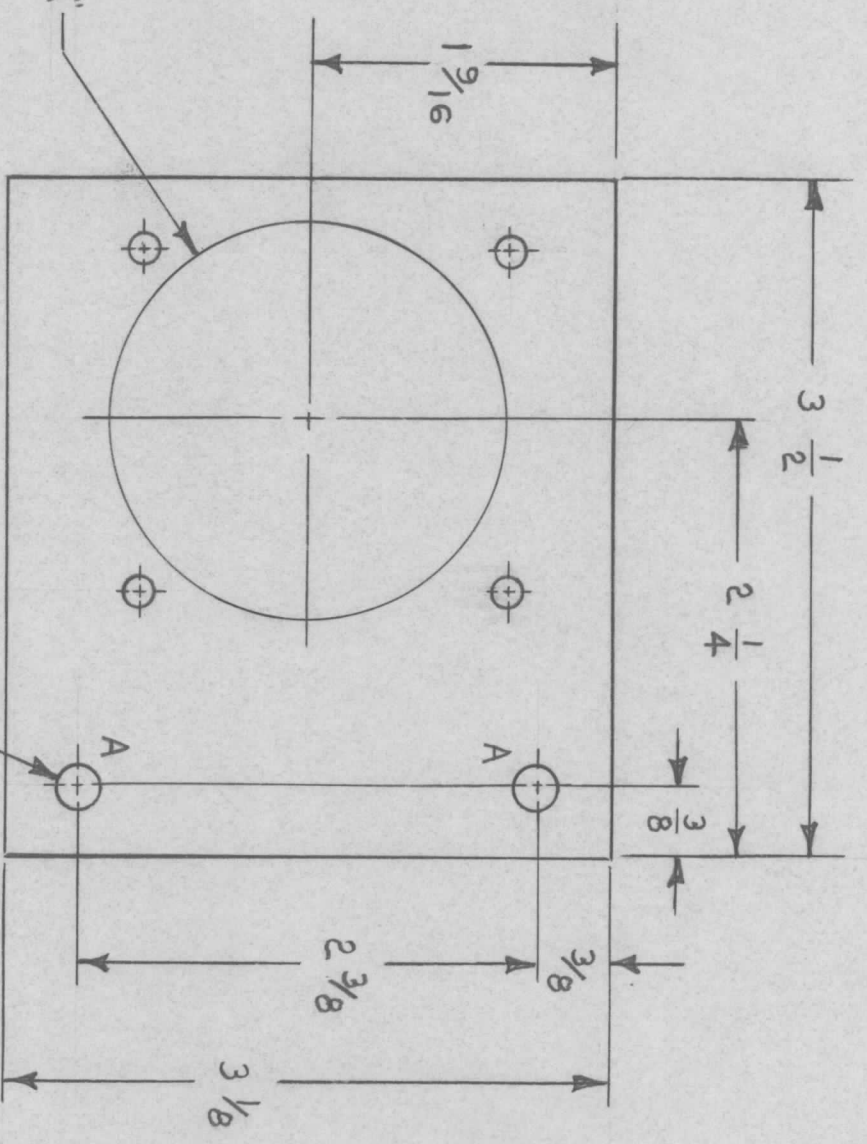
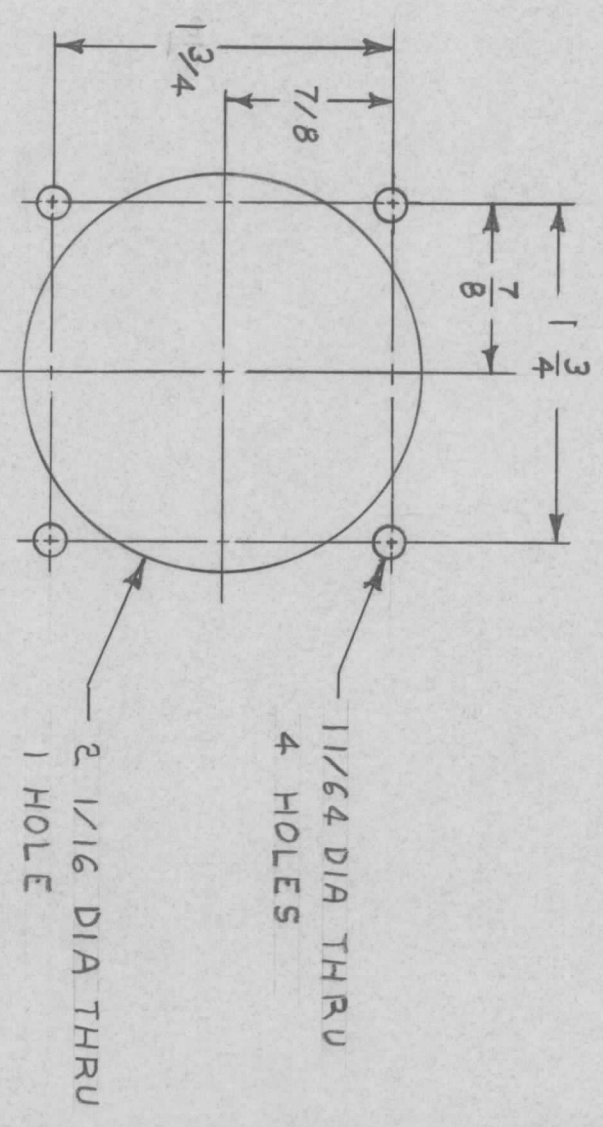


REVISIONS							
ZONE	LTR	DESCRIPTION	DATE	E.M.N.NO	DRAFT	CHKD	APPD
Ø		ORIGINAL RELEASE	11/30/70		Ø		



15/64 DIA THRU
2 HOLES "A"



"A" DETAIL

QTY / UNIT	1	L P F SYSTEM	MODEL USED ON	ASS'Y NO.
APPLICATION				
CODE				

NOTICE TO PERSONS RECEIVING THIS DRAWING
 THE TECHNICAL MATERIEL CORPORATION claims proprietary right in the material disclosed hereon. This drawing is issued in confidence for engineering information only and may not be reproduced or used to manufacture anything shown hereon without permission from THE TECHNICAL MATERIEL CORPORATION to the user. This drawing is loaned for mutual assistance and is subject to recall at any time.

DECIMALS	FRACTIONS
X ± .05	1/64
XX ± .01	TOLS.
XXX ± .005	ANGLES 0° - 30'
MATERIAL 1/8 ALUM	
5052-H32	
FINISH	
S404 YEL. IRIDITE	

FINAL APPROVAL	DATE
MECH. DES.	DATE
ELECT. DES.	DATE
CHECKED	DATE
DRAWN	DATE

LIST OF MATERIAL			
REQ'D ITEM	PART NUMBER	DESCRIPTION	SYM.
F. BUDETTI			
THE TECHNICAL MATERIEL CORP.			
MAMARONECK, NEW YORK			
BRACKET, CONN. MTG.			
SIZE	CODE IDENT. NO.	DWG NO.	ISSUE
B	82679	M55698	Ø
SCALE 1/1	SHEET 1 OF 1		