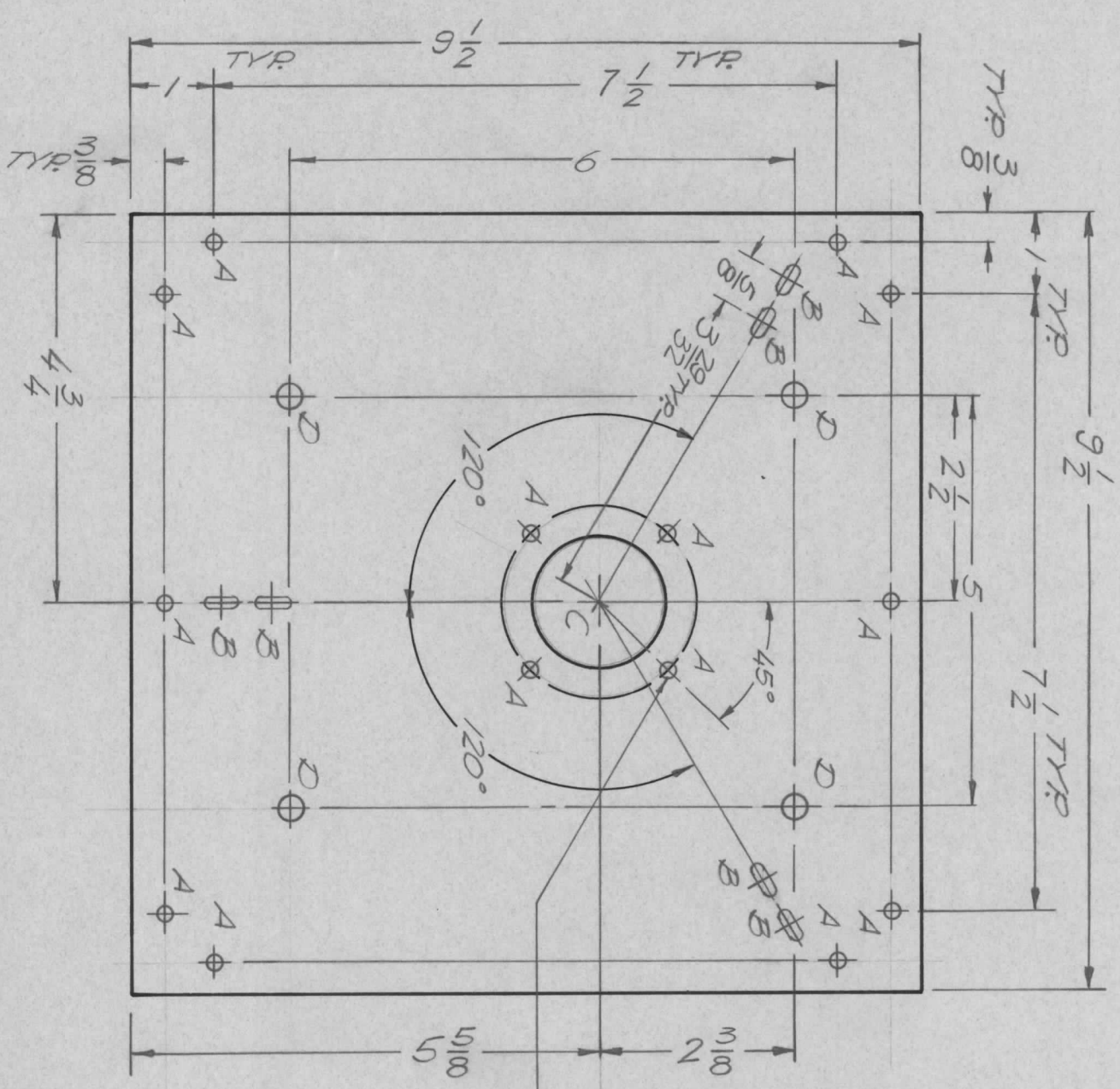


REVISIONS							
ZONE	LTR	DESCRIPTION	DATE	E.M.N. NO	DRAFT	CHKD	APPD
	X	EXP RELEASE	12/28		GE		
	Ø	ORIGINAL RELEASE	1/19/70		Ø		



4 'A' HOLES 90°
APART ON 1/8" RADIUS
AS SHOWN

HOLE	DESCRIPTION	REQ
A	1/364 DIA.	14
B	1/4 X 3/8 SLOT	6
C	1 1/2 DIA.	1
D	1 7/64 DIA.	4

QTY / UNIT	MODEL USED ON	ASS'Y NO.
1	PALA-10K	A 8-145
APPLICATION		
CODE		

NOTICE TO PERSONS RECEIVING THIS DRAWING
THE TECHNICAL MATERIEL CORPORATION claims proprietary right in the material disclosed hereon. This drawing is issued in confidence for engineering information only and may not be reproduced or used to manufacture anything shown hereon without permission from THE TECHNICAL MATERIEL CORPORATION to the user. This drawing is loaned for mutual assistance and is subject to recall at any time.

REQ'D ITEM	PART NUMBER	DESCRIPTION	SYM.
F. BUDETTI			
LIST OF MATERIAL			

FINAL APPROVAL	DATE	THE TECHNICAL MATERIEL CORP.
MECH. DES. ALP.	1-12-70	MAMARONECK, NEW YORK
ELECT. DES.	DATE	
CHECKED	DATE	
DRAWN	DATE	
DRAWN EVANGELIST		

UNLESS OTHERWISE SPECIFIED DIMENSIONS ARE IN INCHES AND INCLUDE CHEMICALLY APPLIED OR PLATED FINISHES	FRACTIONS	1/64
DECIMALS	TOLS.	ANGLES
.X ± .05		0° - 30°
.XX ± .01		
.XXX ± .005		
MATERIAL	5052 H32	
FINISH	S404	
	YEL. IRIDITE	
SIZE	CODE IDENT. NO.	DWG. NO.
B	82679	M55521
SCALE	1/2	
	SHEET	OF
	1	1