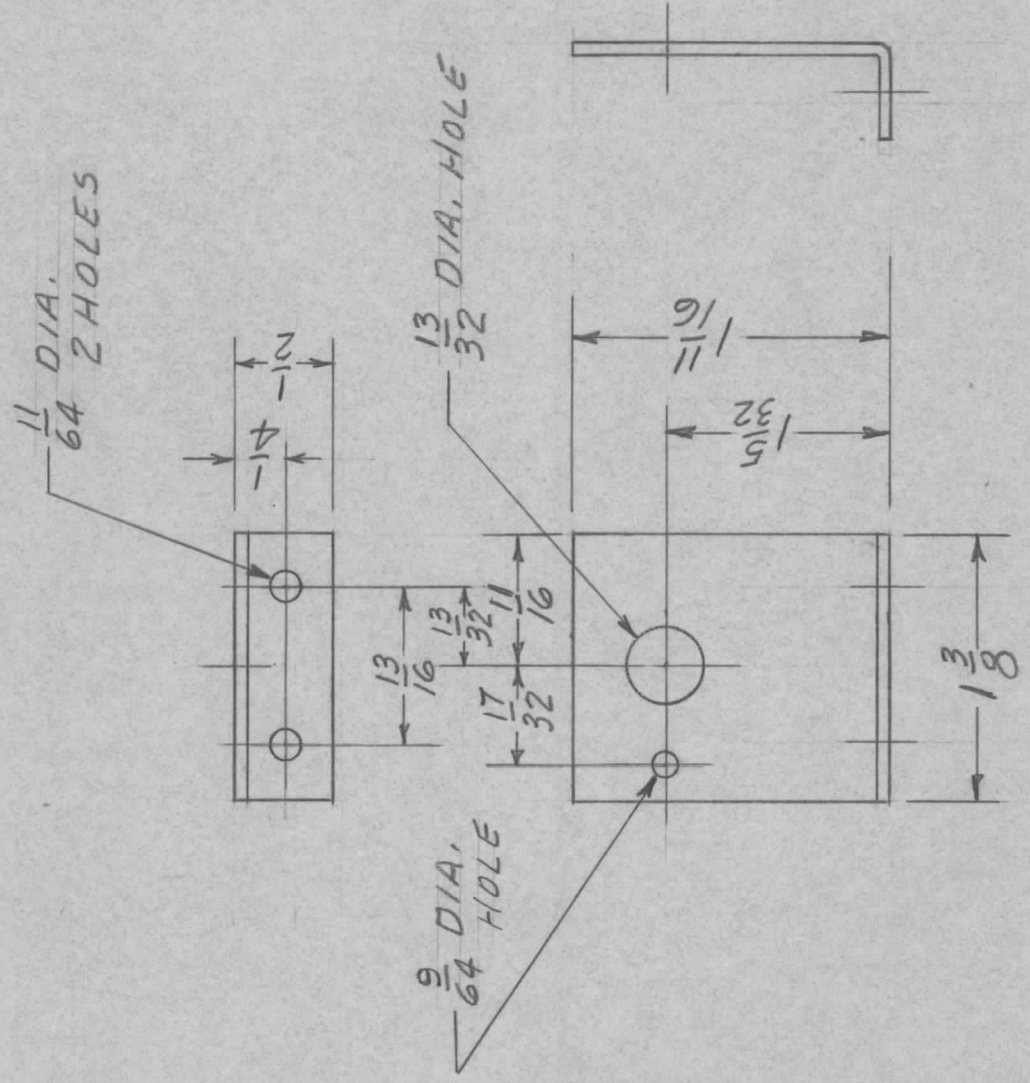


QTY	MODEL USED ON	ASS'Y NO.	LTR	DESCRIPTION	DATE	E.M.N.NO	DRAFT	CHKD	APPD
1	MTRM-150		Ø	ORIG RELEASE FOR PROD	7/17/69		CV		JDA



UNLESS OTHERWISE SPECIFIED DIMENSIONS ARE IN INCHES AND INCLUDE CHEMICALLY APPLIED OR PLATED FINISHES	REQ'D ITEM	PART NUMBER	DESCRIPTION	SYM.
	POSE		LIST OF MATERIAL SK3308 MS33	
DECIMALS	FINAL APPROVAL	DATE	THE TECHNICAL MATERIEL CORP. MAMARONECK, NEW YORK	
.X ± .05 TOLS. 1/64	<i>[Signature]</i>	9/17/69		
.XX ± .01 ANGLES 0°-30'	MECH. DES.	DATE	SWITCH BRACKET	
.XXX ± .005	<i>[Signature]</i>	7/18/69		
MATERIAL .063 ALUM. 5052 H32	ELECT. DES.	DATE	SCALE	
FINISH	<i>[Signature]</i>	7/17/69		
5404 YEL. IRIDITE	CHECKED	DATE		
	DRAWN	DATE	SIZE	
	<i>[Signature]</i>	1-30-69	A	
			CODE IDENT. NO.	
			82679	
			DWG NO.	
			M5 5471	
			SHEET	
			OF	

NOTICE TO PERSONS RECEIVING THIS DRAWING

THE TECHNICAL MATERIEL CORPORATION claims proprietary right in the material disclosed hereon. This drawing is issued in confidence for engineering information only and may not be reproduced or used to manufacture anything shown hereon without permission from THE TECHNICAL MATERIEL CORPORATION to the user. This drawing is loaned for mutual assistance and is subject to recall at any time.