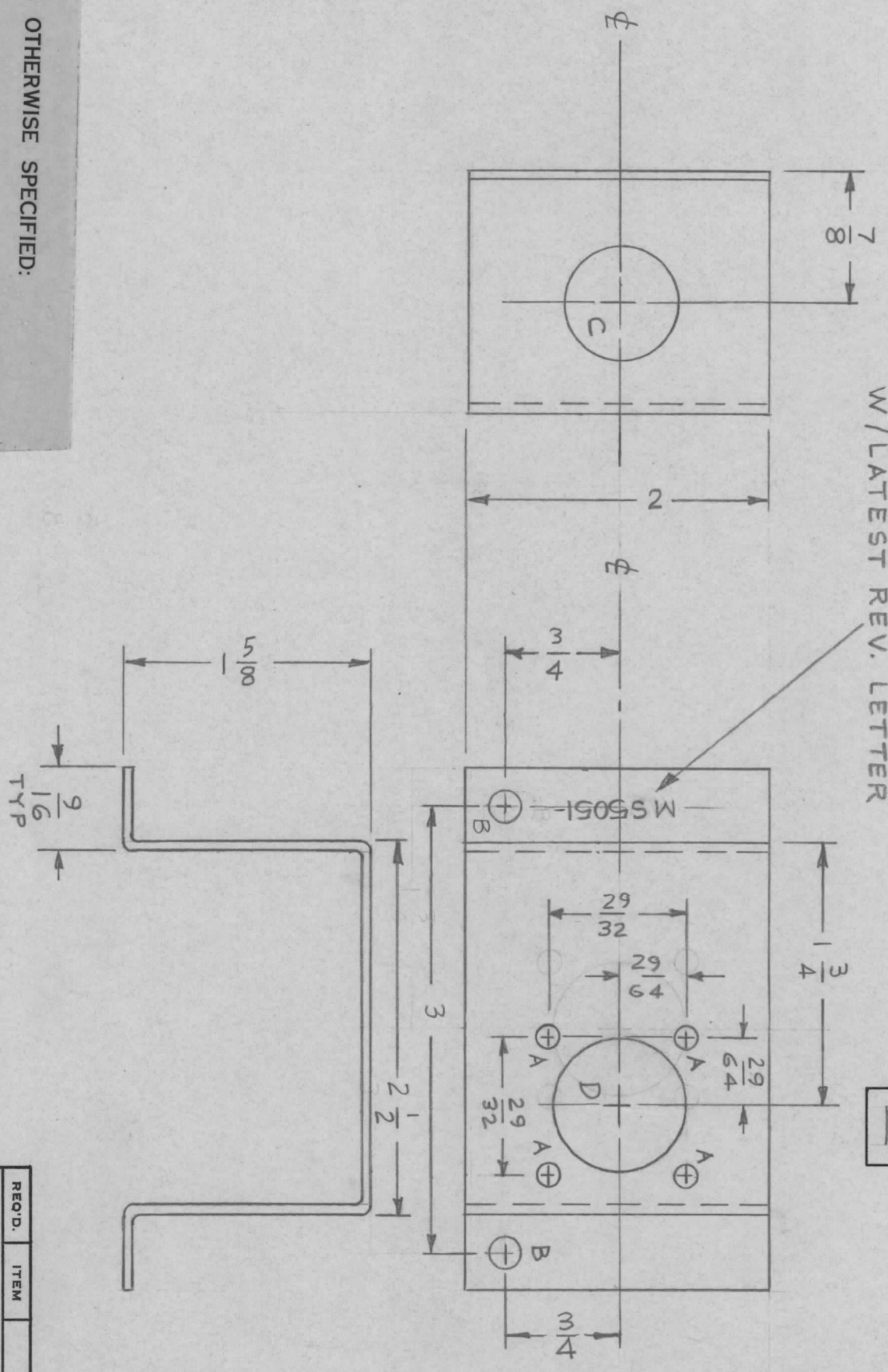


REVISIONS		DATE	E.M.N. NO.	DRAFT	CHKD	APPD
X	EXP RELEASE	8-26-64	X	JBC	JBC	JBC
Q	ORIGINAL RELEASE FOR PRODUCTION	12.1.66		WFO	JBC	JBC

MARK TMC P/N 1/8 HIGH GOTHIC  
W/LATEST REV. LETTER

MS5051



HOLE	DESCRIPTION	REQ.
A	5/32 DIA	4
B	13/64 DIA	2
C	3/4 DIA	1
D	7/8 DIA	1

REF: LD2153

- UNLESS OTHERWISE SPECIFIED:
1. USE MATERIAL THICKNESS FOR MAXIMUM RADIUS ON ALL BENDS
  2. ALL ANGULAR BENDS 90 DEGREES
  3. REMOVE ALL BURRS AND SHARP EDGES

QTY./UNIT	RAK 110-2	MODEL USED ON	BMA157	ASS'Y. NO.
SCALE	1:1	CODE	A	

THE CONTENTS OF THIS DRAWING ARE THE EXCLUSIVE PROPERTY OF THE TECHNICAL MATERIEL CORP. ITS UNAUTHORIZED USE OR REPRODUCTION IN WHOLE OR IN PART IS STRICTLY FORBIDDEN.

REQ'D.	ITEM	PART NUMBER	DESCRIPTION	SYMBOL
	BUDETTI			
	MATERIAL	.064 THK. ALUM.		
		5052-H32		
	FINISH	YELLOW IRIDITE		
		S404		

THE TECHNICAL MATERIEL CORP.  
MAMARONECK, NEW YORK

TITLE  
BRACKET, FAN CAPACITOR

UNLESS OTHERWISE SPECIFIED DIMENSIONS ARE IN INCHES AND INCLUDE CHEMICALLY APPLIED OR PLATED FINISHES	DECIMALS	TOLERANCES	FRACTIONS
	.X ± .05		± 1/64
	.XX ± .01		ANGLES ± 0° 30'
	.XXX ± .005		

DRAWN	JBC	DATE	8-26-64	FINAL APPROVAL	DATE
CHECKED	JBC	DATE			
ELECT. DES.	JBC	DATE	1/26/66		
MECH. DES.	JBC	DATE			

MS5051