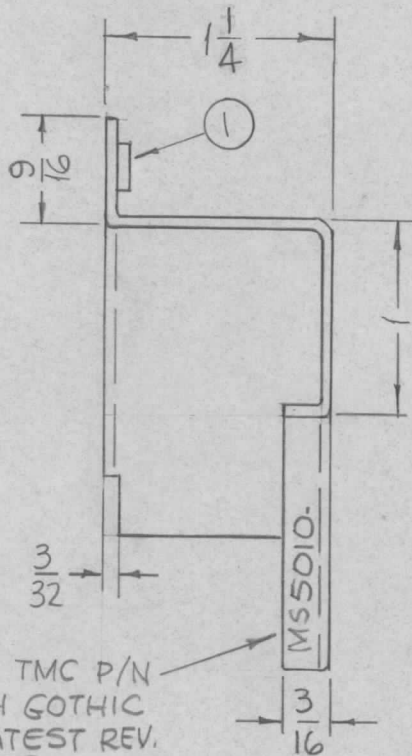


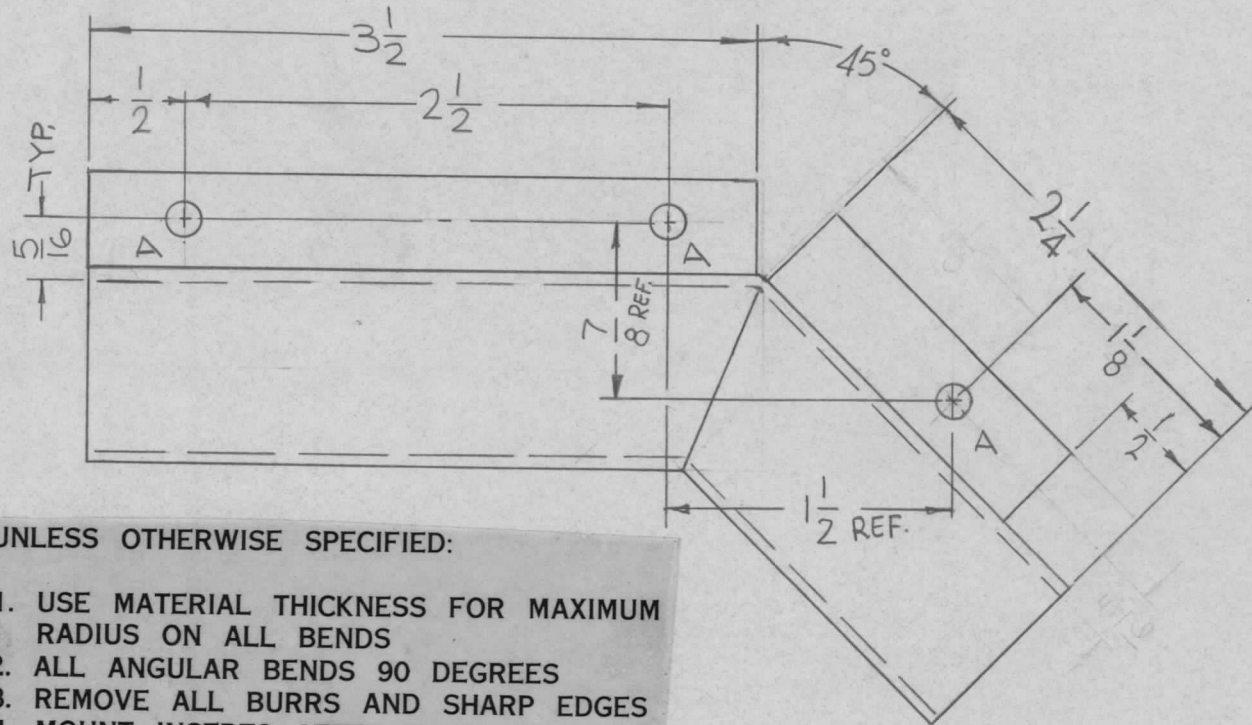
REQ. PER UNIT	USED ON			MS5010	⊕
	MODEL	ASS'Y. NO.	DATE		
1	TLAA-2.5K	A5495	7-13-66		

HOLES:

A- .191-.194 DIA. (3REQ.)



MARK TMC P/N
1/8" HIGH GOTHIC
W/LATEST REV.
LETTER.



UNLESS OTHERWISE SPECIFIED:

1. USE MATERIAL THICKNESS FOR MAXIMUM RADIUS ON ALL BENDS
2. ALL ANGULAR BENDS 90 DEGREES
3. REMOVE ALL BURRS AND SHARP EDGES
4. MOUNT INSERTS AFTER FINISHING

				3	1	NT129-632-3	NUT, PLAIN SPLINE				
				REQ. ITEM	PART NO.		F. BUDETTI	DESCRIPTION	SYMBOL		
⊕	ORIGINAL RELEASE FOR PRODUCTION			11.11.66	⊕	wfw	.051 THICK				
X1	3/16 WAS 1/4, 1/2 WAS 1/2, .051 WAS .062			9-21-66	X1	DRK	THE TECHNICAL MATERIEL CORP. MAMARONECK, NEW YORK				
X	EXP. RELEASE			7-13-66	X	MS	ALUMINUM				
				MATERIAL		SHIELD, CABLE					
UNLESS OTHERWISE SPECIFIED DIMENSIONS ARE IN INCHES AND INCLUDE CHEMICALLY APPLIED OR PLATED FINISHES				SCALE 1:1		5052-H32					
				TYPE & TEMPER		HEAT TREAT. SPEC.	DRAWN	CHECKED	FINAL APPROVAL		
DECIMALS .X ± .05 .XX ± .01 .XXX ± .005				TOLERANCES				5404 YEL. IRIDITE		MS5010 ⊕	
FRACTIONS ± 1/64 ANGLES ± 0° 30'				CODE A		FINISH & SPEC. NO.		ELEC. DES. APP.	MECH. DES. APP.		