

IF IT IS FOUND DESIRABLE TO CHANGE ANY TOLERANCE OR OTHER DETAIL SPECIFIED ON THIS DRAWING NOTIFY THE PURCHASER PROMPTLY.

STANDARD DRAWING

MC-117

MAXIMUM ALLOWABLE TOLERANCES HAVE BEEN DETERMINED AND DEVIATIONS WILL BE CAUSE FOR REJECTION. REMOVE ALL BURRS AND SHARP EDGES

USED ON

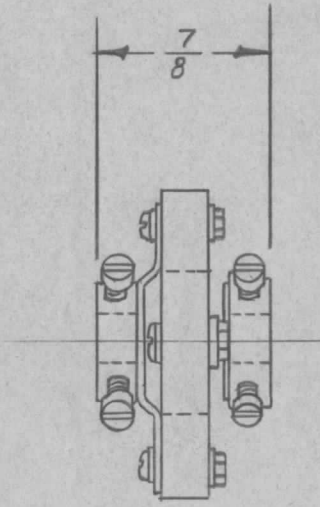
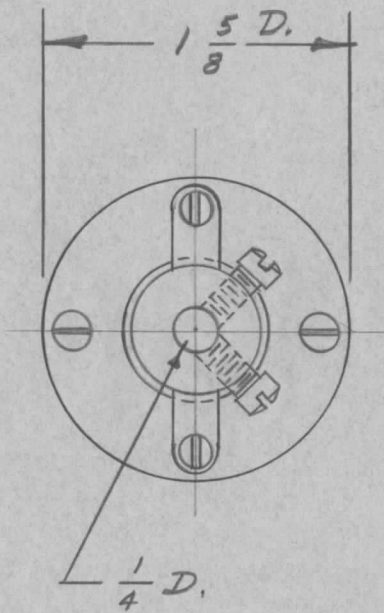
ANT. REF. UNIT

MODEL

PROJECT NO.

ASS'Y. NO.

DATE



INSULATOR - CERAMIC - GRADE L-3
JAN-I-10

REF: NATIONAL CO. INC. #TX-9

| REQ. | ITEM | PART NO. | DESCRIPTION | SYMBOL |
|------|------|--------------------|--|----------------|
| | | <i>//</i> | THE TECHNICAL MATERIEL CORP. MAMARONECK. NEW YORK | |
| | | STOCK SIZE | | |
| | | <i>//</i> | COUPLING, FLEXIBLE | |
| | | MATERIAL | | |
| | | WEIGHT PER PC. | | |
| | | <i>//</i> | | |
| | | TYPE & TEMPER | 16 1-14-54 | |
| | | <i>//</i> | | |
| | | HEAT TREAT. SPEC. | <i>Jade</i> | |
| | | <i>//</i> | | |
| | | FINISH & SPEC. NO. | CHECKED | FINAL APPROVAL |
| | | | | MC-117 |

ISSUE ITEM CHANGED FROM DATE CN. NO. DRAFTS CHECKER ENG. APP.

TOLERANCES

SCALE *//*

DRILL, PUNCH, COMMERCIAL STOCK SIZES AND MANUFACTURERS TOLERANCES ARE NOT INCLUDED.

ALL OTHERS
DEC. DIM. \pm
FRAC. DIM. \pm
ANGULAR DIM. \pm