

APPLICATION

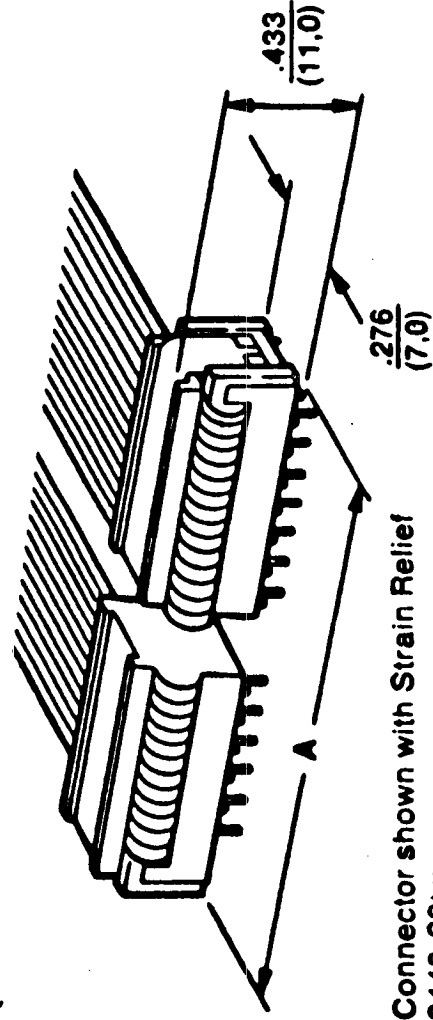
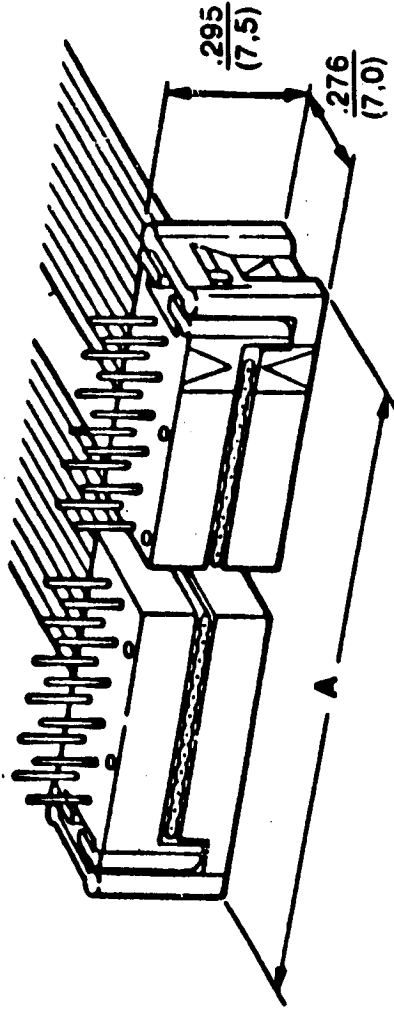
REVISIONS

QTY	MODEL USED ON	ASS'Y NO.	LTR	DESCRIPTION	DATE	E.M.N.NO	DRAFT	CHKC	APPD
2	MMX-4	A5845							

2-Row Version

.100" X .100" (2,54 mm X 2,54 mm)

(For flat cable with .050" [1,27 mm] conductor centers)



Connector shown with Strain Relief
3448-39xx

**Contact
Quantity**

26

MFG Part Number*

3926-000T

Dimension A

1.60 (40.8)

REF 5401-535
UNLESS OTHERWISE SPECIFIED
DIMENSIONS ARE IN INCHES
AND INCLUDE CHEMICALLY APPLIED
OR PLATED FINISHES

DECIMALS FRACTIONS
.X ± .05 TOLS. 1/64
.XX ± .01 ANGLES
.XXX ± .005 ° ± 30'

MATERIAL

FINISH

REQ'D ITEM	PART NUMBER	DESCRIPTION	SYM.
LIST OF MATERIAL			
FINAL APPROVAL	DATE	THE TECHNICAL MATERIEL CORP. MAMARONECK, NEW YORK <i>CONNECTORS, P.C.B.</i> <i>TO RIBBON CABLE</i>	
MECH. DES.	DATE		
ELECT. DES.	DATE		
CHECKED	DATE		
DRAWN	DATE		

THE TECHNICAL MATERIEL CORP.

MAMARONECK, NEW YORK

CONNECTORS, P.C.B.
TO RIBBON CABLE

NOTICE TO PERSONS RECEIVING THIS DRAWING
THE TECHNICAL MATERIEL CORPORATION claims proprietary right in the material disclosed hereon. This drawing is issued in confidence for engineering information only and may not be reproduced or used to manufacture anything shown hereon without permission from THE TECHNICAL MATERIEL CORPORATION to the user. This drawing is loaned for mutual assistance and is subject to recall at any time.

SIZE
A

CODE IDENT. NO.

82679

DWG NO.

JJ362

ISSUE

0

SCALE

SHEET

OF