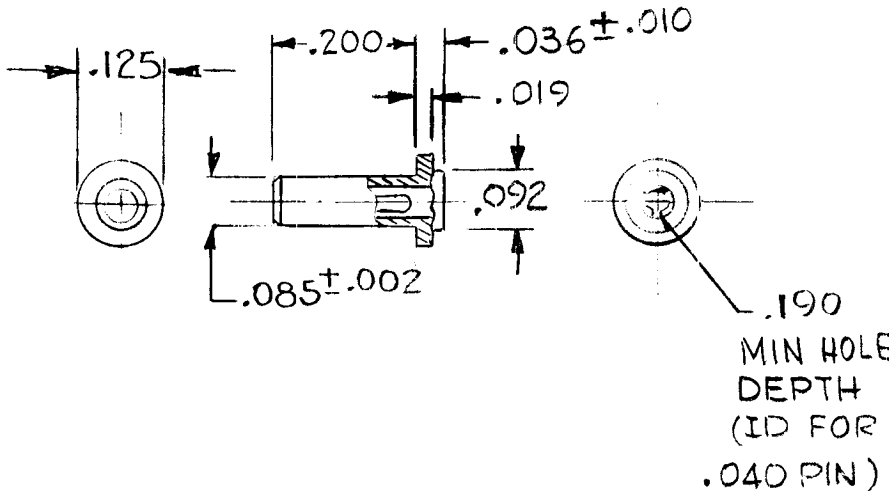
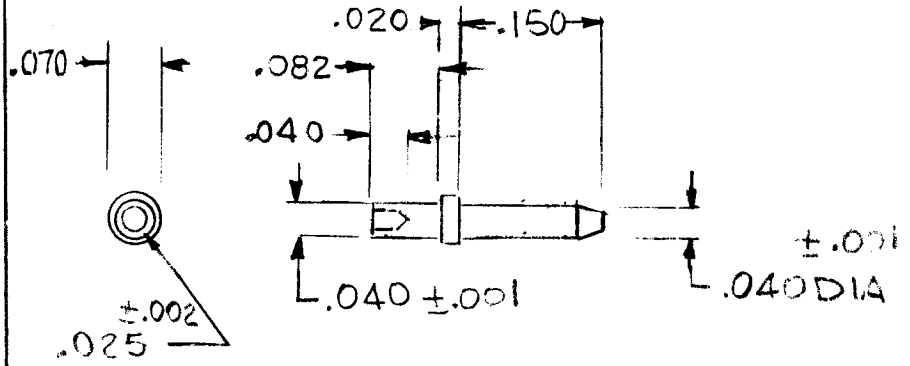


REQ. PER UNIT	USED ON			JJ 357	X
	MODEL	ASS'Y. NO.	DATE		
	GPR-110	45645/46	1-4-77		
			1-9-77		



JJ 357-2

MFG. P/NO. 450-3388-01-03



JJ 357-1

MFG. P/NO. 460-2971-02

REQ.	ITEM	PART NO.	DESCRIPTION				SYMBOL			
			TMC INDUSTRIAL CORP. MAMARONECK, NEW YORK							
			CONNECTORS PIN & JACK							
			MATERIAL							
			GDL				OR			
			SCALE: S401-CAMBION							
			MAXIMUM ALLOWABLE TOLERANCES HAVE BEEN DETERMINED AND ANY DEVIATIONS WILL BE CAUSE FOR REJECTION. REMOVE ALL BURRS AND SHARP EDGES							
			TYPE & TEMPER		HEAT TREAT. SPEC.		DRAWN	CHECKED	FINAL APPROVAL	
			FINISH & SPEC. NO.		ELEC. DES. APP.		MECH. DES. APP.		JJ 357	