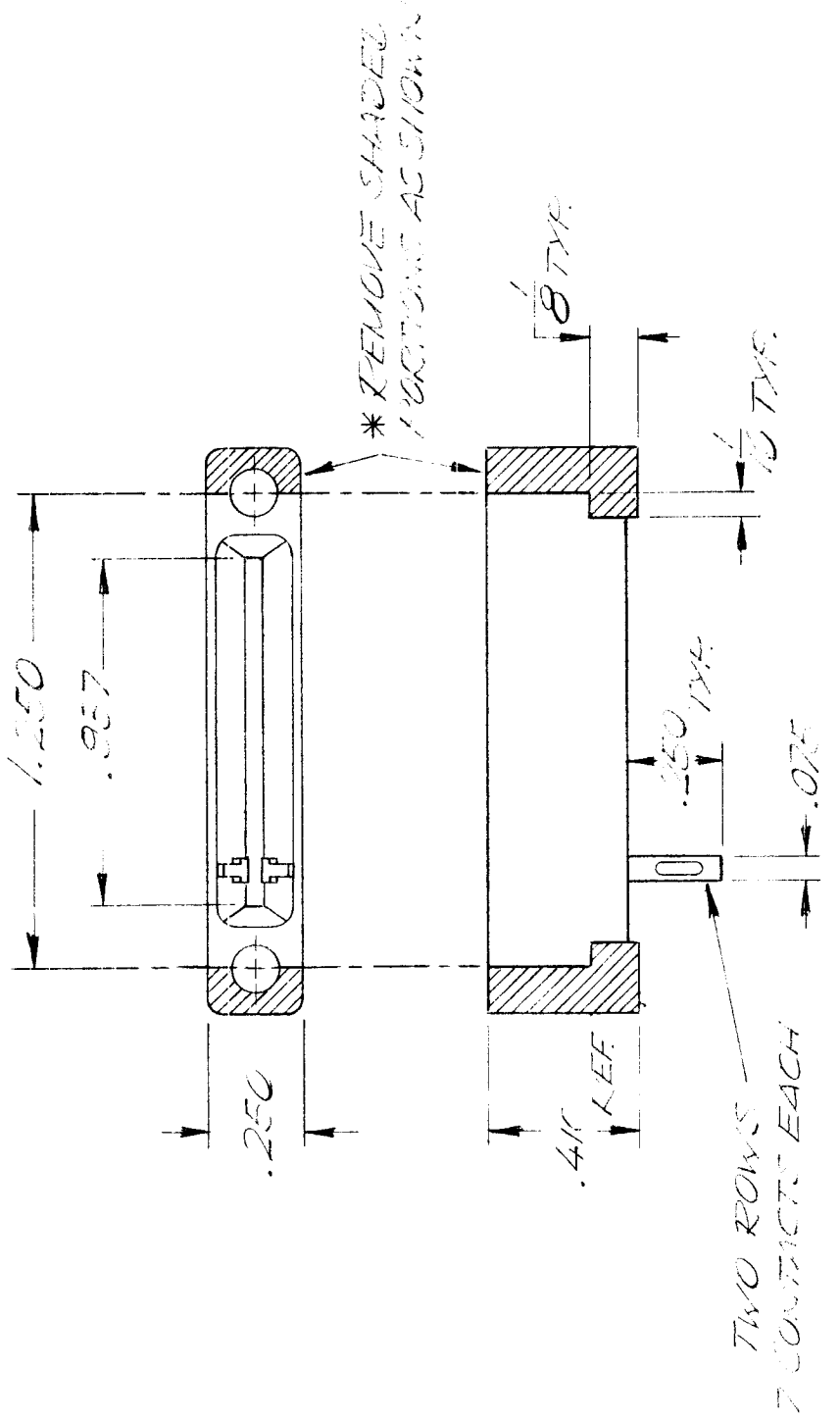


APPLICATION				REVISIONS					
QTY	MODEL USED ON	ASS'Y NO.	LTR	DESCRIPTION	DATE	E.M.N.NO	DRAFT	CHKD	APPD
9	RT14-3		X	EXP RELEASE	6/17/70		CH	WAB	
0			0	ORIG RELEASE FOR PROD	6/17/70		CV		



REQ'D	ITEM	PART NUMBER	DESCRIPTION	SYM.
LIST OF MATERIAL				
THE TECHNICAL MATERIEL CORP. MAMARONECK, NEW YORK				
CONNECTOR PLACES FLAME				

FINAL APPROVAL <i>R. Marano</i>	DATE 6-5-70
MECH DES. <i>R. V. 380</i>	DATE 6-5-70
ELECT. DES.	DATE
CHECKED <i>[Signature]</i>	DATE 6-3-70
DRAWN <i>[Signature]</i>	DATE 6/17/70

NOTICE TO PERSONS RECEIVING THIS DRAWING
 THE TECHNICAL MATERIEL CORPORATION claims proprietary right in the material disclosed hereon. This drawing is issued in confidence for engineering information only and may not be reproduced or used to manufacture anything shown hereon without permission from THE TECHNICAL MATERIEL CORPORATION to the user. This drawing is loaned for mutual assistance and is subject to recall at any time.

SIZE A	CODE IDENT. NO. 82679	DWG NO. TJ 350	ISSUE 0
SCALE 2:1	SHEET 2:1	OF	