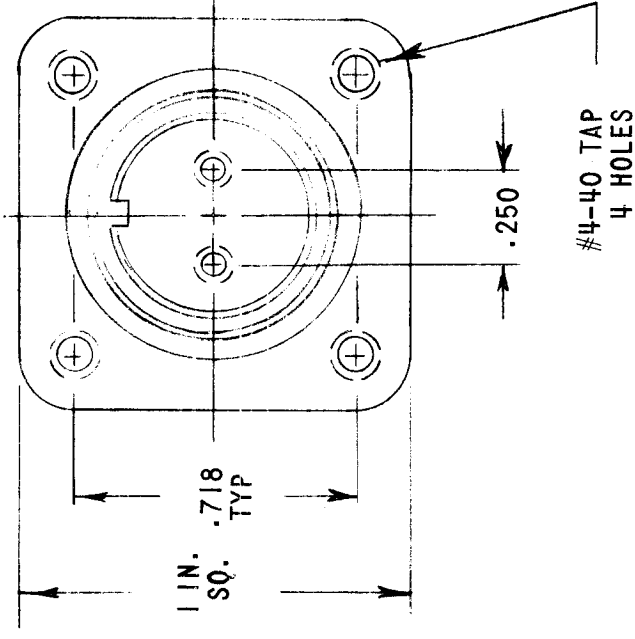
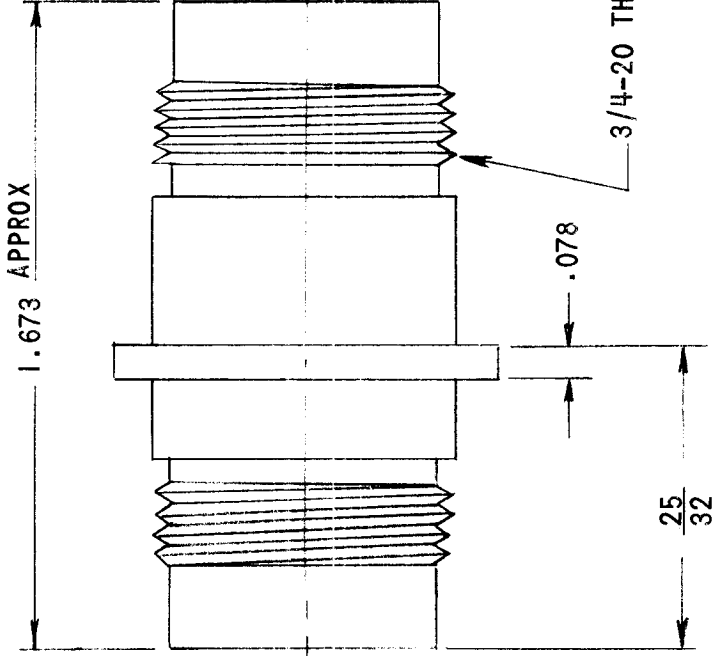


APPLICATION			REVISIONS						
QTY	MODEL USED ON	ASS'Y NO.	LTR	DESCRIPTION	DATE	E.M.N.NO	DRAFT	CHKD	APPD
	STANDARD		X	EXP. RELEASE	1.17.68	-	NS		<i>NS</i>
			Ø	ORIG. RELEASE FOR PROD.	1/23/68	0	C.V.		<i>NS</i>

MATERIALS: CONTACTS, FEMALE (2) BERYLLIUM COPPER  
 ALL OTHER METAL PARTS: BRASS  
 DIELECTRIC: REXOLITE

FINISH: ALL METAL PARTS 0.0002" - 0.0003" SILVER PLATING



UNLESS OTHERWISE SPECIFIED DIMENSIONS ARE IN INCHES AND INCLUDE CHEMICALLY APPLIED OR PLATED FINISHES	REQ'D ITEM	PART NUMBER	DESCRIPTION	SYM.
DECIMALS	A. MARTINENGO LIST OF MATERIAL			
FRACTIONS				
.X ± .05 TOLS.	FINAL APPROVAL	DATE	THE TECHNICAL MATERIEL CORP.	
.XX ± .01 ANGLES	MECH. DES.	DATE	MAMARONECK, NEW YORK	
.XXX ± .005	ELECT. DES.	DATE	CONNECTOR, RECEPTACLE	
MATERIAL AS NOTED	CHECKED	DATE	SIZE	CODE IDENT. NO.
FINISH AS NOTED	DRAWN	DATE	A	82679
S401-70-(3940)			SCALE	DWG NO.
			—	JJ 339
				SHEET
				OF

NOTICE TO PERSONS RECEIVING THIS DRAWING  
 THE TECHNICAL MATERIEL CORPORATION claims proprietary right in the material disclosed hereon. This drawing is issued in confidence for engineering information only and may not be reproduced or used to manufacture anything shown hereon without permission from THE TECHNICAL MATERIEL CORPORATION to the user. This drawing is loaned for mutual assistance and is subject to recall at any time.