

REQ. PER UNIT	USED ON			JJ 330	Ø
	MODEL	ASS'Y. NO.	DATE		
	JDP-7B4X11		1/24/66		

SPECIFICATIONS

SERIES - UHF (F) TO BNC (F)
 NO. OF CONTACTS - ONE EACH END
 TYPE OF CONTACT - FEMALE
 DIELECTRIC - TEFLON

ELECTRICAL DATA

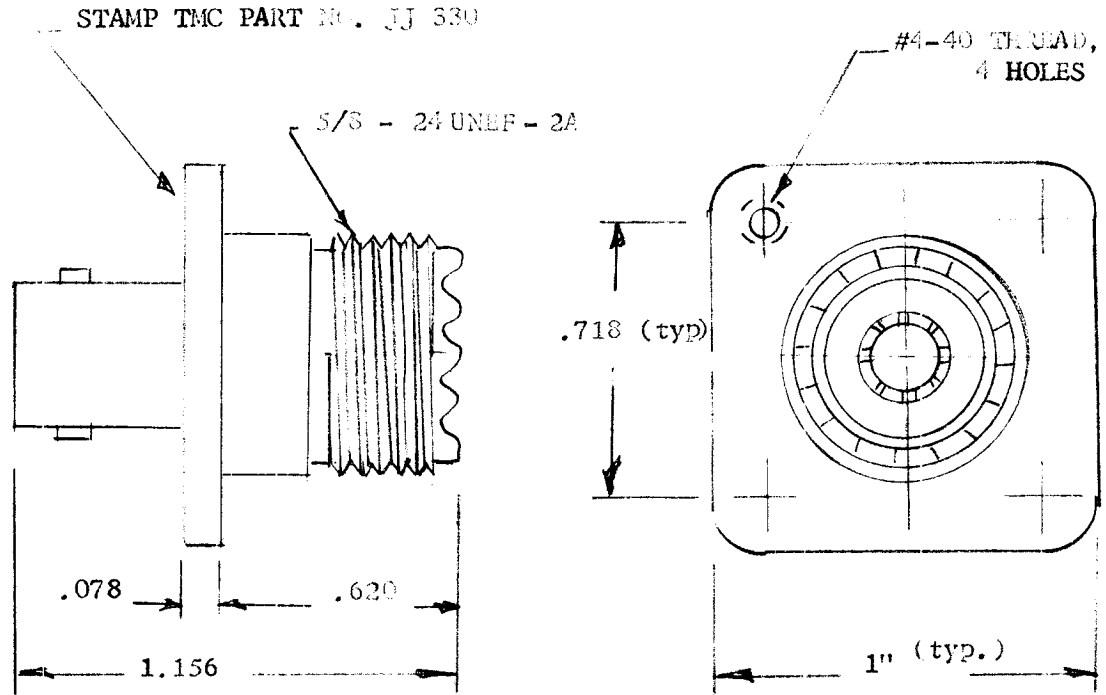
MAX. PEAK VOLT. - 500 VOLTS
 NOM. IMPEDANCE - 50 OHMS

MATERIALS

EXTERNAL PARTS - BRASS
 CONTACT - BERYLLIUM COPPER
 DIELECTRIC - TEFLON

FINISHES

EXTERNAL PART - SILVER PLATED & RHODIUM FLASHED
 CONTACT - SILVER PLATED & GOLD FLASHED



REQ.	ITEM	PART NO.	DESCRIPTION				SYMBOL	
			THE TECHNICAL MATERIEL CORP. MAMARONECK. NEW YORK					
			CONNECTOR, ADAPTER, BNC TO UHF					
Ø	ORIGINAL RELEASE FOR PRODUCTION	1/25/66	HKA					
SYM	DESCRIPTION	DATE	CH. NO.	DRAFTS	CHECKER	ENG. APP.	MATERIAL	
UNLESS OTHERWISE SPECIFIED DIMENSIONS ARE IN INCHES AND INCLUDE CHEMICALLY APPLIED OR PLATED FINISHES		SCALE	None					
DECIMALS .X ± .05 .XX ± .01 .XXX ± .005	TOLERANCES	FRACTIONS ± 1/64 ANGLES ± 0° 30'	CODE	S 401-70-3920				
FINISH & SPEC. NO.		ELEC. DES. APP.	MECH. DES. APP.		FINAL APPROVAL			
					OCTAVIO [Signature]			
					JJ 330			

1/29/66