

STANDARD DRAWING

TMC P/N	MFG P/N RECEPTACLE	NO. OF CONT.	A MAX.	B	C MAX.	D MAX.	E	TMC HOOD NO.	MATES WITH
JJ310-1*	17-60150-1	15	1.567	1.312	.515	13/32	1-21/64	HO100-1	JJ313-1
JJ310-2*	17-60250-1	25	2.109	1.852	.515	19/32	1-23/64	HO100-2	JJ313-2
JJ310-3*	17-60370-1	37	2.754	2.500	.515	23/32	1-23/64	HO100-3	JJ313-3
JJ310-4*	17-60090-1	9	1.239	.984	.515	13/32	1-21/64	HO100-4	JJ313-4
JJ310-5*	17-60370-6	37	2.754	2.500	.515	23/32	1-23/64	HO100-3	JJ313-3
JJ310-6*	17-60500	50	2.661	2.406	.645	13/16	1-23/64	HO100-5	JJ313-5

REVISIONS					
SYM	DESCRIPTION	DATE	E.M.N. NO.	DRAFT	CHKD APPD
X	EXPERIMENTAL RELEASE	7-27-64		SRG	
Ø	ORIGINAL RELEASE FOR PRODUCTION	9-15-64		JF	
A	CLERICAL CHANGE	11-5-64		JZ	
B	ON DIELECTRIC, "DIALLYL PHTHALATE" WAS "ZYTOL 110" "NOTE: FOR REF. AND..." ADD; ON CHART, MFG. P/N, "17-7..." WAS "17-2..."	11-16-64	12914	JZ	(a)
C	JJ310-5 ADDED.	6-7-65	14-131	JCB	JCB
D	JJ310-6, AND NOTE ADDED	8/16/65	14692	RYV.	JCB JCB

O.C.L.

CONTACT DATA (SEE NOTE)

TYPE: FEMALE
 STYLE: CRIMP PINS REMOVABLE
 CURRENT: 5 AMPS
 VOLTAGE: 500 VRMS
 WIRE SIZE ACCOMODATED: #20 AWG
 MATERIAL: SILNIC BRONZE
 FINISH: GOLD OVER SILVER PLATE

DIELECTRIC: DIALLYL PHTHALATE
 CONNECTOR:
 MATERIAL: STEEL CADMIUM PLATED
 FINISH: CLEAR CHROMATE

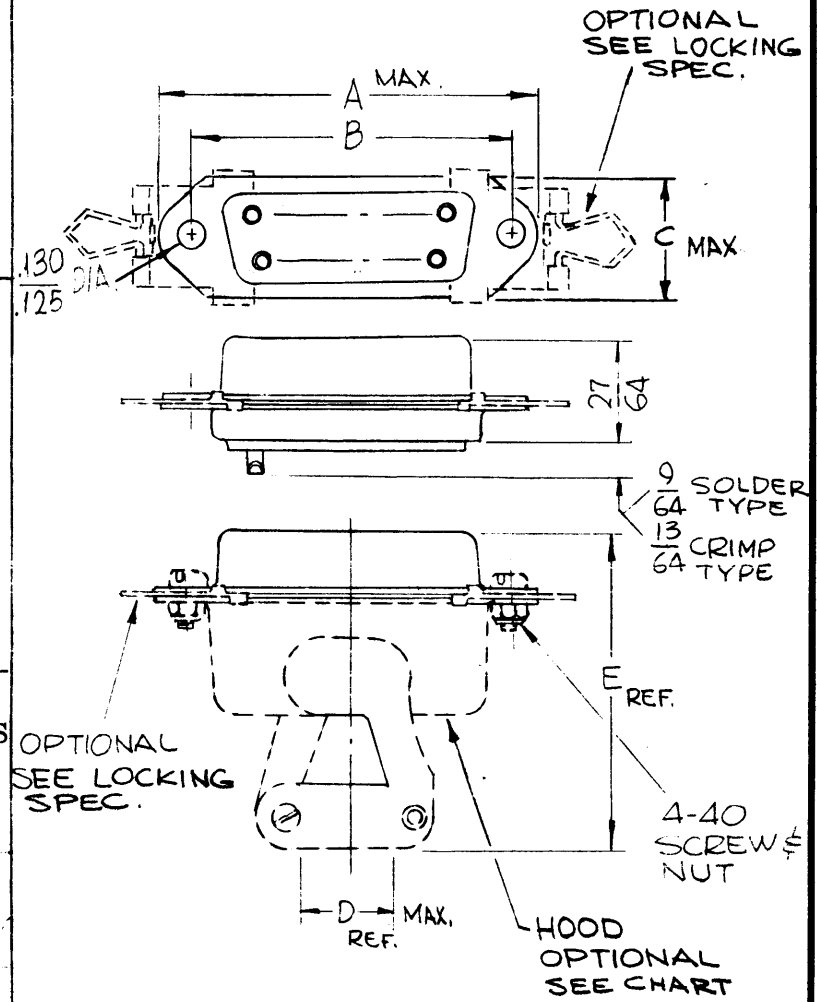
POLARIZATION: CONNECTOR SHAPE

LOCKING: CONNECTOR MAY BE MODIFIED WITH AN FS-125 SPRING LATCH TO PROVIDE LOCKING FEATURE.

PINS ARE TO BE PACKAGED WITH CONNECTOR. WHEN CONNECTOR IS PURCHASED WITH HOOD, RECEPTACLE, HOOD AND PINS MUST BE PACKAGED TOGETHER.
 CRIMP TOOL: 294-91

INSERTION & REMOVAL TOOL: 294-92

NOTE: FOR REF. AND FOR SPARE PARTS PURPOSES THE CONTACT NO. SHALL BE PN119-2.
 HARDWARE IS SUPPLIED ONLY WHEN HOOD IS SPECIFIED.



REQ'D.	ITEM	PART NUMBER	DESCRIPTION	SYMBOL
--------	------	-------------	-------------	--------

F. EATON LIST OF MATERIAL

MATERIAL: SEE SPECS
 FINISH: SEE SPECS
 THE TECHNICAL MATERIEL CORP.
 MAMARONECK, NEW YORK

TITLE: CONNECTOR, RECEPTACLE

UNLESS OTHERWISE SPECIFIED DIMENSIONS ARE IN INCHES AND INCLUDE CHEMICALLY APPLIED OR PLATED FINISHES

DECIMALS: .X ± .05, .XX ± .01, .XXX ± .005
 FRACTIONS: ± 1/64, ± 0° 30'
 TOLERANCES

DRAWN: SRG, DATE: 9-14-64, CHECKED: @, DATE: 9-14-64, ELECT. DES.: SEE X, MECH. DES.: SEE X, SHEET: JJ310, REV. LTR.: D

*H=HOOD
 HF=HOOD&FLOATING BUSHING
 F=FLOATING BUSHING

NOTES

Q'TY./UNIT	MODEL USED ON	ASS'Y. NO.
SCALE: //	CODE: C	S401-71

THE CONTENTS OF THIS DRAWING ARE THE EXCLUSIVE PROPERTY OF THE TECHNICAL MATERIEL CORP. ITS UNAUTHORIZED USE OR REPRODUCTION IN WHOLE OR IN PART IS STRICTLY FORBIDDEN.

STANDARD DRAWING