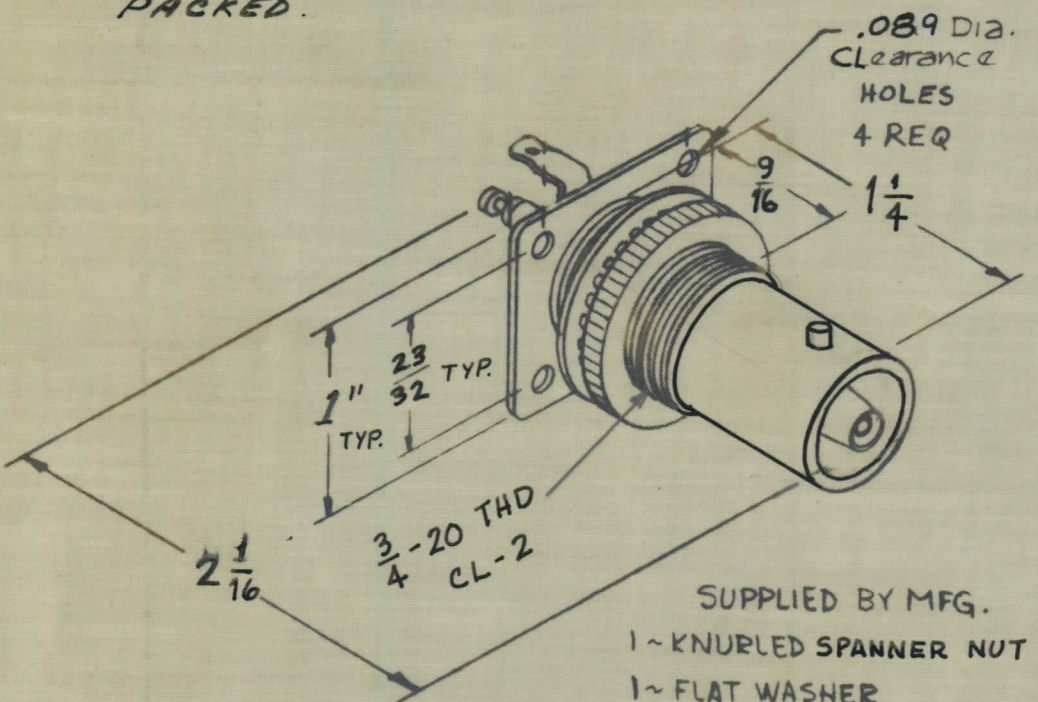


STANDARD DRAWING

NOTE:

- 1, MATING PART IS TMC PL-245 "C" SERIES ONLY. STANDARD UG PLUGS ARE NOT COMPATIBLE.
- 2, CONNECTOR SUPPLIED WITH PLASTIC CAP MOUNTED AND HARDWARE BULK PACKED.



REQ. PER UNIT	USED ON			JJ-309	A
	MODEL	ASS'Y. NO.	DATE		
2	SW-348	A-3547	3-13-64		

SPECIFICATIONS

SERIES ~ C (SWITCH)
 NO. OF CONTACTS ~ ONE (1)
 TYPE OR CONTACT ~ FEMALE
 DIELECTRIC ~ TEFLON

ELECTRICAL DATA

MAX. PEAK VOLT. ~ 5,000
 FREQ. LIMIT. ~ 10,000 MCS
 NOM. IMPEDANCE ~ 50 Ω

MATERIAL

EXTERNAL PARTS ~ BRASS
 CONTACTS ~ BERYLLIUM COPPER

FINISH

EXTERNAL PARTS ~ SILVER PLATE & RHODIUM FLASH.
 CONTACTS ~ SILVER PLATE & GOLD FLASH.

MOVEMENT OF INSULATOR ASSEMBLY FORWARD AT ENGAGEMENT $\frac{1}{16} \pm .000$ TO $.015$.

ISSUE	ITEM	CHANGED FROM	DATE	CH. NO.	DRAFTS	CHECKER	ENG. APP.	REQ.	ITEM	PART NO.	MARTINENCO DESCRIPTION	SYMBOL					
A.	+	NOTE 2 ADDED	2/29/64	15472	A.V.V.	JTB	QC				THE TECHNICAL MATERIEL CORP. MAMARONECK, NEW YORK						
○		ORIGINAL RELEASE FOR PRODUCTION	4/15/64								CONNECTOR, RECEPTACLE SWITCH TYPE "C"						
TOLERANCES		SCALE: S-401-70 (2978)		MATERIAL		M.TANTILLO		TYPE & TEMPER		HEAT TREAT. SPEC.		DRAWN		CHECKED		FINAL APPROVAL	
DEC. DIM. ±		MAXIMUM ALLOWABLE TOLERANCES HAVE BEEN DETERMINED AND ANY DEVIATIONS WILL BE CAUSE FOR REJECTION. REMOVE ALL BURRS AND SHARP EDGES		FINISH & SPEC. NO.		ELEC. DES. APP.		MECH. DES. APP.		JJ-309		A					