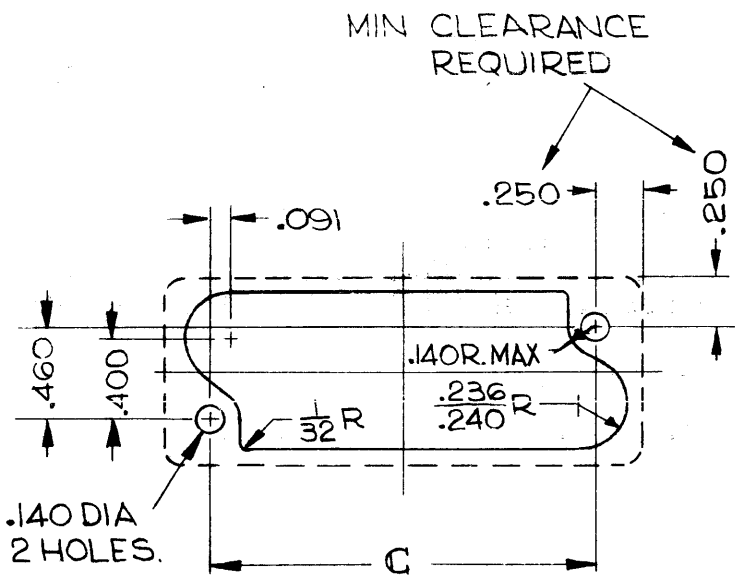
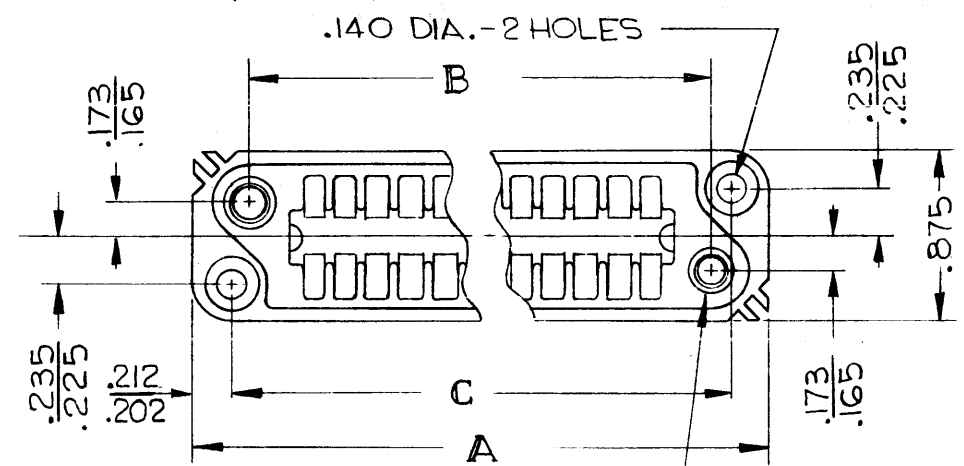


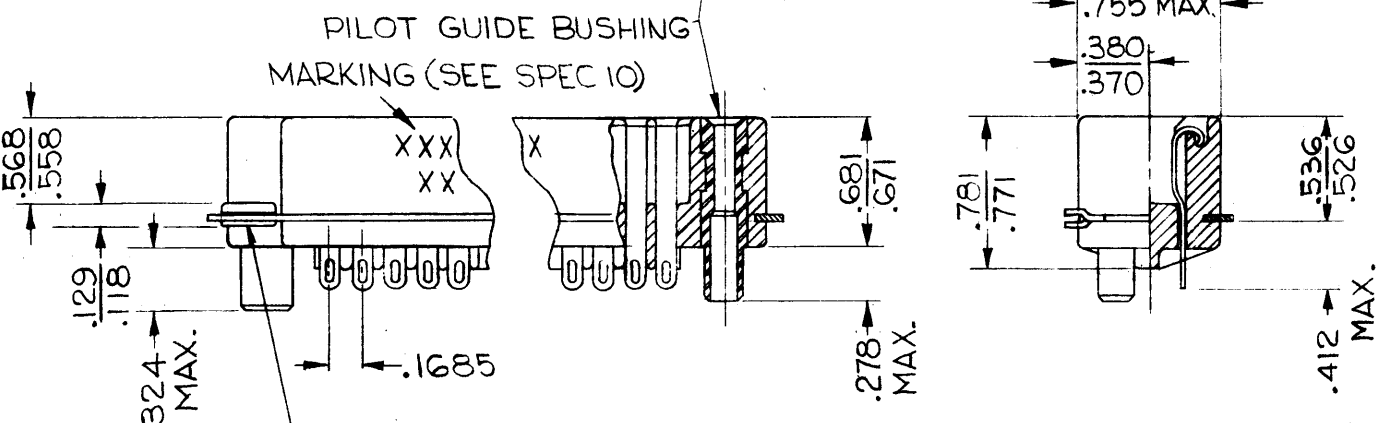
JJ-295

THE CONTENTS OF THIS DRAWING ARE THE EXCLUSIVE PROPERTY OF THE TECHNICAL MATERIEL CORP. ITS UNAUTHORIZED USE OR REPRODUCTION IN WHOLE OR IN PART IS STRICTLY FORBIDDEN.

TMC PART NO.	NO. OF CONTACTS	DIMENSIONS		
		A	B	C
JJ-295-1	24	3-1/8	2.522	2.704



RECOMMENDED MOUNTING LAYOUT (VIEWED FROM CONNECTING END OF CONNECTOR)



SPECIFICATIONS

- NUMBER OF CONTACTS: SEE CHART
- MATING ENDS: 1
- CONTACT DATA:
 - ALL CONTACTS IDENTICAL
 - POLARITY: FEMALE
 - STYLE: FLAT
 - CURRENT RATING: 5 AMPS
 - DCV: 750 V
 - ACV: NOT RATED
 - MATERIAL: PHOSPHOR BRONZE
 - FINISH: GOLD PLATE
- DIELECTRIC: DIALYL PHTHALATE (BLUE)
- POLARIZATION:
 - TYPE: GUIDE PINS (LARGE AND SMALL)
- LOCKING FEATURES: NONE
- CABLE ACCOMMODATIONS: TERMINALS ACCEPT SIZE 16 STRANDED WIRE
- MOUNTING PLATE:
 - CONSTRUCTION: MOULDED INTO DIEL. BODY.
 - MATERIAL: STAINLESS STEEL
 - FINISH: PASSIVATED
- MATING CONNECTOR: TMC NO. JJ-296
- MARKING: STAMP WITH TMC PART NO.

SYM	DESCRIPTION	DATE	CH. NO.	DRAFTS	CHECKER	ENG. APP.
A	NOTE 10 WAS SIDE OF CONN BODY SHALL BE STAMPED WHT FILL W/ TMC P/N	12.12.66	17445	WHD	JCS	[Signature]

UNLESS OTHERWISE SPECIFIED:
 DIMENSIONS ARE IN INCHES
 TOLERANCES ON FRACTIONS ± 1/64 DECIMALS ± .005 ANGLES ± 1/2°

SCALE: 5401-71 (26-190)
 MAXIMUM ALLOWABLE TOLERANCES HAVE BEEN DETERMINED AND ANY DEVIATIONS WILL BE CAUSE FOR REJECTION. REMOVE ALL BURRS AND SHARP EDGES

REQ. PER UNIT	MODEL	SECTION	ASS'Y. NO.	DATE
1	TTR-10		CA-789	6-11-63

REQ. ITEM	PART NO.	DESCRIPTION	SYMBOL
		THE TECHNICAL MATERIEL CORP. MAMARONECK, NEW YORK	
	SEE SPEC # 8 B	CONNECTOR, RECEPTACLE, FEMALE	
		RIBBON TYPE, FLOAT MOUNTED	
		R. Kohn 7-18-63 M. Pete B.P.	
		TYPE & TEMPER HEAT TREAT. SPEC. DRAWN CHECKED FINAL APPROVAL	
		SEE SPEC # 8 C FINISH & SPEC. NO.	
		Ron Kohn 7-18-63 ELEC. DES. APP. MECH. DES. APP.	JJ-295 A