

THE CONTENTS OF THIS DRAWING ARE THE EXCLUSIVE PROPERTY OF THE TECHNICAL MATERIEL CORP. ITS UNAUTHORIZED USE FOR REPRODUCTION IN WHOLE OR IN PART IS STRICTLY FORBIDDEN.

REQ. PER UNIT

MODEL

USED ON

ASS'Y. NO.

DATE

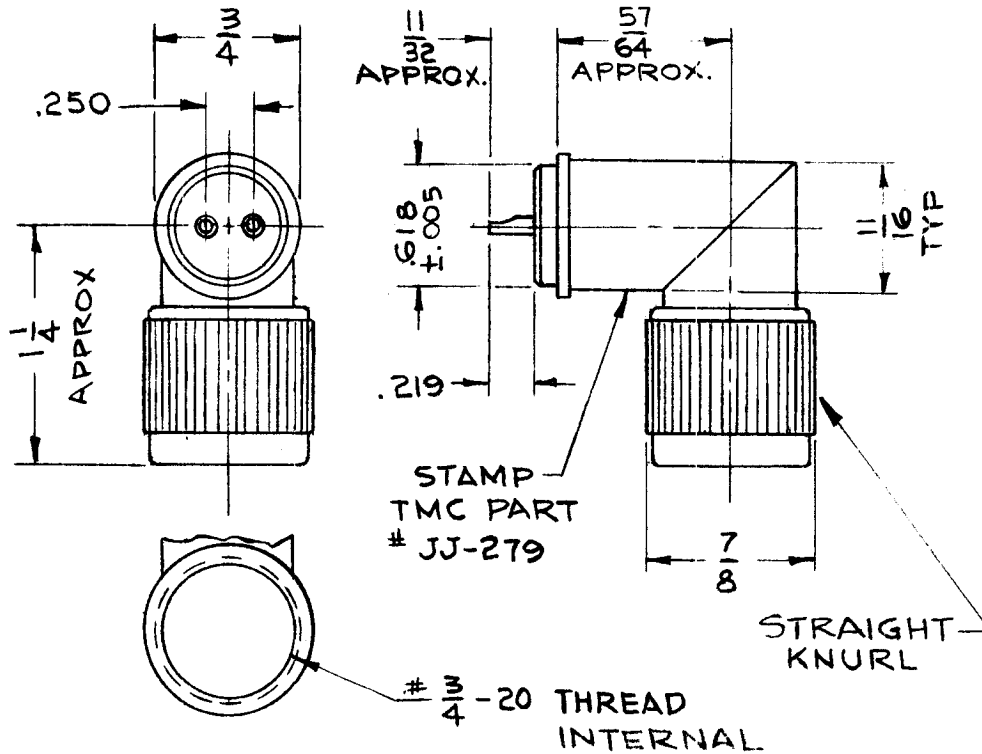
JJ-279

1

RBT-6

A-3117

2-13-63



SPECIFICATIONS:

Series - Twin (small)
 No. of Contacts - Two (2)
 Type of Contact - Male
 Dielectric - Rexolite

ELECTRICAL DATA:

Max. Peak Opr. Volt - 500v
 Freq. Limit - 500 mcs
 Nominal Impedance -

CABLE ACCOMMODATIONS:

Type - N/A

MATING ACCOMMODATIONS:

Type - Solder Cup

MATERIAL:

External Parts - Brass
 Contact - Brass
 Gasket - Silicone Rubber

FINISH:

External Parts - Silver Plate
 Contact - Silver Plate

PANEL:

Max. Thickness - N/A

REQ.	ITEM	PART NO.	MATERIALS DESCRIPTION			SYMBOL
			THE TECHNICAL MATERIEL CORP. MAMARONECK, NEW YORK			
			STOCK SIZE			
			MATERIAL			
			TYPE & TEMPER			
			HEAT TREAT. SPEC.			
			FINISH & SPEC. NO.			
			DRAWN			
			CHECKED			
			FINAL APPROVAL			
			ELEC. DES. APP.			
			MECH. DES. APP.			
			SCALE 1:1			
			UNLESS OTHERWISE SPECIFIED DIMENSIONS ARE IN INCHES AND INCLUDE CHEMICALLY APPLIED OR PLATED FINISHES			
			TOLERANCES			
			DECIMALS			
			FRACTIONS			
			ANGLES			
			CODE			
			SYMBOL			
			DATE			
			CH. NO.			
			DRAFTS			
			CHECKER			
			ENG. APP.			
			DESCRIPTION			
			DATE			
			CH. NO.			
			DRAFTS			
			CHECKER			
			ENG. APP.			
			DESCRIPTION			
			DATE			
			CH. NO.			
			DRAFTS			
			CHECKER			
			ENG. APP.			
			DESCRIPTION			
			DATE			
			CH. NO.			
			DRAFTS			
			CHECKER			
			ENG. APP.			
			DESCRIPTION			
			DATE			
			CH. NO.			
			DRAFTS			
			CHECKER			
			ENG. APP.			
			DESCRIPTION			
			DATE			
			CH. NO.			
			DRAFTS			
			CHECKER			
			ENG. APP.			
			DESCRIPTION			
			DATE			
			CH. NO.			
			DRAFTS			
			CHECKER			
			ENG. APP.			
			DESCRIPTION			
			DATE			
			CH. NO.			
			DRAFTS			
			CHECKER			
			ENG. APP.			
			DESCRIPTION			
			DATE			
			CH. NO.			
			DRAFTS			
			CHECKER			
			ENG. APP.			
			DESCRIPTION			
			DATE			
			CH. NO.			
			DRAFTS			
			CHECKER			
			ENG. APP.			
			DESCRIPTION			
			DATE			
			CH. NO.			
			DRAFTS			
			CHECKER			
			ENG. APP.			
			DESCRIPTION			
			DATE			
			CH. NO.			
			DRAFTS			
			CHECKER			
			ENG. APP.			
			DESCRIPTION			
			DATE			
			CH. NO.			
			DRAFTS			
			CHECKER			
			ENG. APP.			
			DESCRIPTION			
			DATE			
			CH. NO.			
			DRAFTS			
			CHECKER			
			ENG. APP.			
			DESCRIPTION			
			DATE			
			CH. NO.			
			DRAFTS			
			CHECKER			
			ENG. APP.			
			DESCRIPTION			
			DATE			
			CH. NO.			
			DRAFTS			
			CHECKER			
			ENG. APP.			
			DESCRIPTION			
			DATE			
			CH. NO.			
			DRAFTS			
			CHECKER			
			ENG. APP.			
			DESCRIPTION			
			DATE			
			CH. NO.			
			DRAFTS			
			CHECKER			
			ENG. APP.			
			DESCRIPTION			
			DATE			
			CH. NO.			
			DRAFTS			
			CHECKER			
			ENG. APP.			
			DESCRIPTION			
			DATE			
			CH. NO.			
			DRAFTS			
			CHECKER			
			ENG. APP.			
			DESCRIPTION			
			DATE			
			CH. NO.			
			DRAFTS			
			CHECKER			
			ENG. APP.			
			DESCRIPTION			
			DATE			
			CH. NO.			
			DRAFTS			
			CHECKER			
			ENG. APP.			
			DESCRIPTION			
			DATE			
			CH. NO.			
			DRAFTS			
			CHECKER			
			ENG. APP.			
			DESCRIPTION			
			DATE			
			CH. NO.			
			DRAFTS			
			CHECKER			
			ENG. APP.			
			DESCRIPTION			
			DATE			
			CH. NO.			
			DRAFTS			
			CHECKER			
			ENG. APP.			
			DESCRIPTION			
			DATE			
			CH. NO.			
			DRAFTS			
			CHECKER			
			ENG. APP.			
			DESCRIPTION			
			DATE			
			CH. NO.			
			DRAFTS			
			CHECKER			
			ENG. APP.			
			DESCRIPTION			
			DATE			
			CH. NO.			
			DRAFTS			
			CHECKER			
			ENG. APP.			
			DESCRIPTION			
			DATE			
			CH. NO.			
			DRAFTS			
			CHECKER			
			ENG. APP.			
			DESCRIPTION			
			DATE			
			CH. NO.			
			DRAFTS			
			CHECKER			
			ENG. APP.			
			DESCRIPTION			
			DATE			
			CH. NO.			
			DRAFTS			
			CHECKER			
			ENG. APP.			
			DESCRIPTION			
			DATE			
			CH. NO.			
			DRAFTS			
			CHECKER			
			ENG. APP.			
			DESCRIPTION			
			DATE			
			CH. NO.			
			DRAFTS			
			CHECKER			
			ENG. APP.			
			DESCRIPTION			
			DATE			
			CH. NO.			
			DRAFTS			
			CHECKER			
			ENG. APP.			
			DESCRIPTION			
			DATE			
			CH. NO.			
			DRAFTS			
			CHECKER			
			ENG. APP.			
			DESCRIPTION			
			DATE			
			CH. NO.			
			DRAFTS			
			CHECKER			
			ENG. APP.			
			DESCRIPTION			
			DATE			
			CH. NO.			
			DRAFTS			
			CHECKER			
			ENG. APP.			
			DESCRIPTION			
			DATE			
			CH. NO.			
			DRAFTS			
			CHECKER			
			ENG. APP.			
			DESCRIPTION			
			DATE			
			CH. NO.			
			DRAFTS			
			CHECKER			
			ENG. APP.			
			DESCRIPTION			
			DATE			
			CH. NO.			
			DRAFTS			
			CHECKER			
			ENG. APP.			
			DESCRIPTION			
			DATE			
			CH. NO.			
			DRAFTS			
			CHECKER			
			ENG. APP.			
			DESCRIPTION			
			DATE			
			CH. NO.			
			DRAFTS			
			CHECKER			
			ENG. APP.			
			DESCRIPTION			
			DATE			
			CH. NO.			
			DRAFTS			
			CHECKER			
			ENG. APP.			
			DESCRIPTION			
			DATE			
			CH. NO.			
			DRAFTS			
			CHECKER			
			ENG. APP.			
			DESCRIPTION			
			DATE			
			CH. NO.			
			D			