

THE CONTENTS OF THIS DRAWING ARE THE EXCLUSIVE PROPERTY OF THE TECHNICAL MATERIEL CORP. ITS UNAUTHORIZED USE FOR REPRODUCTION IN WHOLE OR IN PART IS STRICTLY FORBIDDEN.

REQ. PER UNIT

TCA-85/UHF

USED ON

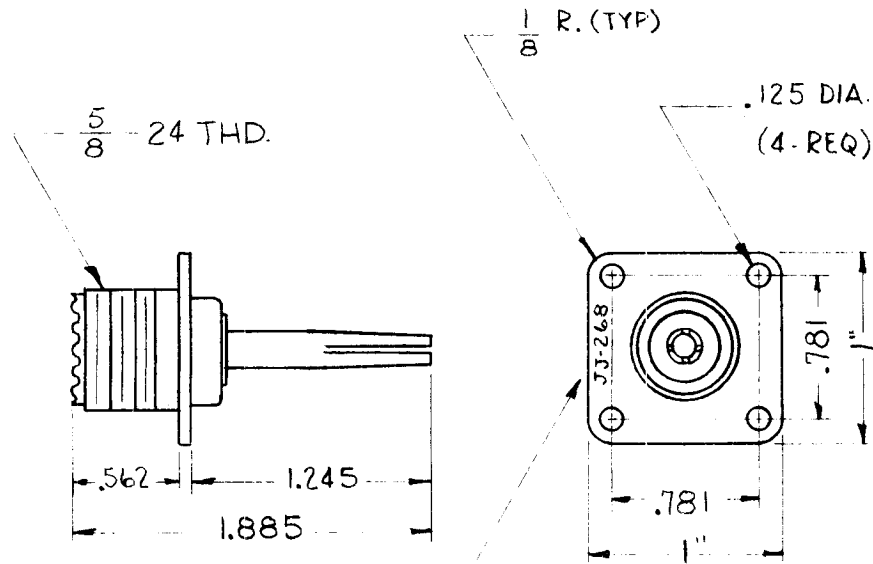
MODEL

ASS'Y. NO.

DATE

11-2-62

JJ-268



METAL STAMP TMC
PART NO. 1/16 HIGH
GOTHIC.

SPECIFICATIONS:

Series - UHF
No. of Contacts - One (1)
Type of Contact - Female
Dielectric - Teflon

ELECTRICAL DATA:

Max. Peak Opr. Volt -
Freq. Limit -
Nominal Impedance -

MATING ACCOMMODATIONS:

Type - TCA-85/

MATERIAL:

External Parts - Brass
Contact - Beryllium Copper
Gasket - None

FINISH:

External Parts - Silver Plate and Rhodium
Flash
Contact - Silver Plate and Gold Flash

REQ.	ITEM	PART NO.	A. MARTINEGO			DESCRIPTION	SYMBOL
						THE TECHNICAL MATERIEL CORP. MAMARONECK. NEW YORK	
			STOCK SIZE			RECEPTACLE CONNECTOR	
			MATERIAL			"UHF" SERIES	
SYM	DESCRIPTION	DATE	CH. NO.	DRAFTS	CHECKER	ENG. APP.	
UNLESS OTHERWISE SPECIFIED DIMENSIONS ARE IN INCHES AND INCLUDE CHEMICALLY APPLIED OR PLATED FINISHES		SCALE					
DECIMALS .X ± .05 .XX ± .01 .XXX ± .005		FRACTIONS ± 1/64 ANGLES, ± 0° 30'		TOLERANCES		CODE	
				TYPE & TEMPER		HEAT TREAT. SPEC.	
				DRAWN		CHECKED	FINAL APPROVAL
				FINISH & SPEC. NO.		ELEC. DES. APP.	MECH. DES. APP.
							JJ-268