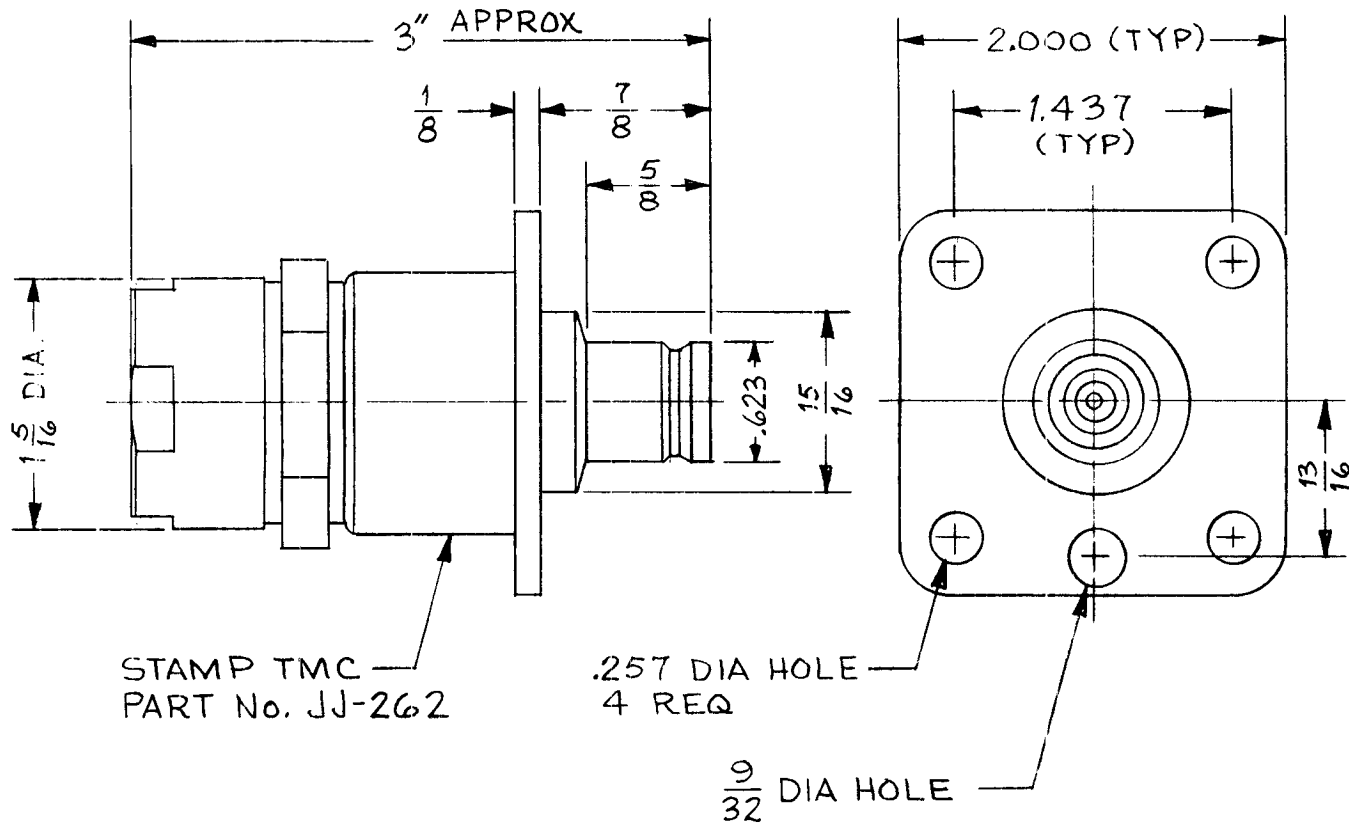


REQ. PER UNIT	USED ON			JJ-262
	MODEL	ASS'Y. NO.	DATE	



STAMP TMC  
PART No. JJ-262

.257 DIA HOLE  
4 REQ

9/32 DIA HOLE

**SPECIFICATIONS:**

Series - QDS  
No. of Contacts - ONE (1)  
Type of Contact - FEMALE  
Dielectric - TEFLON

**ELECTRICAL DATA:**

Max. Peak Opr. Volt- 5000 V  
Freq. Limit - 10,000 MCS  
Nominal Impedance - 50 OHMS

**CABLE ACCOMMODATION:**

Type - RG-17-18-164-218-219/U

**MATING ACCOMMODATIONS:**

Type - QDS

**MATERIAL:**

External Parts - BRASS  
Contact - BERYLLIUM COPPER  
Gasket - SILICONE RUBBER

**FINISH:**

External Parts - RHODIUM  
Contact - GOLD

**PANEL:**

Max. Thickness - 3/16

REQ.	ITEM	PART NO.	MARTINENGO DESCRIPTION			SYMBOL
			THE TECHNICAL MATERIEL CORP. MAMARONECK, NEW YORK			
			CONNECTOR, RECEPTACLE			
			QDS TO CABLE			
SYM	DESCRIPTION	DATE	CH. NO.	DRAFTS	CHECKER	ENG. APP.
UNLESS OTHERWISE SPECIFIED DIMENSIONS ARE IN INCHES AND INCLUDE CHEMICALLY APPLIED OR PLATED FINISHES		SCALE				
DECIMALS .X ± .05 .XX ± .01 .XXX ± .005	FRACTIONS ± 1/64 ANGLES ± 0° 30'	CODE				
TOLERANCES		S401-70-2417				
		M.TANTILLO 9-20-63		9/25/63		
TYPE & TEMPER		HEAT TREAT. SPEC.		DRAWN		CHECKED
FINISH & SPEC. NO.		ELEC. DES. APP.		MECH. DES. APP.		JJ-262