

REQ. PER UNIT	USED ON		
	MODEL	ASS'Y. NO.	DATE
			JJ-261

SPECIFICATIONS:

Series - QDM
 No. of Contacts - ONE (1)
 Type of Contact - FEMALE
 Dielectric - TEFLON

ELECTRICAL DATA:

Max. Peak Opr. Volt - 500V
 Freq. Limit - 10,000 MCS
 Nominal Impedance - 50 OHMS

CABLE ACCOMMODATIONS:

Type - NONE

MATING ACCOMMODATIONS:

Type - QDM

MATERIAL:

External Parts - BRASS
 Contact - BERYLLIUM COPPER
 Gasket - SILICONE RUBBER

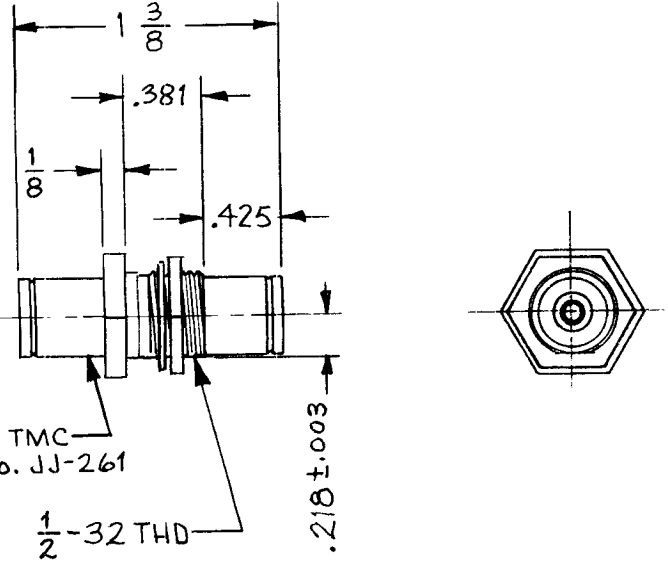
FINISH:

External Parts RHODIUM

Contact - GOLD

PANEL:

Max. Thickness 3/16



STAMP TMC
PART No. JJ-261

1/2-32 THD

.218 ± .003

SYM	DESCRIPTION	DATE	CH. NO.	DRAFTS	CHECKER	ENG. APP.	REQ. ITEM	PART NO.	MARTINENGO	DESCRIPTION	SYMBOL	
										THE TECHNICAL MATERIEL CORP. MAMARONECK. NEW YORK		
										CONNECTOR, RECEPTACLE		
										BULKHEAD - QDM TO QDM		
UNLESS OTHERWISE SPECIFIED DIMENSIONS ARE IN INCHES AND INCLUDE CHEMICALLY APPLIED OR PLATED FINISHES							SCALE			M. TANTILLO 9-18-63	BP	
DECIMALS .X ± .05 .XX ± .01 .XXX ± .005							FRACTIONS ± 1/64 ANGLES ± 0° 30'	CODE	S401-70-3062	DRAWN	CHECKED	FINAL APPROVAL
TOLERANCES										JJ-261		
							FINISH & SPEC. NO.			ELEC. DES. APP.	MECH. DES. APP.	