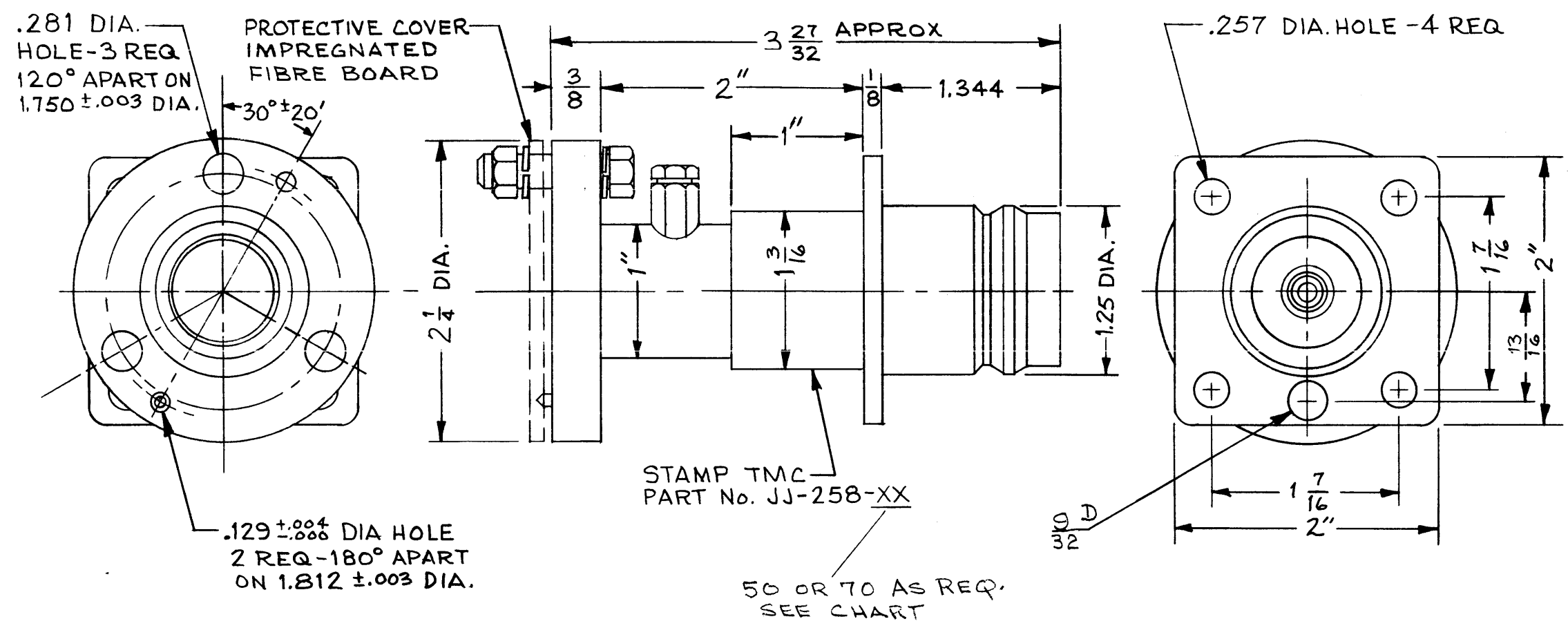


TMC PART No.	IMPEDANCE
JJ-258-50	50 - OHMS
JJ-258-70	70 - OHMS

JJ-258

REVISIONS						
SYM	DESCRIPTION	DATE	E.M.N. NO.	DRAFT	CHKD	APPD



SPECIFICATIONS:
 Series - QDL
 No. of Contacts - on (1)
 Type of Contact - Female
 Dielectric - T flon

ELECTRICAL DATA:
 Max. Peak Opr. Volt - 10,000
 Freq. Limit - 1,000 MCS
 Nominal Impedance - 50Ω or 70Ω

CABLE ACCOMMODATIONS:
 Type - 7/8 EIA

MATING ACCOMMODATIONS:
 Type -

MATERIAL:
 External Parts - Brass
 Contact - Beryllium Copper

FINISH:
 External Parts - Silver Plate & Rhodium Flash
 Contact - Silver Plat & Gold Flash

PANEL:
 Max. Thickness - 3/16

SUPPLIED BY MFR.

O - RING - GA-158-1	- 1 REQ.
SCREW, MACHINE - SCHH2520NR16	- 3 REQ.
LOCKWASHER, SPLIT - LWS25 HRN	- 6 REQ.
NUT, HEX. - NTH 2520NR14	- 3 REQ.
CONNECTOR, INNER - PO-287-XX	- 1 REQ.

50Ω OR 70Ω AS REQ

REQ'D.	ITEM	PART NUMBER	DESCRIPTION	SYMBOL
MARTIN ENGO LIST OF MATERIAL				
MATERIAL		THE TECHNICAL MATERIEL CORP. MAMARONECK, NEW YORK		
FINISH		TITLE ADAPTER, CONNECTOR, EIA FLANGE TO QDL - 50Ω OR 70Ω		
UNLESS OTHERWISE SPECIFIED DIMENSIONS ARE IN INCHES AND INCLUDE CHEMICALLY APPLIED OR PLATED FINISHES		DRAWN M. TANTILLO	DATE 9-16-63	FINAL APPROVAL BP
DECIMALS .X ± .05 .XX ± .01 .XXX ± .05		CHECKED Jule	DATE 10/1/63	DATE
FRACTIONS ± 1/64 ANGLES ± 0° 30'		ELECT. DES.	DATE	DATE
TOLERANCES		MECH. DES.	DATE 10-1-63	DATE

THE CONTENTS OF THIS DRAWING ARE THE EXCLUSIVE PROPERTY OF THE TECHNICAL MATERIEL CORP. ITS UNAUTHORIZED USE OR REPRODUCTION IN WHOLE OR IN PART IS STRICTLY FORBIDDEN.

NOTES