

THE CONTENTS OF THIS DRAWING ARE THE EXCLUSIVE PROPERTY OF THE TECHNICAL MATERIEL CORP. ITS UNAUTHORIZED USE OR REPRODUCTION IN WHOLE OR IN PART IS STRICTLY FORBIDDEN.

REQ. PER UNIT

MODEL

USED ON

ASS'Y. NO.

DATE

5-28-62

JJ-243

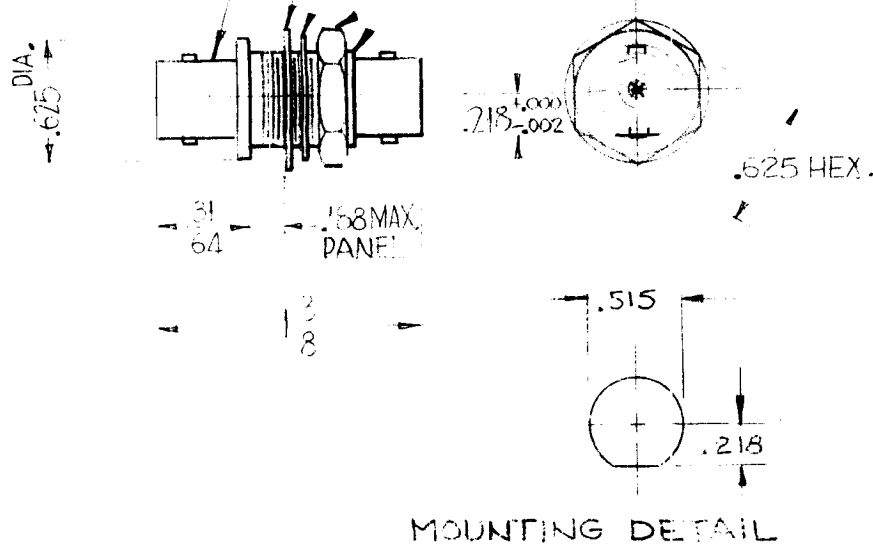
STAMP TMC # JJ-243
1/16 HIGH GOTHIC.

FLAT WASHER

INTERNAL LOCKWASHER

1/2-28 NEF-2A

HEX. NUT



SPECIFICATIONS:

Series - BNC
No. of Contacts - One (1)
Type of Contact - Female
Dielectric - Teflon

ELECTRICAL DATA:

Max. Peak Opr. Volt - 500 Volts
Freq. Limit - 10,000 MCs.
Nominal Impedance - 50 Ohms

MATING ACCOMMODATIONS:

Type - BNC

MATERIAL:

External Parts - Brass
Contact - Beryllium Copper
Gasket - None

FINISH:

External Parts - Silver Plate and Rhodium Flash
Contact - Silver Plate, Gold Flash

REQ.	ITEM	PART NO.	DESCRIPTION	SYMBOL					
			THE TECHNICAL MATERIEL CORP. MAMARONECK, NEW YORK						
			STOCK SIZE						
			SEE NOTE	CONNECTOR, RECEPTACLE					
			MATERIAL	BNC SERIES					
SYM	DESCRIPTION	DATE	CH. NO.	DRAFTS	CHECKER	ENG. APP.			
UNLESS OTHERWISE SPECIFIED: DIMENSIONS ARE IN INCHES TOLERANCES ON FRAC. ± 1/64 DEC. ± .005 ANGLES ± 1/2°		SCALE: 5/16" = 1" (2501)							
		MAXIMUM ALLOWABLE TOLERANCES HAVE BEEN DETERMINED AND ANY DEVIATIONS WILL BE CAUSE FOR REJECTION. REMOVE ALL BURRS AND SHARP EDGES							
		TYPE & TEMPER	HEATTREAT. SPEC.	DRAWN		CHECKED		FINAL APPROVAL	
		SEE NOTE				6/6/62		JJ-243	
		FINISH & SPEC. NO.		ELEC. DES. APP.		MECH. DES. APP.			