

THE CONTENTS OF THIS DRAWING ARE THE EXCLUSIVE PROPERTY OF THE TECHNICAL MATERIEL CORP. ITS UNAUTHORIZED USE OR REPRODUCTION IN WHOLE OR IN PART IS STRICTLY FORBIDDEN.

REQ. PER UNIT

USED ON

MODEL

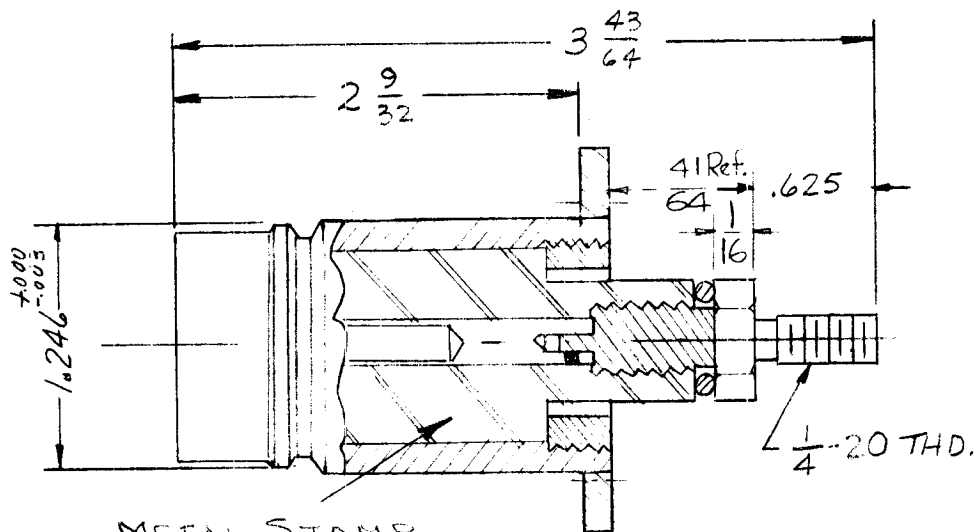
ASS'Y. NO.

DATE

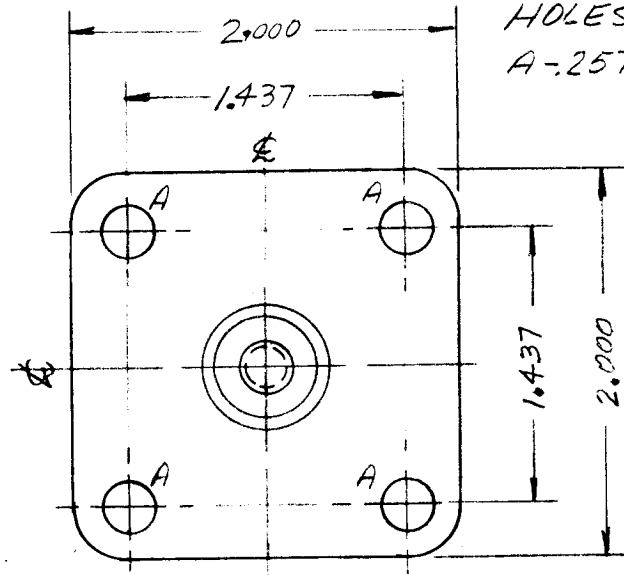
10-5-61

JJ-225

B



METAL STAMP
V8 HIGH GOTHIC TMC # JJ-225



HOLES:
A-.257 DIA. 4 REQ'D.

SPECIFICATIONS

Series -ODL
No. of Connections- one (1)
Type of Contact- Female
Dielectric- Teflon

ELECTRICAL DATA

Max. Peak Volt.-10KV
Nom. Impedance- 50 Ω
Freq. Limit- 1000MCS

MATERIAL

External Parts- Brass
Contacts- Beryllium Copper

FINISH

External Parts- Silver Plate
.0002
Rhodium Flash- .00005
Contacts- Silver plate
.0002
Gold Flash .0001

REQ. ITEM	PART NO.	DESCRIPTION	SYMBOL
B	ON PICT. THD-WAS 1/4-Z8	10/25/61 5750 56 RLI	THE TECHNICAL MATERIEL CORP. MAMARONECK, NEW YORK ADAPTOR, CONNECTOR ODL
A	MOD. TO AGREE WITH MFR. LEARNING.	10/13/61 5725 2821	
SYM	DESCRIPTION	DATE CH. NO. DRAFTS CHECKER ENG. APP.	
UNLESS OTHERWISE SPECIFIED:		SCALE: 5401-70(2308)	
DIMENSIONS ARE IN INCHES		MAXIMUM ALLOWABLE TOLERANCES HAVE BEEN DETERMINED AND ANY DEVIATIONS WILL BE CAUSE FOR REJECTION.	
TOLERANCES ON		REMOVE ALL BURRS AND SHARP EDGES	
FRAC. ± 1/64 DEC. ± .005 ANGLES ± 1/2°		TYPE & TEMPER HEATTREAT. SPEC. DRAWN CHECKED FINAL APPROVAL	
FINISH & SPEC. NO.		ELEC. DES. APP. MECH. DES. APP.	
		JJ-225 B	