

THE CONTENTS OF THIS DRAWING ARE THE EXCLUSIVE PROPERTY OF THE TECHNICAL MATERIEL CORP. ITS UNAUTHORIZED USE OR REPRODUCTION IN WHOLE OR IN PART IS STRICTLY FORBIDDEN.

REQ. PER UNIT

USED ON

MODEL

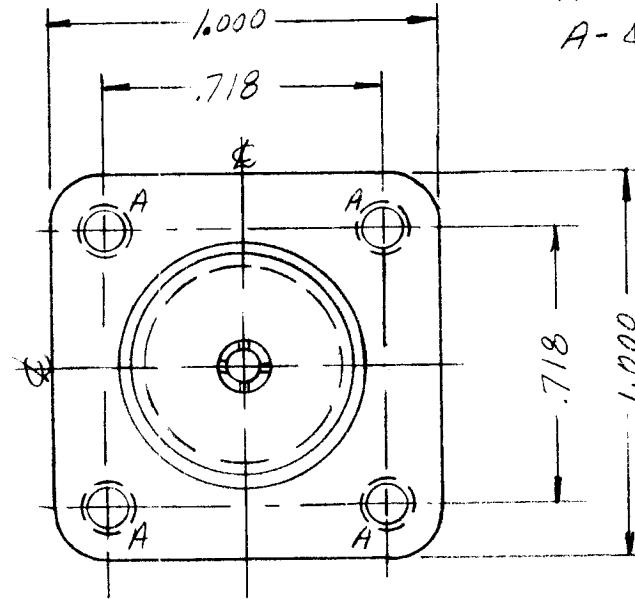
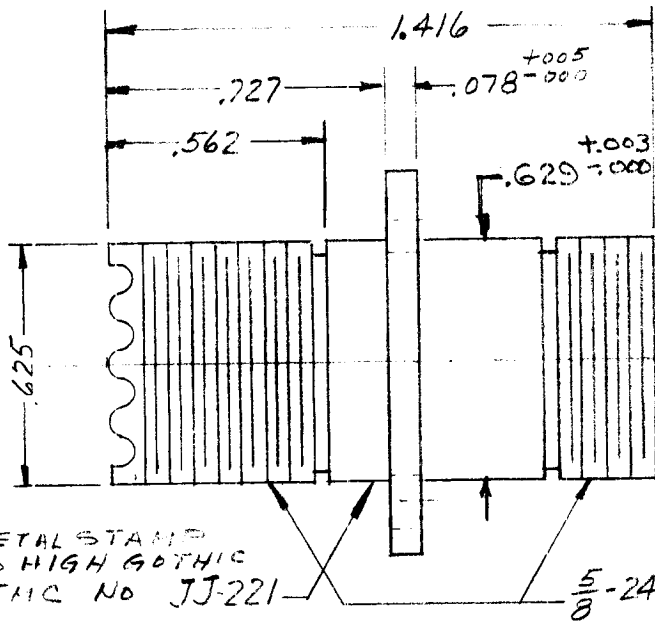
ASS'Y. NO.

DATE

JJ-221

B

10-4-61



HOLE:

A-4-40 TAP 4 REQ'D.

SPECIFICATIONS

Series - N (F)-UHF (F)
No of Contacts- one (1)
Type of Contact- Female
Dielectric- Teflon

ELECTRICAL DATA

Max. Peak Volt.- 1.5 KV
Nom. Impedance-50 Ω
Freq. Limit- 10,000 MCS

MATERIAL

External Parts- Brass
Contacts- Beryllium Copper

FINISH

(.0002)
External Parts-Silver plate
Rhodium Flash- .00005
Contacts- Silver plate .0002
Gold Flash .0001

| REQ. | ITEM | PART NO. | DESCRIPTION | | | SYMBOL | | | | | |
|--|-------------------------------------|---|--|-----------------|---------|-----------------|--|---------|--|----------------|--|
| | | | THE TECHNICAL MATERIEL CORP. MAMARONECK, NEW YORK | | | | | | | | |
| | | | STOCK SIZE | | | | | | | | |
| | | | MATERIAL | | | | | | | | |
| B | SIZE CLARIFIED "A" HOLE WAS 4-40 | 4-12-66 16085 mfw | CONNECTOR, RECEPTACLE UHF TO N (F) | | | | | | | | |
| A | | | | | | | | | | | |
| SYM | DESCRIPTION | DATE | CH. NO. | DRAFTS | CHECKER | ENG. APP. | | | | | |
| UNLESS OTHERWISE SPECIFIED: DIMENSIONS ARE IN INCHES TOLERANCES ON FRAC. ± 1/64 DEC. ± .005 ANGLES ± 1/2° | | SCALE: S401-70 (2311) | | | | | | | | | |
| | | MAXIMUM ALLOWABLE TOLERANCES HAVE BEEN DETERMINED AND ANY DEVIATIONS WILL BE CAUSE FOR REJECTION. REMOVE ALL BURRS AND SHARP EDGES | | | | | | | | | |
| | | TYPE & TEMPER | | HEATTREAT.SPEC. | | DRAWN | | CHECKED | | FINAL APPROVAL | |
| | | FINISH & SPEC. NO. | | ELEC. DES. APP. | | MECH. DES. APP. | | JJ-221 | | B | |