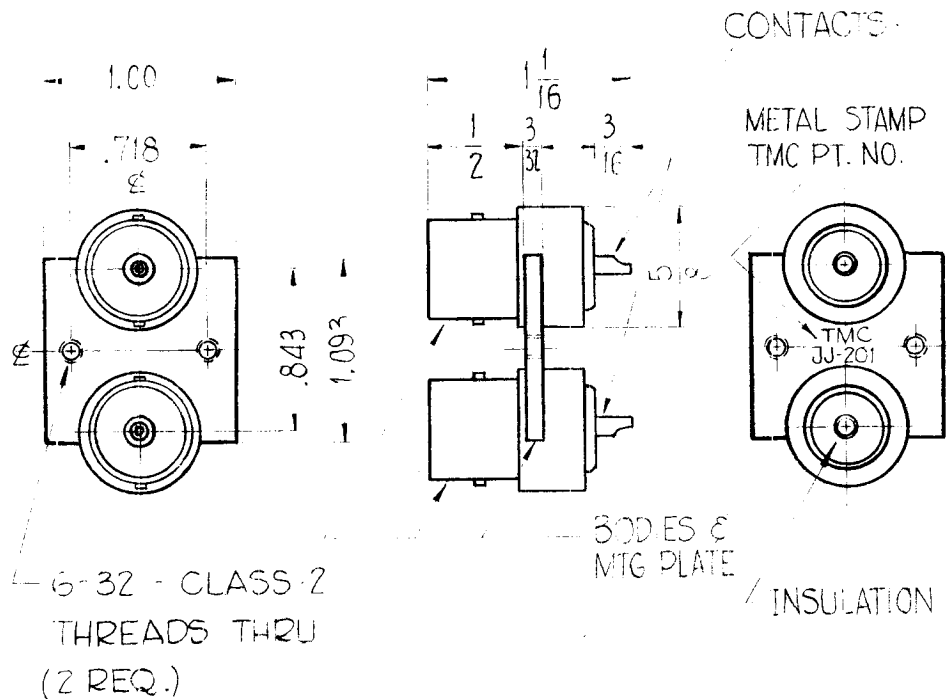


REQ. PER UNIT	USED ON			JJ-201
	MODEL	ASS'Y. NO.	DATE	
	SW-282		4-10-61	

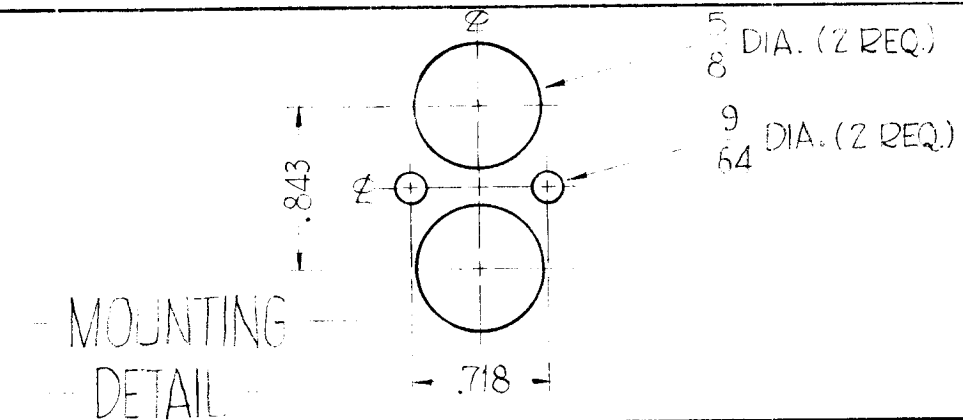


SPECIFICATIONS

BODIES AND MTG. PLATE -
MATERIAL - BRASS, FINISH - SILVER PLATED AND RHODIUM FLASHED.

CONTACTS -
MATERIAL - BERYLIUM COPPER, FINISH - GOLD FLASHED

INSULATION -
MATERIAL - TEFLON, TYPE - LOW LOSS PLASTIC, DIELECTRIC



ELECTRICAL DATA

MAXIMUM PEAK VOLTAGE

NOMINAL IMPEDENCE

MOUNTING

SEE DETAIL

REQ.	ITEM	PART NO.	DESCRIPTION	SYMBOL					
			THE TECHNICAL MATERIEL CORP. MAMARONECK, NEW YORK						
			CONNECTOR, RECEPTACLE, DUAL "TYPE C"						
ISSUE	ITEM	CHANGED FROM	DATE	CH. NO.	DRAFTS	CHECKER	ENG. APP.		
TOLERANCES			SCALE: DO NOT SCALE (5401-70 (1045))						
DEC. DIM. ±			MAXIMUM ALLOWABLE TOLERANCES HAVE BEEN DETERMINED AND ANY DEVIATIONS WILL BE CAUSE FOR REJECTION. REMOVE ALL BURRS AND SHARP EDGES						
FRAC. DIM. ± 1/64									
ANGULAR DIM. ±									
TYPE & TEMPER.		HEAT TREAT. SPEC.		DRAWN		CHECKED		FINAL APPROVAL	
FINISH & SPEC. NO.		ELEC. DES. APP.		MECH. DES. APP.		JJ-201			