

**SPECIFICATIONS**

SERIES ~ GDS  
 NO. OF CONTACTS ~ ONE (1)  
 TYPE OF CONTACTS ~ FEMALE  
 DIELECTRIC ~ TEFLON

**ELECTRICAL DATA**

MAX. PEAK CPR. VOLT. ~  
 NOM. IMPEDANCE ~

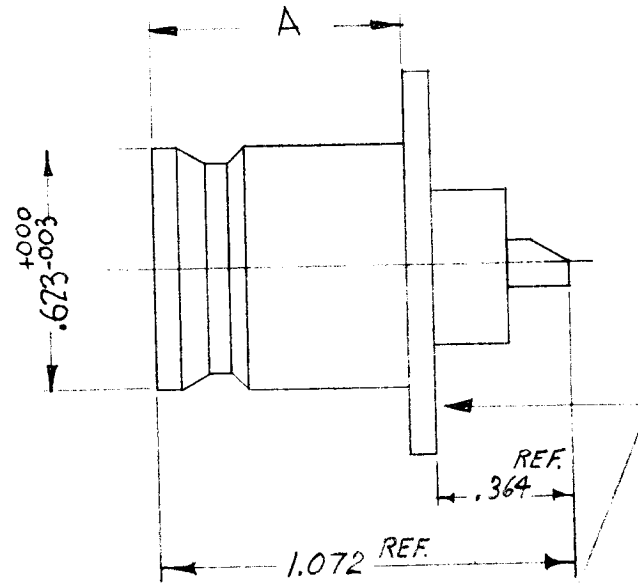
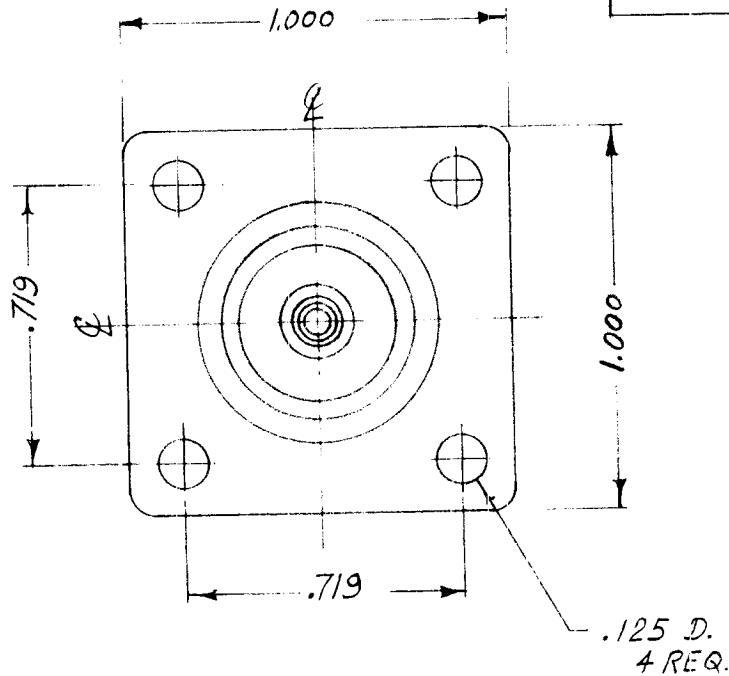
REQ. PER UNIT	USED ON		
	MODEL	ASSY. NO.	DATE
			JJ-187
			6-21-60

B

CABLE ACCOMODATIONS  
 TYPE ~ SOLDER ENDS

MATERIAL  
 EXTERNAL PARTS ~ BRASS  
 CONTACTS ~ BERYLLIUM COPPER

FINISH  
 EXT. PARTS ~ SILVER PLATE  
 & RHODIUM FLASH  
 CONTACTS ~ SILVER PLATE  
 & GOLD FLASH.



TMC P/N	DIM "A"
JJ187	.630
JJ187-2	.817

ISSUE	ITEM	CHANGED FROM	DATE	CH. NO.	DRAFTS	CHECKER	ENG. APP.	REQ.	ITEM	PART NO.	DESCRIPTION	SYMBOL	
B		"A" DIM ON PICT WAS .630, STAMP NOTE REV	11.18.66	17258	WHO	<i>[Signature]</i>	<i>[Signature]</i>				THE TECHNICAL MATERIEL CORP. MAMARONECK, NEW YORK		
A	1	SPECIFICATIONS added	5/8/61		<i>[Signature]</i>	<i>[Signature]</i>	<i>[Signature]</i>				CONNECTOR, RECEPTACLE SERIES GDS.		
TOLERANCES			SCALE: S-401-70 (9192)										
DEC. DIM. ± FRAC. DIM. ± ANGULAR DIM. ±			MAXIMUM ALLOWABLE TOLERANCES HAVE BEEN DETERMINED AND ANY DEVIATIONS WILL BE CAUSE FOR REJECTION; REMOVE ALL BURRS AND SHARP EDGES										
								TYPE & TEMPER	HEAT TREAT. SPEC.	DRAWN	CHECKED	FINAL APPROVAL	
								FINISH & SPEC. NO.		ELEC. DES. APP	MECH. DES. APP		