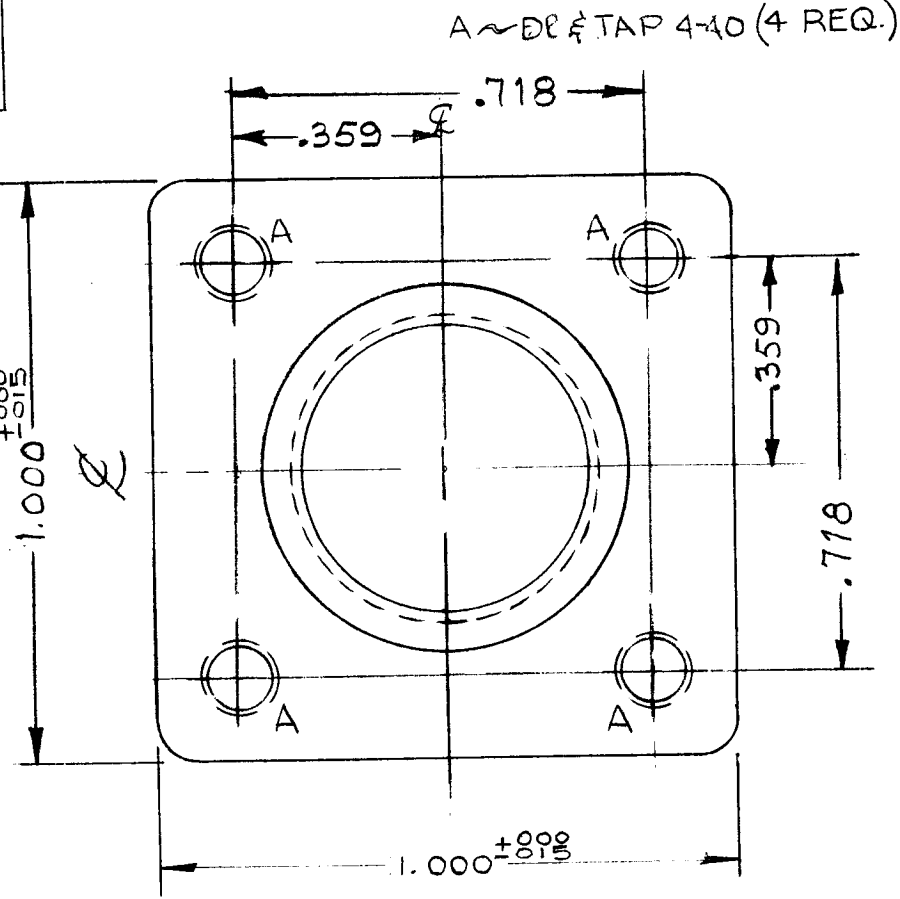
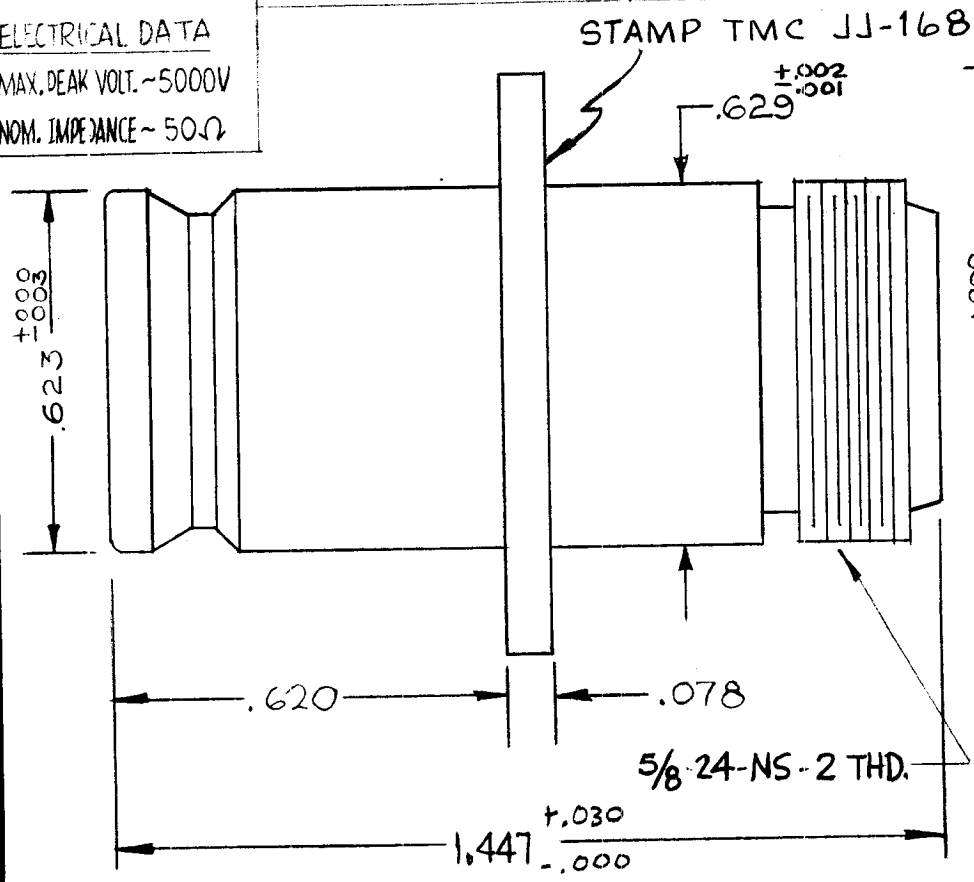


SPECIFICATIONS SERIES ~"N" TO "QDS" NO. OF CONTACTS ~ ONE (1) TYPE OF CONTACT ~ FEMALE DIELECTRIC ~ TEFLON ELECTRICAL DATA MAX. PEAK VOLT. ~ 5000V NOM. IMPEDANCE ~ 50Ω	MATING ACCOMODATIONS TYPE ~ "N" FEMALE TO "QDS" FEMALE. MATERIAL EXTERNAL PARTS ~ BRASS CONTACTS ~ BERYLLIUM COPPER	FINISH EXT. PARTS ~ SILVER PLATE & RHODIUM FLASH CONTACTS ~ SILVER PLATE & GOLD FLASH	USED ON			JJ-168	B	
			REQ. PER UNIT	MODEL	ASS'Y. NO.			DATE
								4-11-60



REQ.	ITEM	PART NO.	DESCRIPTION			SYMBOL	
			THE TECHNICAL MATERIEL CORP. MAMARONECK, NEW YORK				
			ADAPTOR, CONNECTOR.				
			"N" FEMALE TO QDS FEMALE				
B			STOCK SIZE				
A	1		MATERIAL				
ISSUE	ITEM	CHANGED FROM	DATE	CH. NO.	DRAFTS	CHECKER	ENG. APP.
			4-12-66	16085	WAW	RCB	MWH
		.620 & .078 WERE .719 & .030 "A" HOLE WAS ±	5/9/61				
		SPECIFICATIONS ADDED					
TOLERANCES			SCALE: 5-401 TO (3254)				
DEC. DIM. ± FRAC. DIM. ± 1/64 ANGULAR DIM. ±			MAXIMUM ALLOWABLE TOLERANCES HAVE BEEN DETERMINED AND ANY DEVIATIONS WILL BE CAUSE FOR REJECTION. REMOVE ALL BURRS AND SHARP EDGES				
TYPE & TEMPER		HEAT TREAT. SPEC.	DRAWN	CHECKED	FINAL APPROVAL		
					JJ-168		
FINISH & SPEC. NO.		ELEC. DES. APP	MECH. DES. APP	B			