

TO BE SUPPLIED BY MFR.  
 1- KNURLED NUT, TMC # NT-125  
 1- INTERNAL LOCKWASHER  
 1- FLAT WASHER

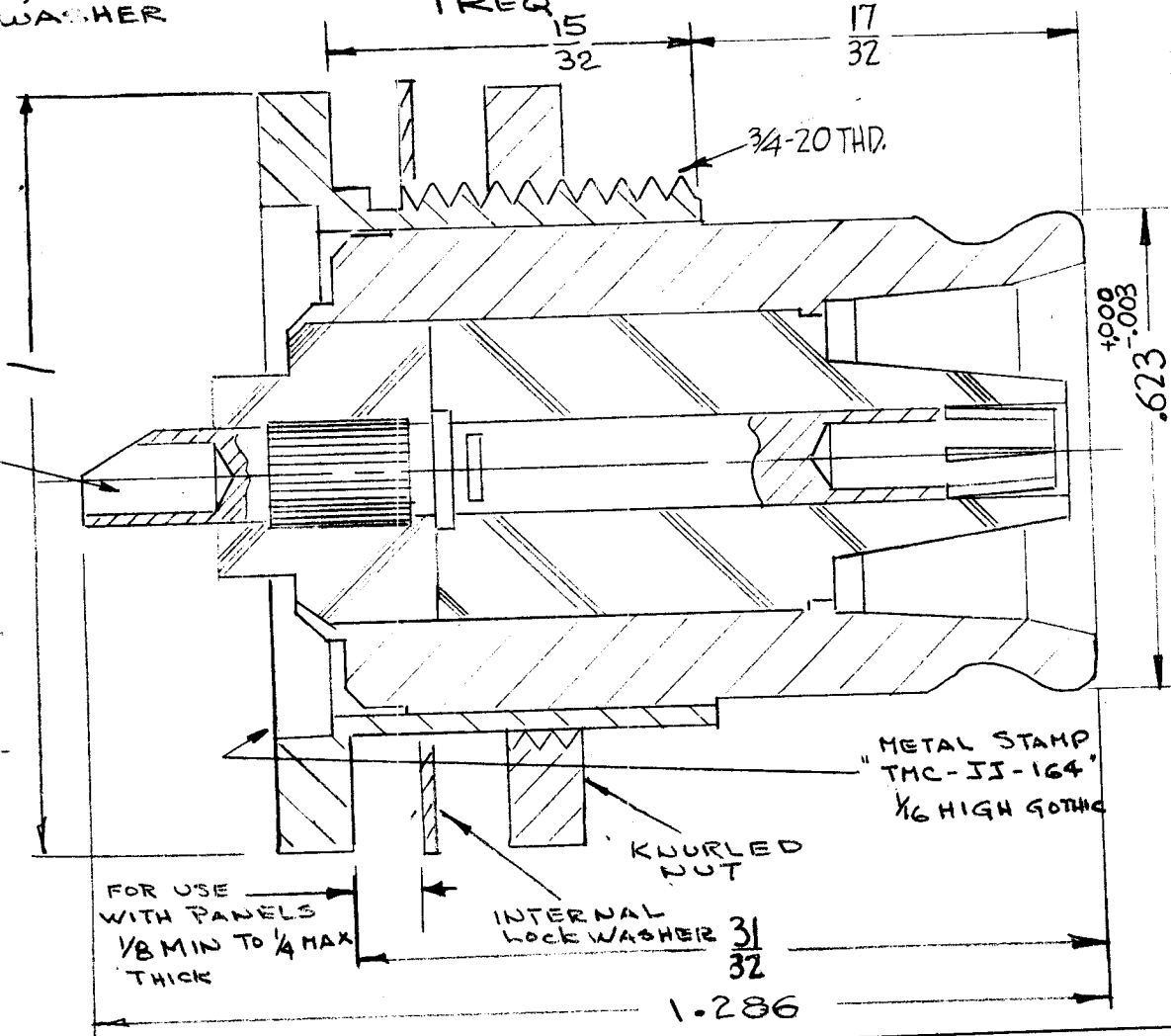
REQ. PER UNIT	USED ON		DATE
	MODEL	ASSY. NO.	

JJ-164 C

**SPECIFICATIONS**

SERIES ~ QDS  
 NO. OF CONTACTS ~ ONE (1)  
 TYPE OF CONTACT ~ FEMALE  
 DIELECTRIC ~ TEFLON  
 ELECTRICAL DATA  
 MAX. PEAK VOLTAGE ~ 5000V  
 NOM. IMPEDANCE ~ 50Ω  
 MATING ACCOMODATIONS  
 TYPE ~ SOLDER CUP  
 MATERIAL  
 EXTERNAL PARTS ~ BRASS  
 CONTACTS ~ BERYLLIUM COPPER  
 FINISH  
 EXTERNAL PARTS ~ SILVER PLATE & RHODIUM FLASH.  
 CONTACTS ~ SILVER PLATE & GOLD FLASH.

20 AWG. MAX. WIRE  
 SIZE ACCOMODATED



MOUNTING  
 DETAIL

FOR USE  
 WITH PANELS  
 1/8 MIN TO 1/4 MAX  
 THICK

ISSUE	ITEM	CHANGED FROM	DATE	CH. NO.	DRAFTS	CHECKER	ENG. APP.
C	1	(1) FLAT WASHER ADDED	12-11-62	7841			
B	1	SPECIFICATIONS Added	5/8/61				
A	2	DIMENSIONS ADDED	2/24/59				
A	1	PLATING ADDED					

TOLERANCES

SCALE: S-401-70 (3258)

DEC. DIM. ±  
 FRAC. DIM. ±  
 ANGULAR DIM. ±

MAXIMUM ALLOWABLE TOLERANCES HAVE BEEN DETERMINED AND ANY DEVIATIONS WILL BE CAUSE FOR REJECTION.  
 REMOVE ALL BURRS AND SHARP EDGES

REQ. ITEM	PART NO.
	STOCK SIZE
	MATERIAL
	TYPE & TEMPER
	HEAT TREAT. SPEC.
	FINISH & SPEC. NO.

DESCRIPTION	SYMBOL
THE TECHNICAL MATERIEL CORP. MAMARONECK. NEW YORK	
CONNECTOR, RECEPTACLE	
QDS	
DRAWN: <i>[Signature]</i>	CHECKED: <i>[Signature]</i>
FINAL APPROVAL: <i>[Signature]</i>	
ELEC. DES. APP. MECH. DES. APP.	JJ-164 C