

IF IT IS FOUND DESIRABLE TO CHANGE ANY TOLERANCE OR OTHER DETAIL SPECIFIED ON THIS DRAWING NOTIFY THE PURCHASER PROMPTLY.

STANDARD DRAWING

JJ-145

MAXIMUM ALLOWABLE TOLERANCES HAVE BEEN DETERMINED AND DEVIATIONS WILL BE CAUSE FOR REJECTION. REMOVE ALL BURRS AND SHARP EDGES

REQ. PER UNIT

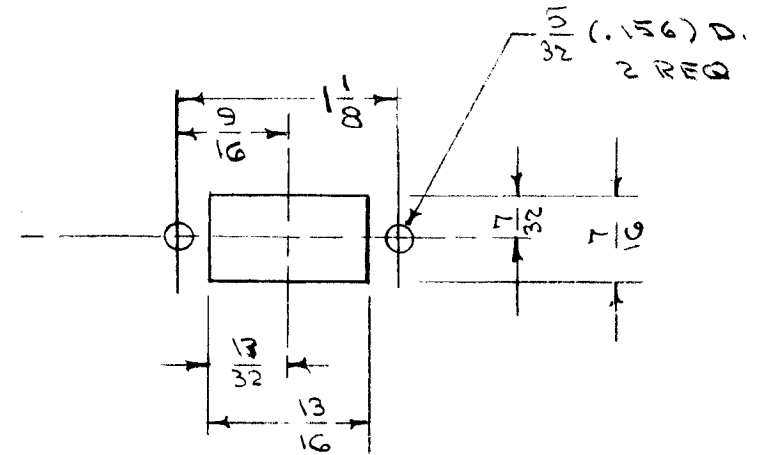
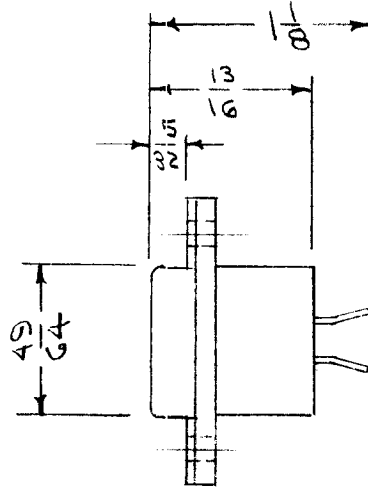
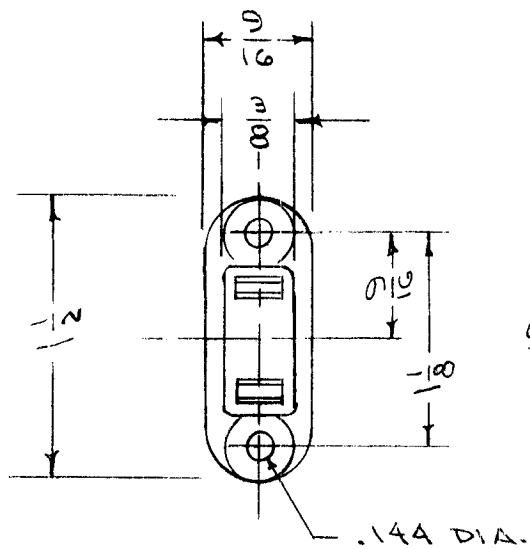
USED ON

MODEL

PROJECT NO.

ASS'Y. NO.

DATE



DRILLING PLAN

NOTE

DWG NO. WAS PL-121

DIM. FOR REF. ONLY

10 A. 250 V.

15 A. 125 V.

REF.: CINCH MFG. CO. CAT. NO. 12844

REQ.	ITEM	PART NO.	DESCRIPTION	SYMBOL
			THE TECHNICAL MATERIEL CORP.	
STOCK SIZE			MAMARONECK. NEW YORK	
			CONNECTOR, RECEPTACLE	
MATERIAL		WEIGHT PER PC.		
TYPE & TEMPER			CDD. 4-11-55	
HEAT TREAT. SPEC.			DRAWN <i>fade</i> ELEC. DES. APP. <i>G.T.O</i> MECH. DES. APP. <i>W.C.</i>	
FINISH & SPEC. NO.			CHECKED <i>fade</i> FINAL APPROVAL <i>G.T.O</i>	
			JJ-145	

ISSUE	ITEM	CHANGED FROM	DATE	CN. NO.	DRAFTS	CHECKER	ENG. APP.
TOLERANCES		SCALE					
ALL OTHERS		DRILL, PUNCH, COMMERCIAL STOCK SIZES AND MANUFACTURERS TOLERANCES ARE NOT INCLUDED.					