

IF IT IS FOUND DESIRABLE TO CHANGE ANY TOLERANCE OR OTHER DETAIL SPECIFIED ON THIS DRAWING NOTIFY THE PURCHASER PROMPTLY.

MAXIMUM ALLOWABLE TOLERANCES HAVE BEEN DETERMINED AND DEVIATIONS WILL BE CAUSE FOR REJECTION. REMOVE ALL BURRS AND SHARP EDGES

STANDARD DRAWING

JJ-089

A

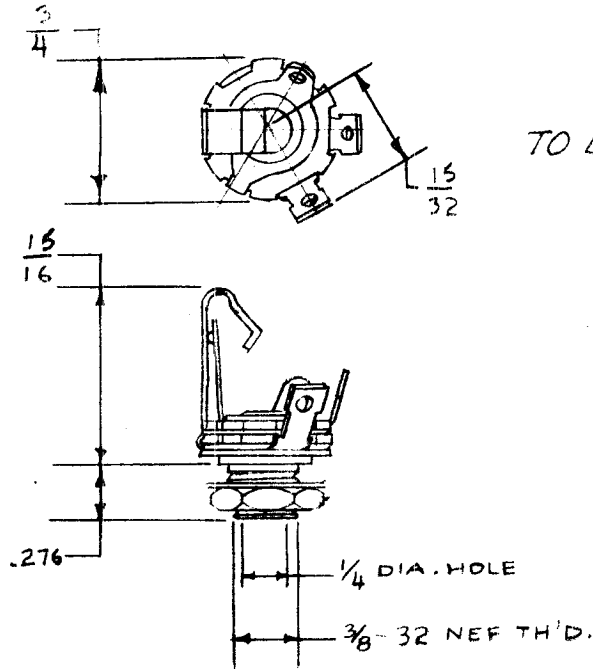
USED ON

MODEL

PROJECT NO.

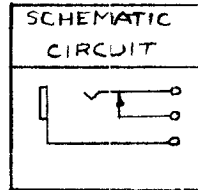
ASS'Y. NO.

DATE



TO BE SUPPLIED BY MFGR.

BRASS NICKEL PLATED LOCKNUT 3/8-32 THREAD X 3/32 THICK,
1/2 ACROSS FLATS.
BRASS NICKEL PLATED WASHER 5/8 O.D. X 1/16 THICK.



TMC EQUIV.

FW 37MSN - FLAT WASHER.
NTH 3732 BN16 - NUT HEXAGON.

DIMENSIONS FOR REF. ONLY

REF: SWITCHCRAFT INC. C-12 A

REQ.	ITEM	PART NO.	DESCRIPTION	SYMBOL
		—//—	THE TECHNICAL MATERIEL CORP. MAMARONECK. NEW YORK	
		STOCK SIZE		
		—//—	JACK	
		MATERIAL WEIGHT PER PC.		
		—//—	15 12 5-52	
		TYPE & TEMPER		
		—//—	DRAWN	
		HEAT TREAT. SPEC.		
		—//—	CHECKED	
		FINISH & SPEC. NO.		
			FINAL APPROVAL	
			JJ-089	A

A	1	Hdware info. added	1/23/57	1	SC	16	<i>AP</i>
ISSUE	ITEM	CHANGED FROM	DATE	CN. NO.	DRAFTS	CHECKER	ENG. APP.

TOLERANCES

SCALE FULL SIZE

ALL OTHERS

DEC. DIM. ±.005
FRAC. DIM. ±1/64
ANGULAR DIM. ±

DRILL, PUNCH, COMMERCIAL STOCK
SIZES AND MANUFACTURERS
TOLERANCES ARE NOT INCLUDED.