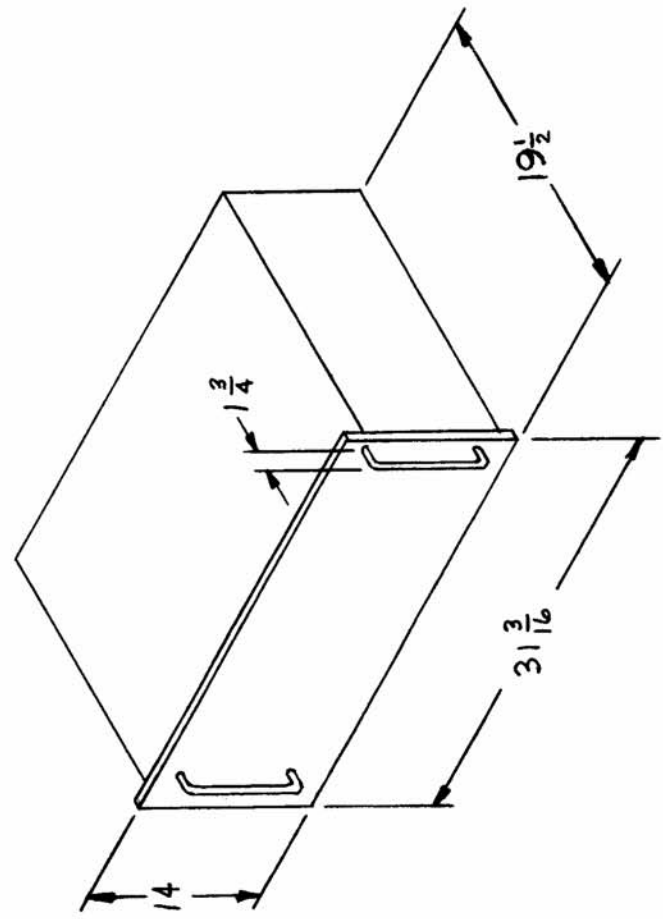


REQ. PER UNIT	USED ON	IN-1074	Ø
MODEL	ASSY. NO.		
RTS-2	DATE		



REQ. ITEM	PART NO.	DESCRIPTION	SYMBOL
		THE TECHNICAL MATERIEL CORP. MAMARONECK. NEW YORK	
		DIMENSIONAL OUTLINE DRAWING MODEL RTS-2	
Ø		MJT 11-6-58	
ISSUE ITEM	CHANGED FROM	DATE	CH. NO.
	ORIGINAL RELEASE	9/26/69	00
TOLERANCES			
DEC. DIM. ±			
FRAC. DIM. ±			
ANGULAR DIM. ±			
SCALE:			
MAXIMUM ALLOWABLE TOLERANCES HAVE BEEN DETERMINED AND ANY DEVIATIONS WILL BE CAUSE FOR REJECTION. REMOVE ALL BURRS AND SHARP EDGES			
		CHECKER	ENG. APP.
		DRAFTS	
		TYPE & TEMPER	HEAT TREAT. SPEC.
		DRAWN	CHECKED
		FINAL APPROVAL	
		IN-1074 Ø	