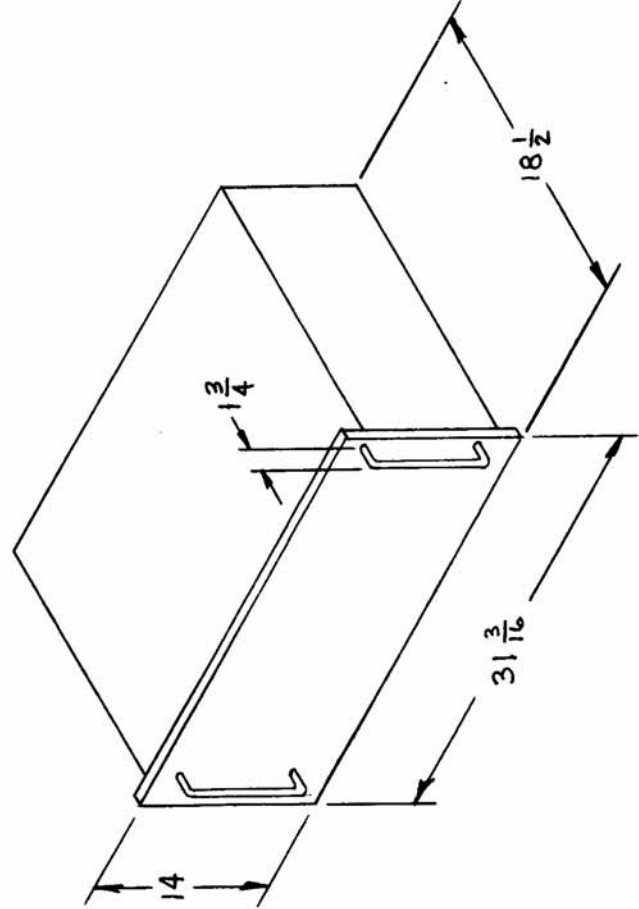


REQ. PER UNIT	MODEL	USED ON
	RTM-2	ASS'Y. NO.
		DATE
		IN-1072
		Φ



REQ. ITEM	PART NO.	DESCRIPTION	SYMBOL
		THE TECHNICAL MATERIEL CORP. MAMARONECK. NEW YORK	
		DIMENSIONAL OUTLINE DRAWING	
		MODEL RTM-2	
		MJT 11-6-58	9/26/69
		DRAWN	FINAL APPROVAL
		CHECKED	
		ELEC. DES. APP. MECH. DES. APP.	
		FINISH & SPEC. NO.	IN-1072
		Φ	

ISSUE ITEM	CHANGED FROM	DATE	CH. NO.	DRAFTS	CHECKER	ENG. APP.
Φ	ORIGINAL RELEASE	9/26/69			ω	

SCALE:

TOLERANCES

DEC. DIM. ±
FRAC. DIM. ±
ANGULAR DIM. ±

MAXIMUM ALLOWABLE TOLERANCES HAVE BEEN DETERMINED AND ANY DEVIATIONS WILL BE CAUSE FOR REJECTION. REMOVE ALL BURRS AND SHARP EDGES