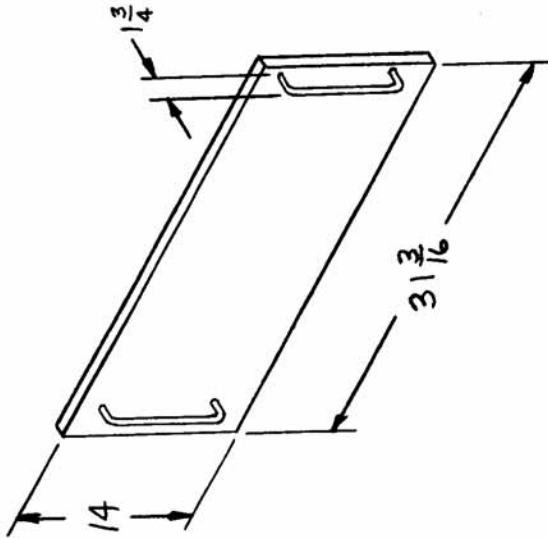


1N-1071

USED ON
 MODEL RTY-2
 ASSY. NO.
 DATE

REQ. PER UNIT
 DATE
 CH. NO. DRAFTS
 CHECKER
 ENG. APP.



REQ. ITEM	PART NO.	DESCRIPTION	SYMBOL
		THE TECHNICAL MATERIEL CORP. MAMARONECK. NEW YORK	
		DIMENSIONAL OUTLINE DRAWING	
		MODEL RTY-2	
		MJT 11-7-58	
		DRAWN	
		CHECKED	
		FINAL APPROVAL	
		ELEC. DES. APP.	
		MECH. DES. APP.	
		FINISH & SPEC. NO.	
		1N-1071	

ISSUE ITEM	CHANGED FROM	DATE	CH. NO.	DRAFTS	CHECKER	ENG. APP.
Ø	ORIGINAL RELEASE					

TOLERANCES

MAXIMUM ALLOWABLE TOLERANCES HAVE BEEN DETERMINED AND ANY DEVIATIONS WILL BE CAUSE FOR REJECTION. REMOVE ALL BURRS AND SHARP EDGES

DEC. DIM. ±
 FRAC. DIM. ±
 ANGULAR DIM. ±