

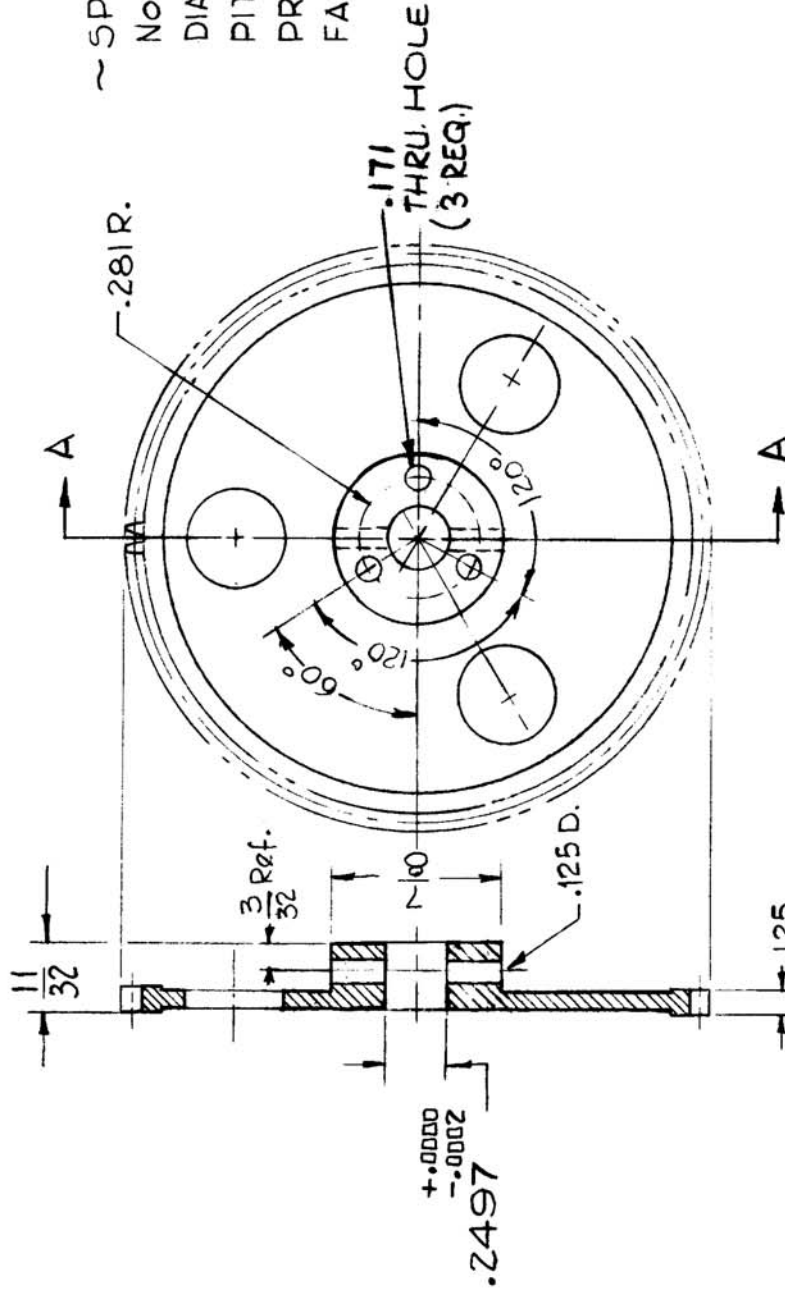
THE CONTENTS OF THIS DRAWING ARE THE EXCLUSIVE PROPERTY OF THE TECHNICAL MATERIEL CORP. ITS UNAUTHORIZED USE OR REPRODUCTION IN WHOLE OR IN PART IS STRICTLY FORBIDDEN.

REQ. PER UNIT
1

MODEL
HFR-1

USED ON
ASS'Y. NO.
7-26-62

GR-181



~ SPECIFICATIONS ~

No. OF TEETH = 144
DIAMETRAL PITCH = 48
PITCH DIA. = 3.000
PRESSURE ANGLE = 20°
FACE = 1/8

SECTION "A-A"

BOSTON - CAT. (Y48144 MOD. PER TMC)

REQ. ITEM	PART NO.	DESCRIPTION	SYMBOL
		KRUY	
		THE TECHNICAL MATERIEL CORP. MAMARONECK, NEW YORK	
		BRASS	
		GEAR, SPUR	
		G.D.L.	
		DRAWN	
		CHECKED	
		TYPE & TEMPER	
		HEAT TREAT. SPEC.	
		FINISH & SPEC. NO.	
		ELEC. DES. APP.	
		MECH. DES. APP.	
			GR-181
			FINAL APPROVAL

SCALE:

UNLESS OTHERWISE SPECIFIED:
DIMENSIONS ARE IN INCHES
TOLERANCES ON
FRAC. ± 1/64 DEC. ± .005 ANGLES ± 1/2°
MAXIMUM ALLOWABLE TOLERANCES HAVE
BEEN DETERMINED AND ANY DEVIATIONS
WILL BE CAUSE FOR REJECTION.
REMOVE ALL BURRS AND SHARP EDGES