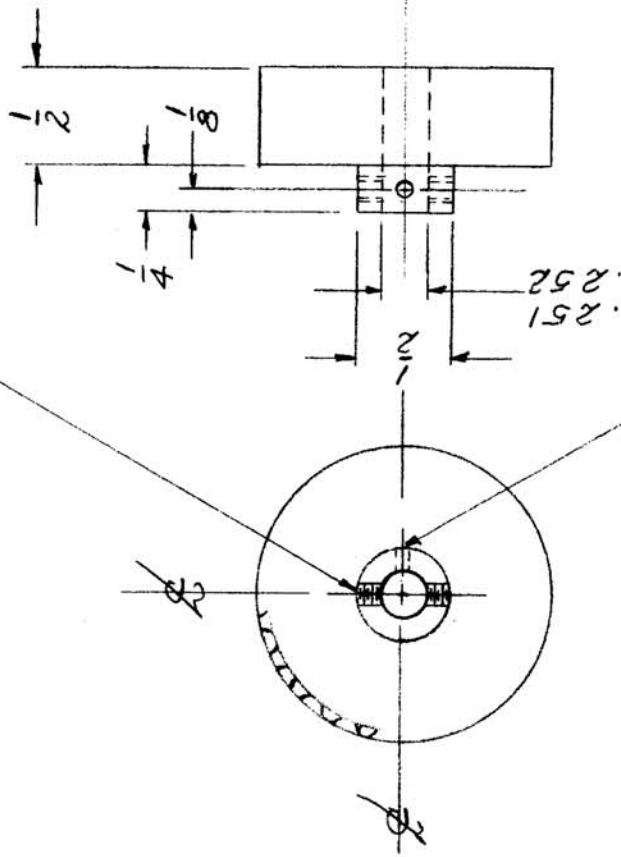


REV. PART UNIT	1
USED ON	
MODEL	RTF-2
ABBY. N.	P/A
DATE	11-5-58
GR-138	

TAPPED 6-32 - 2 REQ.



(2) 6-32 X 1/8 LONG HEXAGONAL SOCKET SET SCREWS: SUPPLIED BY MFR.

GEAR DATA

TEETH 24
 PITCH DIA. 1.500
 DIAMETRAL PITCH 16
 NORMAL PITCH 22.63
 NORMAL PA 14 1/2
 FACE 1/2"
 LEFT HAND GEAR - 45°
 HELIX ANGLE - 45°
 COMMERCIAL TOL. CLASS 3

NOTE - MESHES WITH GR-128

REF.: NEW JERSEY GEAR WORKS

REQ. ITEM	PART NO.	DESCRIPTION	SYMBOL
	CAD	THE TECHNICAL MATERIEL CORP.	
	STOCK SIZE	MAMARONECK, NEW YORK	
	MATERIAL	GEAR, HELICAL	
	HARDENED		POW/AMP
	TYPE & TEMPER		11-5-58
	HEAT TREAT. SPEC.		RHC
	CHECKER		W
	ENG. APP.		W
	DATE		11-5-58
	CH. NO.		
	DRAFTS		
	CHECKER		
	SCALE:	FULL SIZE	
ISSUE ITEM	CHANGED FROM	TOLERANCES	
DEC. DIM. ±		MAXIMUM ALLOWABLE TOLERANCES HAVE BEEN DETERMINED AND ANY DEVIATIONS WILL BE CAUSE FOR REJECTI N.	
FRAC. DIM. ±		REMOVE ALL BURRS AND SHARP EDGES	
ANGULAR DIM. ±			
	FINISH & SPEC. NO.		GR-138
	ELEC. DES. APP.		
	MECH. DES. APP.		
	DRAWN		
	CHECKED		
	FINAL APPROVAL		