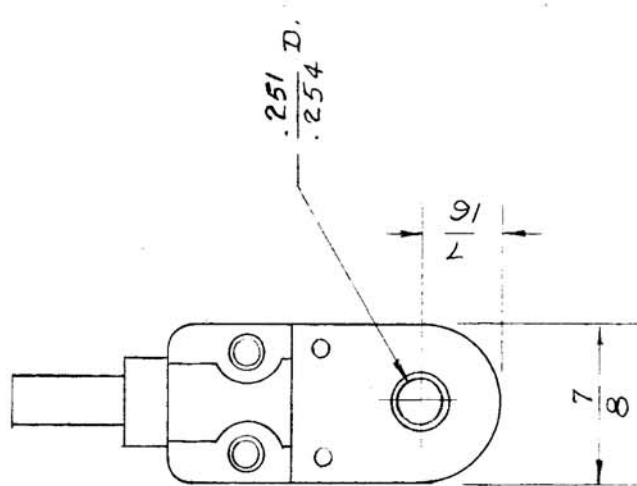
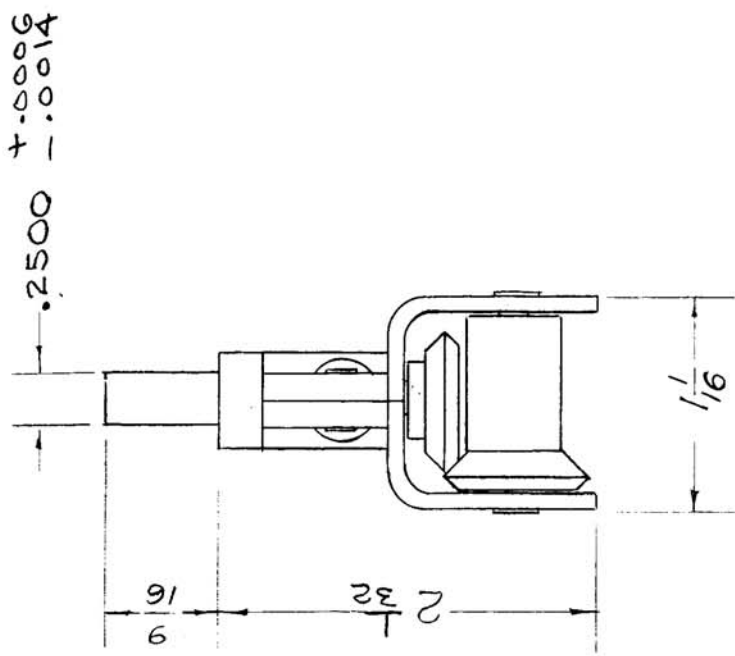


REQ. PER UNIT		USED ON	
1	RTF	ASSY. NO.	DATE
1	RTF-2	MULT	10/26/55
			11-20-58

GR-125 B



REF: NATIONAL CO. TRAD # C25769-3

REQ. ITEM	PART NO.	DESCRIPTION	SYMBOL
B		THE TECHNICAL MATERIEL CORP. MAMARONECK. NEW YORK	
A		RIGHT ANGLE DRIVE	
ISSUE ITEM		MATERIAL	GPT-750
2	2 1/32 WAS 2		
1	SHAFT DIA WAS .247/250		
1	9/16 WAS 1		
CHANGED FROM	DATE	CH. NO.	DRAFTS
	8/4/58	1	
	1-20-56		
CHECKER	ENG. APP.		
JAD	WDL		
DATE	10/26/55		
DRAWN			
CHECKED			
TYPE & TEMPER		HEAT TREAT. SPEC.	
FINISH & SPEC. NO.			
ELEC. DES. APP.		MECH. DES. APP.	
MULTIPLIER			
GPT-750			
FINAL APPROVAL			
A. J. J.			
GR-125			
B			

TOLERANCES
 MAXIMUM ALLOWABLE TOLERANCES HAVE
 BEEN DETERMINED AND ANY DEVIATIONS
 WILL BE CAUSE FOR REJECTION.
 REMOVE ALL BURRS AND SHARP EDGES