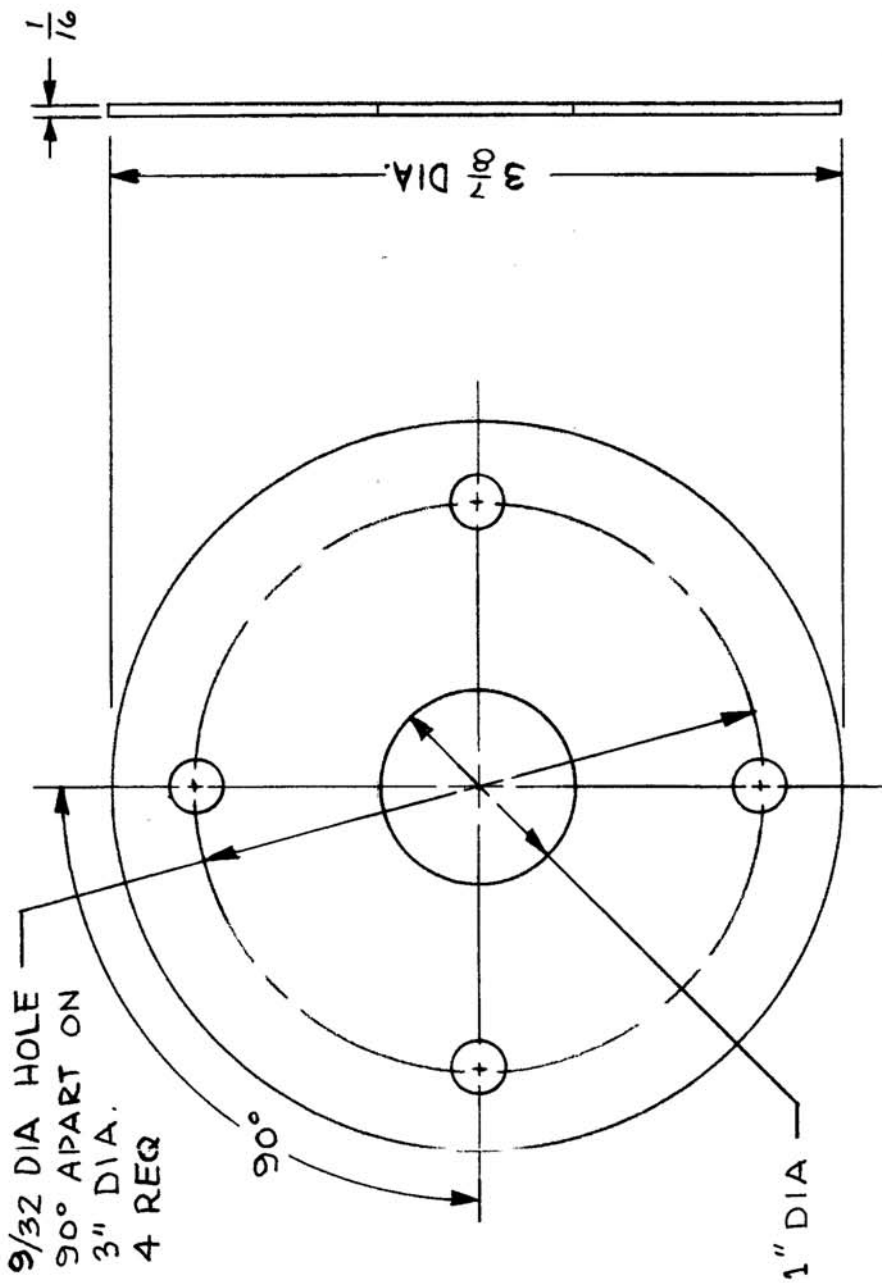


THE CONTENTS OF THIS DRAWING ARE THE EXCLUSIVE PROPERTY OF THE TECHNICAL MATERIEL CORP. ITS UNAUTHORIZED USE FOR REPRODUCTION IN WHOLE OR IN PART IS STRICTLY FORBIDDEN.

REQ. PER UNIT	MODEL	USED ON ASS'Y. NO.	DATE
1	AX-406		1-31-63
1	AX-408		1-31-63

GA-154



REQ. ITEM	PART NO.	MARTINENGO DESCRIPTION	SYMBOL
1/16 THICK STOCK SIZE		THE TECHNICAL MATERIEL CORP. MAMARONECK. NEW YORK	
SILICONE RUBBER		GASKET, SILICONE	
DURUMETER 40-45	MATERIAL	M.TANTILLO 1-31-63	
TYPE & TEMPER HEAT TREAT. SPEC.	FINISH & SPEC. NO.	DRAWN	
		CHECKED	
		ELEC. DES. APP. MECH. DES/APP.	
		DATE	
		CH. NO.	
		DRAFTS	
		CHECKER	
		ENG. APP.	
		SCALE	
		DESCRIPTION	
		UNLESS OTHERWISE SPECIFIED DIMENSIONS ARE IN INCHES AND INCLUDE CHEMICALLY APPLIED OR PLATED FINISHES	
		TOLERANCES	
		FRACTIONS	
		DECIMALS	
		ANGLES	
		FINISH & SPEC. NO.	
		GA-154	
		FINAL APPROVAL	