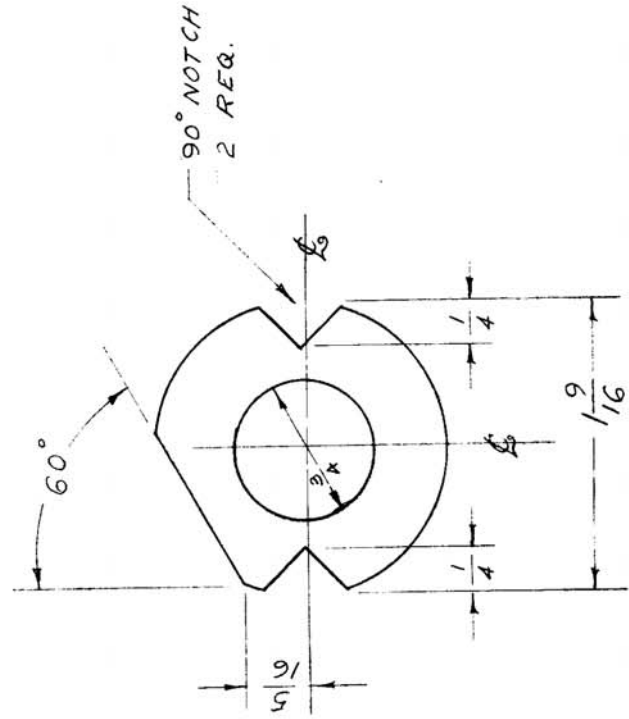


IF IT IS FOUND DESIRABLE TO CHANGE ANY TOLERANCE OR OTHER DETAIL SPECIFIED ON THIS DRAWING NOTIFY THE PURCHASER PROMPTLY.

MAXIMUM ALLOWABLE TOLERANCES HAVE BEEN DETERMINED AND DEVIATIONS WILL BE CAUSE FOR REJECTION. REMOVE ALL BURRS AND SHARP EDGES



GA-133

USED ON

REQ. PER UNIT	MODEL	PROJECT NO.	ASSY. NO.	DATE
1	XFK		A-684	4-18-55

REQ. ITEM	PART NO.	DESCRIPTION	SYMBOL
.025 THK.		THE TECHNICAL MATERIEL CORP.	
STOCK SIZE		MAMARONECK. NEW YORK	
FISH PAPER		COIL FORM GASKET	
MATERIAL			
TYPE & TEMPER			
WEIGHT PER PC.			
HEAT TREAT. SPEC.			
FINISH & SPEC. NO.			

ISSUE ITEM	CHANGED FROM	DATE	CN. NO.	DRAFTS CHECKER	ENG. APP.
SCALE					
TOLERANCES					
DEC. DIM. ±					
FRAC. DIM. ± 1/64					
OTHERS ANGULAR DIM. ±					
DRILL, PUNCH, COMMERCIAL STOCK SIZES AND MANUFACTURERS TOLERANCES ARE NOT INCLUDED.					
DRAWN				ELEC. DES. APP.	MECH. DES. APP.
CHECKED					
FINAL APPROVAL					
					GA-133