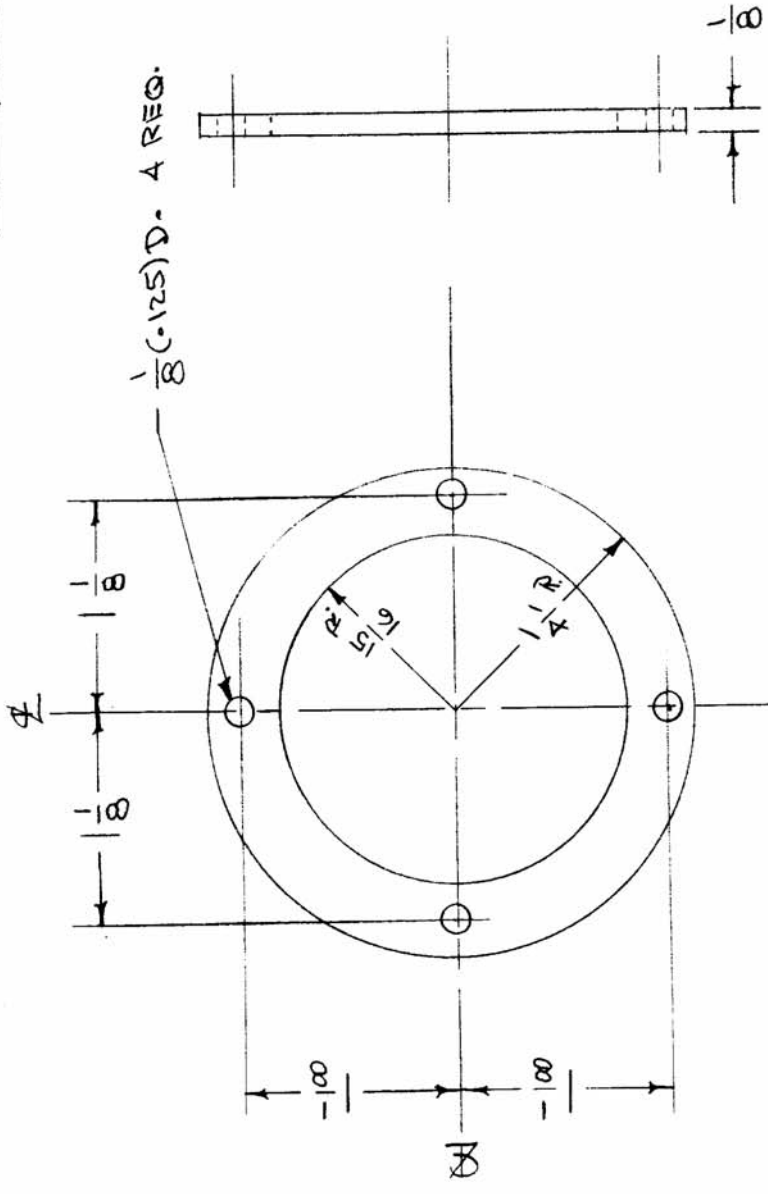


IF IT IS FOUND DESIRABLE TO CHANGE ANY TOLERANCE OR OTHER DETAIL SPECIFIED ON THIS DRAWING NOTIFY THE PURCHASER PROMPTLY.

MAXIMUM ALLOWABLE TOLERANCES HAVE BEEN DETERMINED AND DEVIATIONS WILL BE CAUSE FOR REJECTION. REMOVE ALL BURRS AND SHARP EDGES



GA-121

REQ. PER UNIT 2	USED ON	
	MODEL CTAC	PROJECT NO. A-199
	ASSY. NO.	DATE
		G-30-54

REQ. ITEM	PART NO.	DESCRIPTION	SYMBOL
1/8 THK.		THE TECHNICAL MATERIEL CORP. MAMARONECK. NEW YORK	
STOCK SIZE		GASKET, INSULATOR	
MATERIAL NEOPRENE		CTAC	
WEIGHT PER PC.			
TYPE & TEMPER			
HEAT TREAT. SPEC.			
FINISH & SPEC. NO.			

ISSUE ITEM	CHANGED FROM	DATE	CN. NO.	DRAFTS	CHECKER	ENG. APP.
TOLERANCES						
SCALE						
DEC. DIM. ±						
FRAC. DIM. ± 1/64						
OTHERS ANGULAR DIM. ±						
DRILL, PUNCH, COMMERCIAL STOCK SIZES AND MANUFACTURERS TOLERANCES ARE NOT INCLUDED.						
FINAL APPROVAL						GA-121