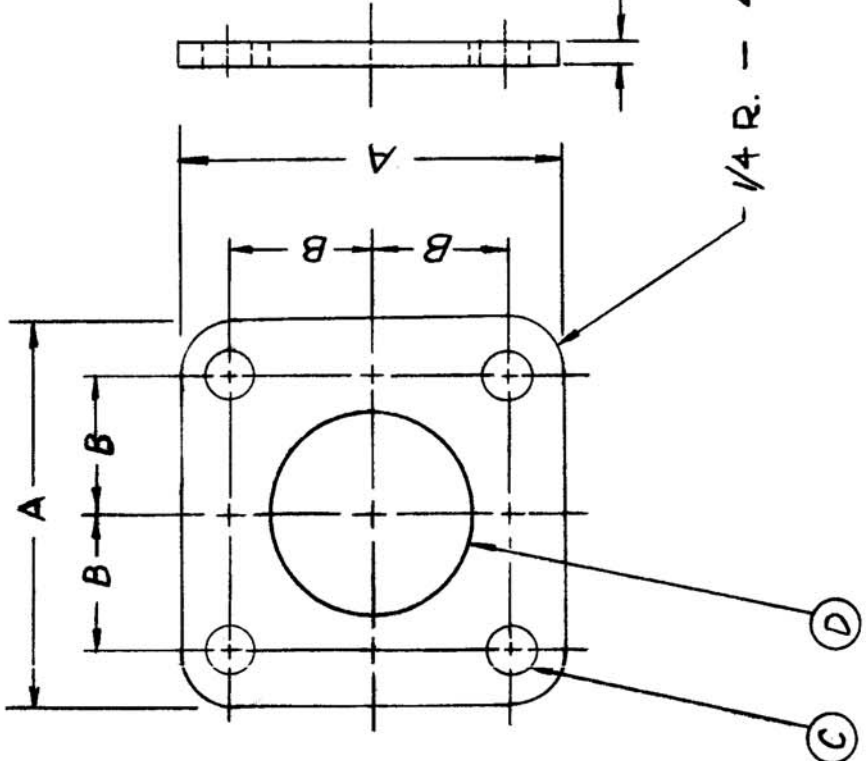


GA10002 C

USED ON
PROJECT NO.
MODEL
ASSY. NO.
DATE
JULY 19/60

TABLE OF CONNECTORS TO BE USED WITH
THIS GASKET

CONNECTOR	A	B	C	DIA. D	PART NO.
UG-352/U	2	23/32	9/32	1	GA10002-1
UG-560/U	1-5/16	29/64	5/32	1/16	GA10002-2



IF IT IS FOUND DESIRABLE TO CHANGE ANY TOLERANCE OR OTHER DETAIL SPECIFIED ON THIS DRAWING NOTIFY THE PURCHASER PROMPTLY.

MAXIMUM ALLOWABLE TOLERANCES HAVE BEEN DETERMINED AND DEVIATIONS WILL BE CAUSE FOR REJECTION. REMOVE ALL BURRS AND SHARP EDGES

C	DIM. D FOR GA10002-2 WAS 1" 8/59	OCT	JPC	
B	REDRAWN NO CHANGE	6/17/59	JPC	Adh
ISSUE ITEM	CHANGED FROM	DATE	CN. NO.	DRAFTS CHECKER ENG. APP.
TOLERANCES				
SCALE 1:1				

DEC. DIM. ± 1/64
FRAC. DIM. ± 1/64
ANGULAR DIM. ±

DRILL, PUNCH, COMMERCIAL STOCK SIZES AND MANUFACTURERS TOLERANCES ARE NOT INCLUDED.

REQ. ITEM	PART NO.	DESCRIPTION	SYMBOL
	3/32 THK.	TMC (Canada) LIMITED OTTAWA ONTARIO	
	NEOPRENE	NEOPRENE GASKET	
	MATERIAL	WEIGHT PER PC.	
	TYPE & TEMPER		
	HEAT TREAT. SPEC.		
	FINISH & SPEC. NO.		
		J.P.C.	
		DRAWN	
		CHECKED	
		ELEC. DES. APP.	
		MECH. DES. APP.	
FINAL APPROVAL			
GA10002 C			