

CU-149

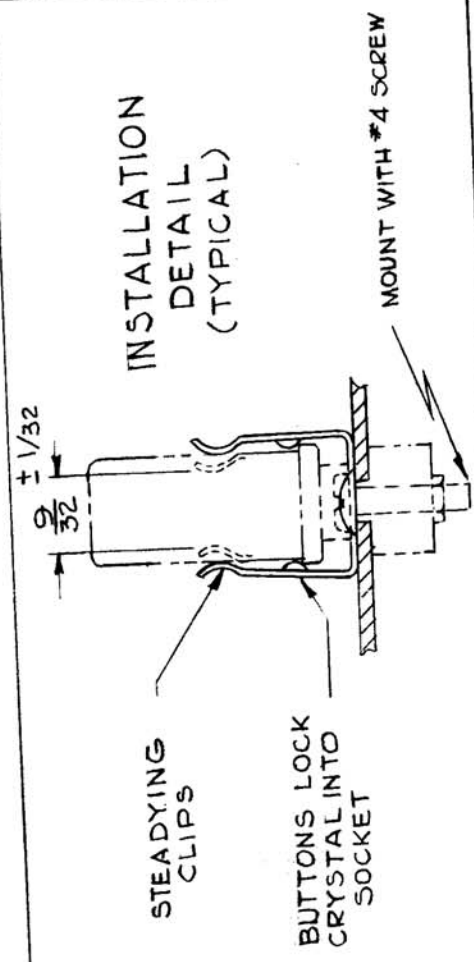
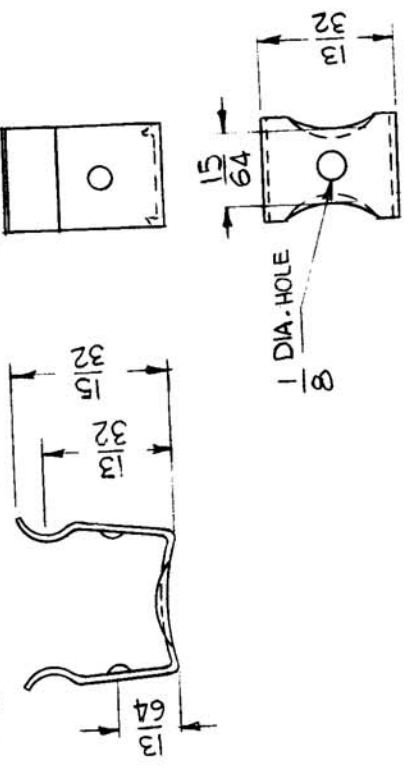
USED ON  
ASSY. NO.  
7-3-63

MODEL  
TTR-10

REQ. PER UNIT

THE CONTENTS OF THIS DRAWING ARE THE EXCLUSIVE PROPERTY OF THE TECHNICAL MATERIEL CORP. ITS UNAUTHORIZED USE FOR REPRODUCTION IN WHOLE OR IN PART IS STRICTLY FORBIDDEN.

TMC	MFRS.	FOR USE WITH HOLDERS
PART NO.	PART NO.	
CU-149-1	K-33082	HC-6/U, 13/U, 14/U, 17/U



- SPECIFICATIONS:**
- MATERIAL: .018 THK. PHOSPHOR BRONZE
  - FINISH: NICKEL
  - APPLICATION: FOR USE WITH HOLDERS SHOWN IN CHART
  - INSTALLATION: SEE DETAIL
  - MTG. HARDWARE NOT SUPPLIED

REQ. ITEM	PART NO.	DESCRIPTION	SYMBOL
SEE SPEC. No.1		THE TECHNICAL MATERIEL CORP. MAMARONECK, NEW YORK	
SEE SPEC. No.1		STOCK SIZE	
SEE SPEC. No.1		SEE SPEC. No.1	
		MATERIAL	
		TYPE & TEMPER	
		HEAT TREAT. SPEC.	
		SEE SPEC. No.2	
		FINISH & SPEC. NO.	
		DATE	
		CH. NO.	
		DRAFTS	
		CHECKER	
		ENG. APP.	
		SCALE	
		NOT TO SCALE	
		CODE	
		5401-101	
		UNLESS OTHERWISE SPECIFIED DIMENSIONS ARE IN INCHES AND INCLUDE CHEMICALLY APPLIED OR PLATED FINISHES	
		FRACTIONS	
		± 1/64	
		ANGLES	
		± 0° 30'	
		DECIMALS	
		± .05	
		± .01	
		± .005	
		TOLERANCES	
		7.16.63	
		YF H	
		FINAL APPROVAL	
		CU-149	
		MECH. DES. APP.	
		7.18.63	
		ROV Kohn	
		CHECKED	
		G.D.L	
		DRAWN	