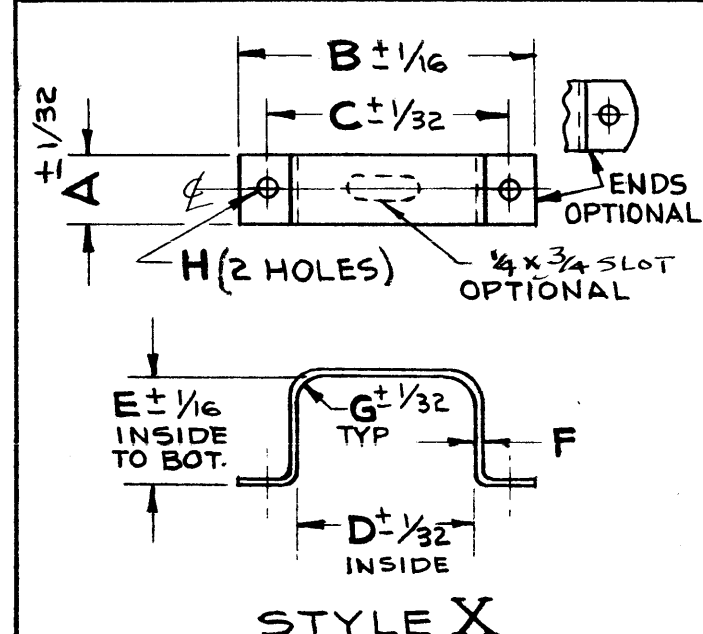
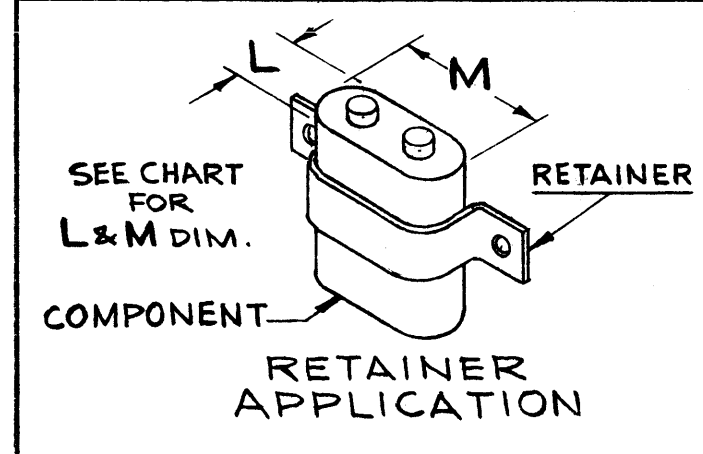


			DIMENSIONS								FOR COMPONENT SIZE		FOR USE WITH TMC CAPACITOR NO.
TMC NO.	MFRS NO.	STYLE	A	B	C	D	E	F	G	H	L	M	
CU-143-1	36-928	X	3/4	2 15/16	2 9/16	2 3/32	1 7/32	.030	5/8	.188	1 5/16	2 5/32	CP-113-1

REVISIONS						
SYM	DESCRIPTION	DATE	E.M.N. NO.	DRAFT	CHKD	APPD



STYLE X



SPECIFICATIONS:

1. MATERIAL: STEEL
2. STOCK SIZE: SEE CHART DIM "F"
3. FINISH: CADMIUM PLATE

NOTICE TO PERSONS RECEIVING THIS DRAWING

THE TECHNICAL MATERIEL CORPORATION claims proprietary right in the material disclosed herein. This drawing is issued in confidence for engineering information only and may not be reproduced or used to manufacture anything shown hereon without permission from THE TECHNICAL MATERIEL CORPORATION to the user. This drawing is loaned for mutual assistance and is subject to recall at any time.

Property of:
THE TECHNICAL MATERIEL CORPORATION
MAMARONECK, NEW YORK

NOTES

Q'TY./UNIT	MODEL USED ON	ASS'Y. NO.
	RAK-21	
SCALE	CODE	5401-49

THE CONTENTS OF THIS DRAWING ARE THE EXCLUSIVE PROPERTY OF THE TECHNICAL MATERIEL CORP. ITS UNAUTHORIZED USE OR REPRODUCTION IN WHOLE OR IN PART IS STRICTLY FORBIDDEN.

REQ'D.	ITEM	PART NUMBER	DESCRIPTION	SYMBOL
LIST OF MATERIAL				
MATERIAL		THE TECHNICAL MATERIEL CORP. MAMARONECK, NEW YORK		
FINISH		TITLE RETAINER, CAPACITOR		
UNLESS OTHERWISE SPECIFIED DIMENSIONS ARE IN INCHES AND INCLUDE CHEMICALLY APPLIED OR PLATED FINISHES		DRAWN	DATE	FINAL APPROVAL
DECIMALS .X ± .05 .XX ± .01 .XXX ± .005			12-11-62	
FRACTIONS ± 1/64 ANGLES ± 0° 30'		CHECKED	DATE	
TOLERANCES			2/11/63	
		ELECT. DES.	DATE	
			2/11/63	
		MECH. DES.	DATE	
			2-8-63	
SHEET				REV. LTR.