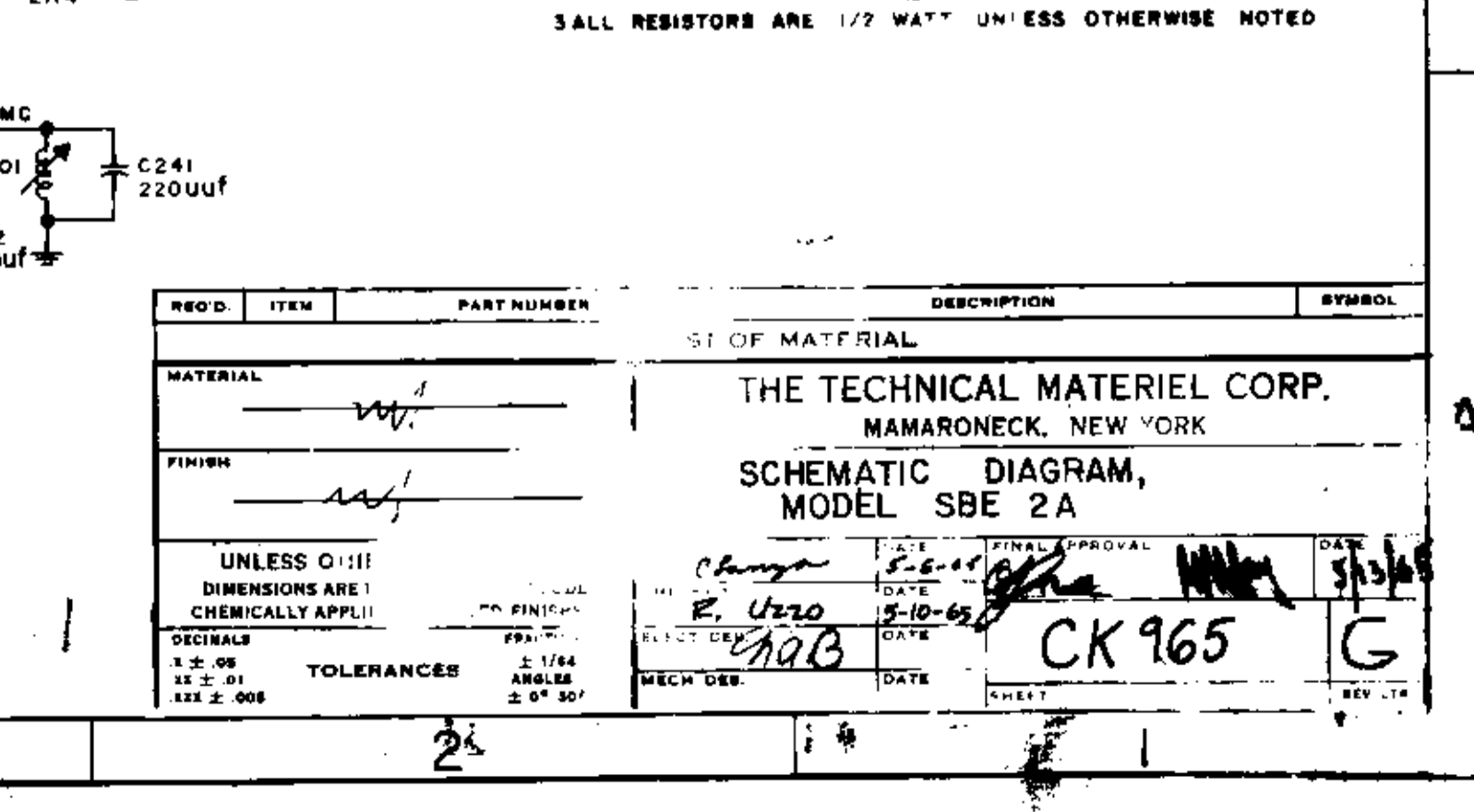
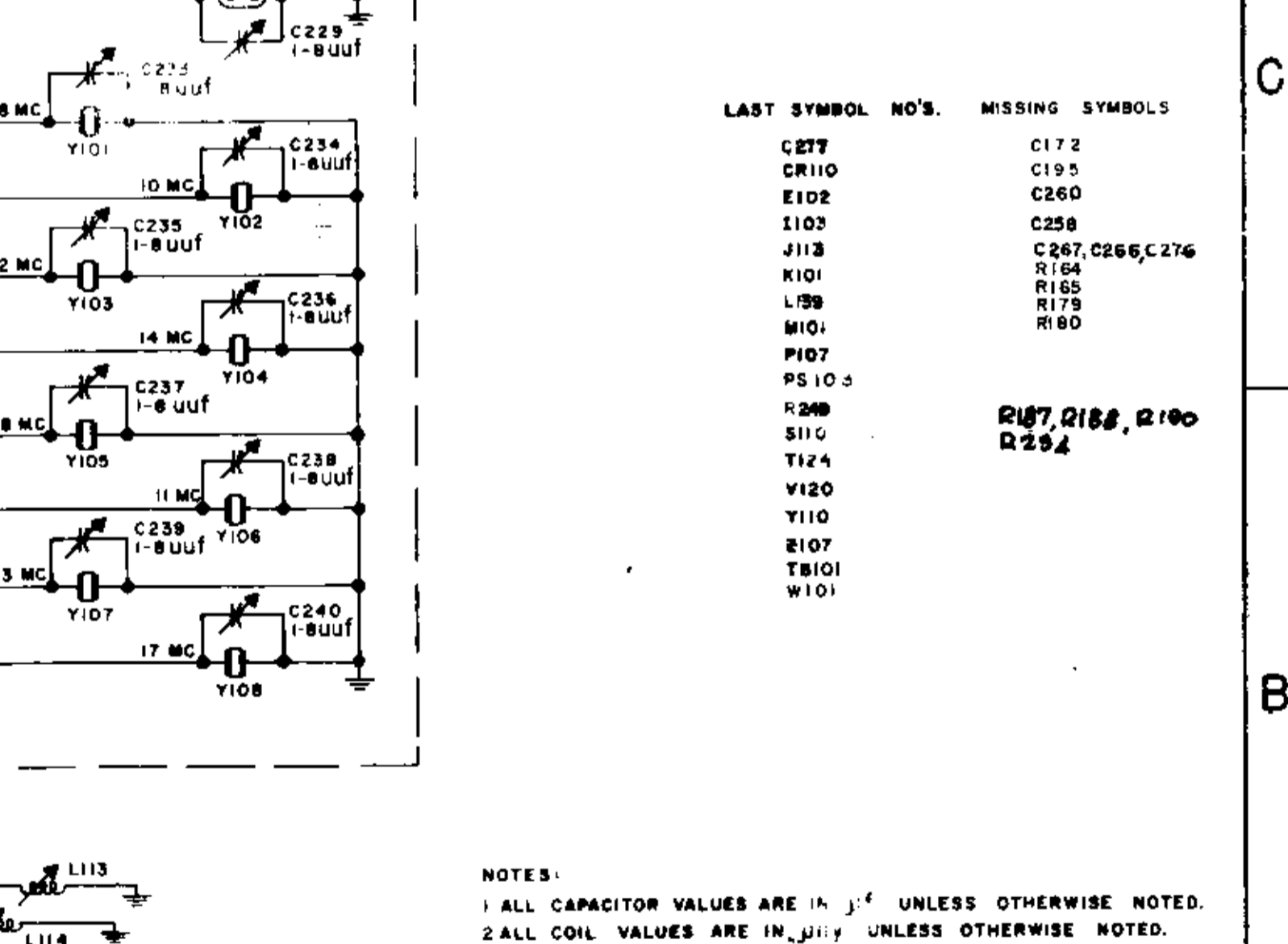
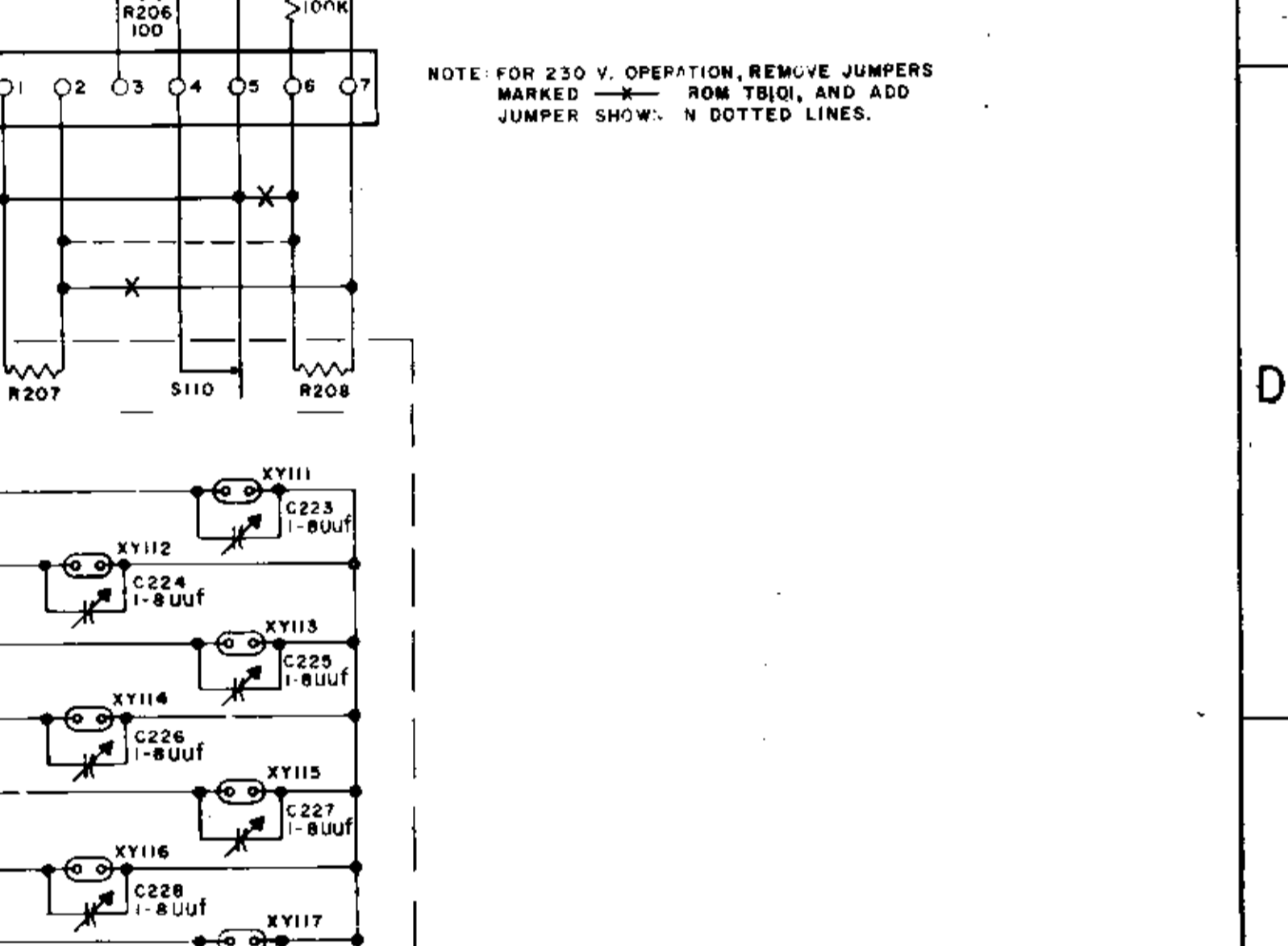
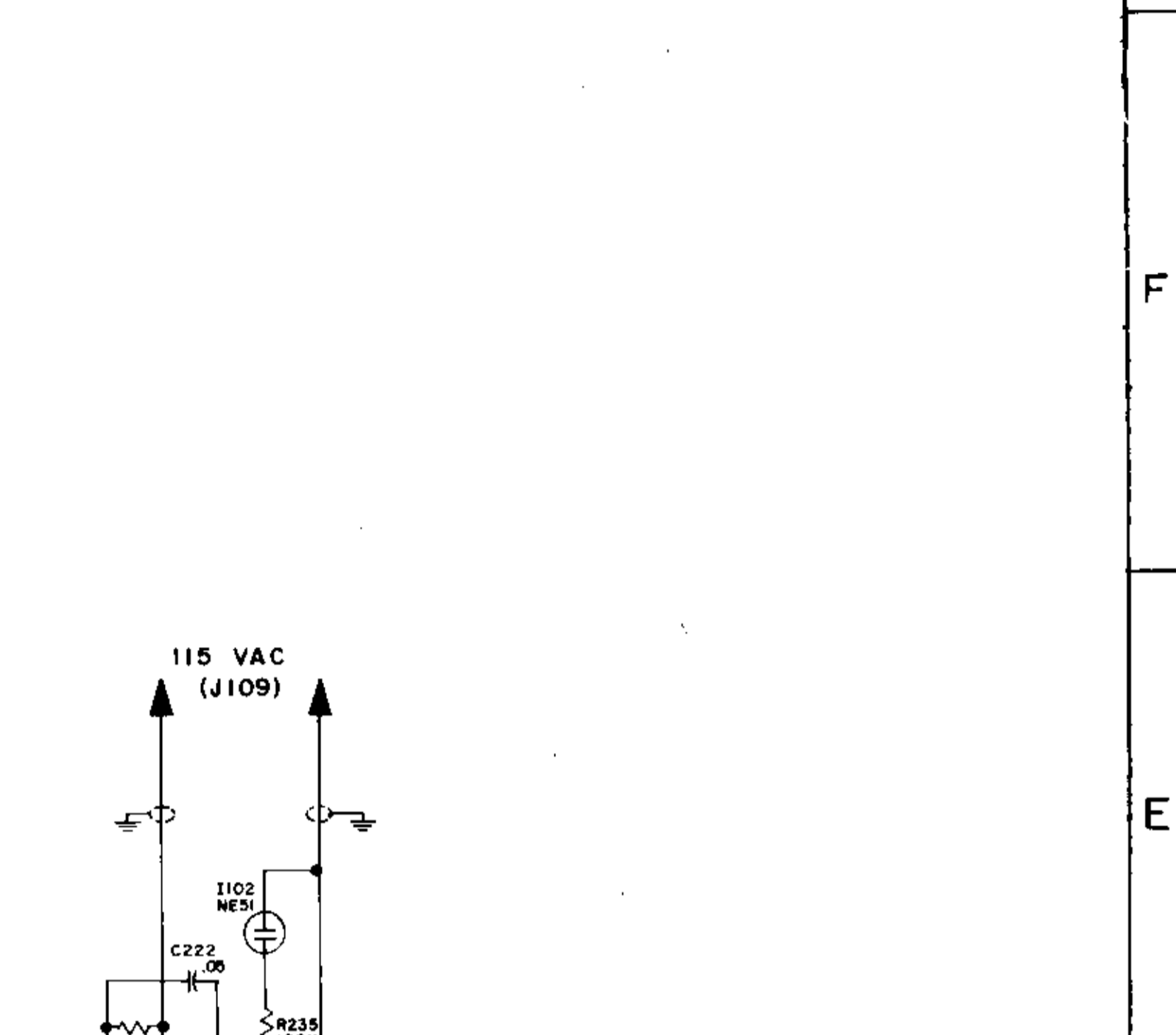
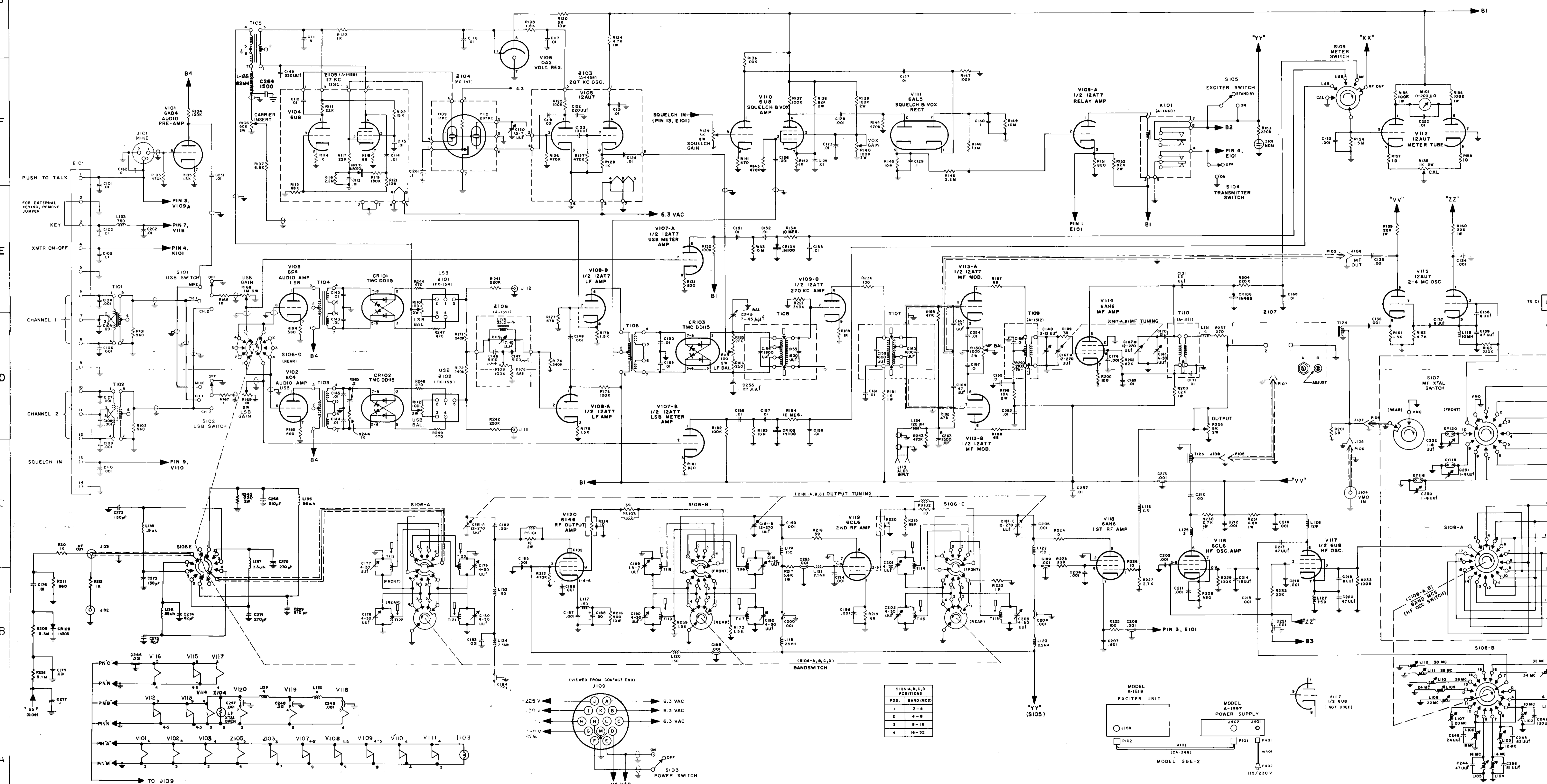


REV	DATE	DESCRIPTION	BY	CHKD	APPD
X	5-6-47	EXP. RELEASE			
A	7-11-47	ORIGINAL DESIGNATION			
B	7-11-47	C264, R144, R188, C276, L5 OUT ADDED	WIL	M710	RW
C	7-11-47	C276, R144, R188, C276, L5 OUT ADDED	WIL	M710	RW
D	7-11-47	REVISED R155, R156, R157, R158, C276, L5 OUT ADDED	WIL	M710	RW
E	7-11-47	R158 & DELETED C276	WIL	M710	RW



LAST SYMBOL NOS. MISSING SYMBOLS

C272	C172
C273	C173
C274	C174
C275	C175
C276	C176
C277	C177
C278	C178
C279	C179
C280	C180
C281	C181
C282	C182
C283	C183
C284	C184
C285	C185
C286	C186
C287	C187
C288	C188
C289	C189
C290	C190
C291	C191
C292	C192
C293	C193
C294	C194
C295	C195
C296	C196
C297	C197
C298	C198
C299	C199
C300	C200

NOTES:  
 1. ALL CAPACITOR VALUES ARE IN μF UNLESS OTHERWISE NOTED.  
 2. ALL COIL VALUES ARE IN MH UNLESS OTHERWISE NOTED.  
 3. ALL RESISTOR VALUES ARE IN OHMS UNLESS OTHERWISE NOTED.

REV	DATE	PART NUMBER	DESCRIPTION	APPROV
1	7-11-47	MODEL SBE-2	SCHEMATIC DIAGRAM, MODEL SBE 2A	CK 965

THE TECHNICAL MATERIEL CORP.  
 MANHATTAN, NEW YORK