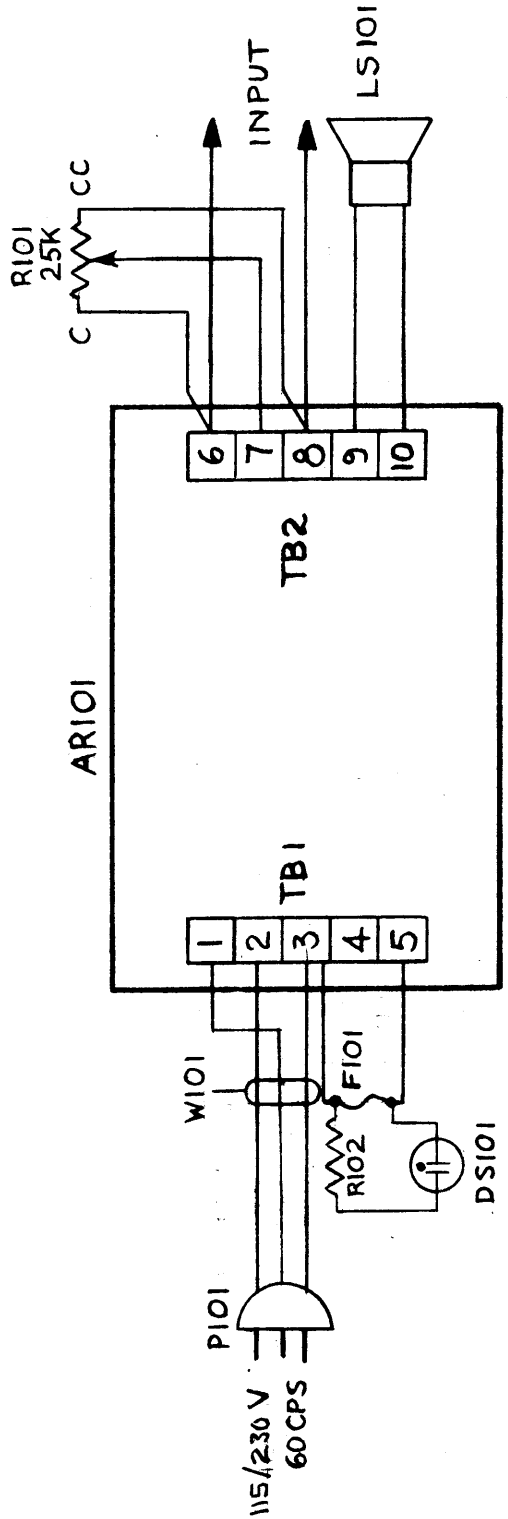


B CK-613

SYM	DESCRIPTION	DATE	E.M.N. NO.	DRAFT	CHKD	APPD
A	NOTE 2.3.3 ADD. ON MODEL 1/0-1A" ADD. LEAD FROM TB1-1 TO P101	8-15-64	12126	NTB		
B	ON P101: 115/230V WAS 115 VAC; 1/8 AMP. DELE. FROM F101; F101 FUSES NOTES ADDED.	3-31-65	13767	XL		

NOTE:
 1. FOR SCHEMATIC DIAGRAM OF AUDIO AMPLIFIER (TMC NO. AZ-100) SEE CK-619
 2. FOR SCHEMATIC DIAGRAM OF AUDIO AMPLIFIER AZ104 SEE CK 745
 3. FOR SCHEMATIC DIAGRAM OF AUDIO AMPLIFIER AZ104A SEE CK 779



AUDIO AMPLIFIER
(SEE NOTE 1)

FUSES F101:
 1/4 A FOR 115V OPERATION
 1/8 A FOR 230V OPERATION

NOTICE TO PERSONS RECEIVING THIS DRAWING

THE TECHNICAL MATERIEL CORPORATION claims proprietary right in the material disclosed herein. This drawing is issued in confidence for engineering information only and may not be reproduced or used to manufacture anything shown herein without permission from THE TECHNICAL MATERIEL CORPORATION to the user. This drawing is loaned for mutual assistance and is subject to recall at any time.

Property of:
THE TECHNICAL MATERIEL CORPORATION
 MAMARONECK, NEW YORK

NOTES

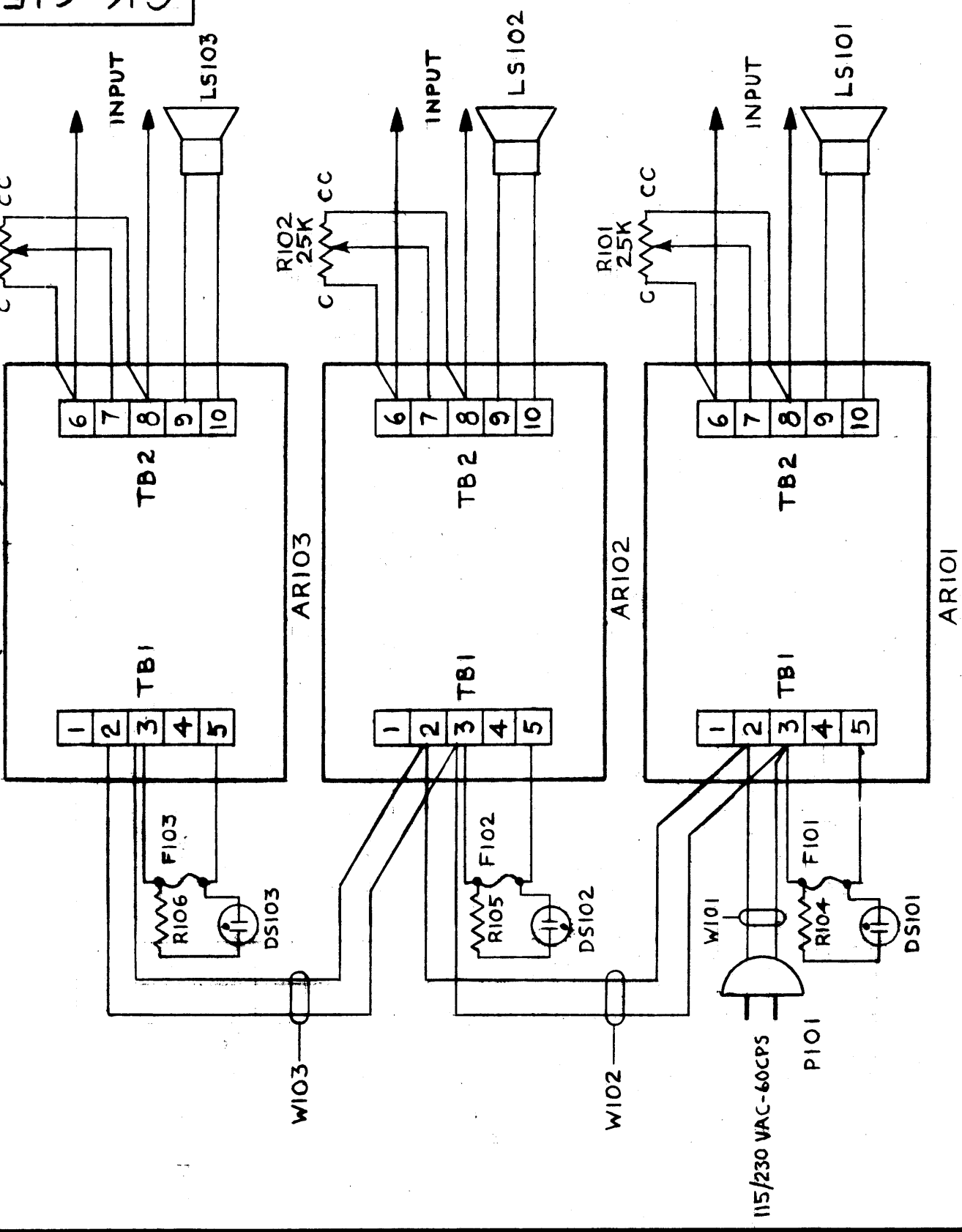
REQ'D.	ITEM	PART NUMBER	DESCRIPTION	SYMBOL
	J. STRUMER		LIST OF MATERIAL	
	MATERIAL		THE TECHNICAL MATERIEL CORP. MAMARONECK, NEW YORK	
	FINISH		SCHEMATIC DIAGRAM	
			UNLESS OTHERWISE SPECIFIED DIMENSIONS ARE IN INCHES AND INCLUDE CHEMICALLY APPLIED OR PLATED FINISHES	
			DECIMALS X ± .05 XX ± .01 XXX ± .008	
			FRACTIONS ± 1/64 ANGLES ± 0° 30'	
			TOLERANCES	
			DATE 12-17-62	DATE
			CHECKED [Signature]	FINAL APPROVAL [Signature]
			DATE 4/3/63	DATE
			ELECT. [Signature]	DATE 4-5-63
			MECH. [Signature]	DATE 4-3-63
				SHEET
			CK-613	B
				REV. LTR.

QTY/UNIT	SCALE	MODEL USED ON	CODE	ASSY. NO.
1		BSP-1,1A		

SYM	DESCRIPTION	DATE	E.M.N. NO.	DRAFT	CHKD	APPD
A	NOTE 2 & 3 ADD. ON MODEL U/O "3A" ADD.	8-13-64	12126	AMB	MM	MM
B	ON F101, F102 & F103: 3/8 AMP, DELEJ PIN: 230 VAC APP; FUSE NOTE ADDED.	4-2-65	13767	QZ	QZ	QZ

CR-615

AUDIO AMPLIFIERS (SEE NOTE 1)



FUSES F101, F102 AND F103:
 1/4A FOR 115 V OPERATION
 1/8A FOR 230V OPERATION

NOTE:

- FOR SCHEMATIC DIAGRAM OF AUDIO AMPLIFIERS (TMC NO. AZ-100) SEE CK-619.
- FOR SCHEMATIC DIAGRAM OF AUDIO AMPLIFIER AZ104 SEE CK745
- FOR SCHEMATIC DIAGRAM OF AUDIO AMPLIFIER AZ 104A SEE CK779

NOTICE TO PERSONS RECEIVING THIS DRAWING

THE TECHNICAL MATERIEL CORPORATION claims proprietary right in the material disclosed hereon. This drawing is issued in confidence for engineering information only and may not be reproduced or used to manufacture anything shown hereon without permission from THE TECHNICAL MATERIEL CORPORATION to the user. This drawing is loaned for mutual assistance and is subject to recall at any time.

Property of:
 THE TECHNICAL MATERIEL CORPORATION
 MAMARONECK, NEW YORK

REQ'D.	ITEM	PART NUMBER	DESCRIPTION	SYMBOL
	STRUMER MATERIAL		LIST OF MATERIAL	
	FINISH		TITLE	
			THE TECHNICAL MATERIEL CORP. MAMARONECK, NEW YORK	
			SCHEMATIC DIAGRAM	

DATE	FINAL APPROVAL	DATE
12-17-62	BP	
4-3-63		
4-3-63		
4-3-63		

DATE	DATE	DATE	DATE
12-17-62	4-3-63	4-3-63	4-3-63

REV.	REV. LTR.
1	B

NOTES

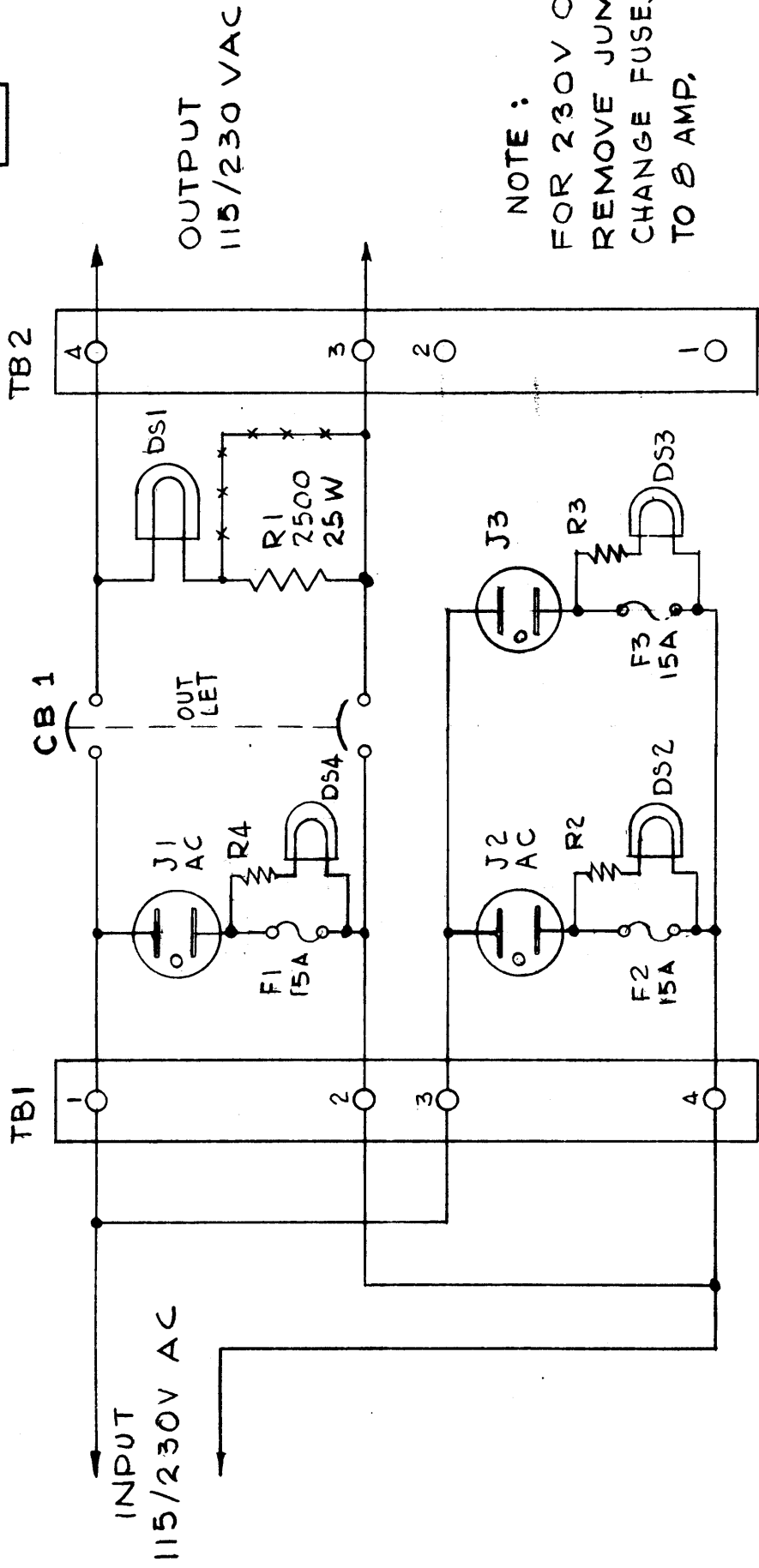
THE CONTENTS OF THIS DRAWING ARE THE EXCLUSIVE PROPERTY OF THE TECHNICAL MATERIEL CORP. ITS UNAUTHORIZED USE OR REPRODUCTION IN WHOLE OR IN PART IS STRICTLY FORBIDDEN.

QTY./UNIT	SCALE	MODEL USED ON	CODE	ASBY. NO.
1		BSP-3,3A		

REVISIONS

SYM	DESCRIPTION	DATE	E.M.N. NO.	DRAFT	CHKD	APPD

CK-624



NOTE :
 FOR 230V OPERATION,
 REMOVE JUMPER MARKED *-*-*
 CHANGE FUSES F1, F2 & F3 FROM 15 AMP
 TO 8 AMP,

REQ'D.	ITEM	PART NUMBER	DESCRIPTION	SYMBOL
	STRUMER		LIST OF MATERIAL	
	MATERIAL		THE TECHNICAL MATERIEL CORP. MAMARONECK, NEW YORK	
	FINISH		TITLE SCHEMATIC DIAGRAM DCP-2	
			DRAWN T. RAMIREZ	DATE 2-11-63
			CHECKED Hyde	DATE 3-18-63
			ELECT. DES. Hyde	DATE 3-18-63
			MECH. DES. Hyde	DATE 3-18-63
			FINAL APPROVAL [Signature]	DATE 3-18-63
			SHEET CK-624	REV. LTR.

1	DCP-2	MODEL USED ON	ASSY. NO.
QTY./UNIT	SCALE	CODE	

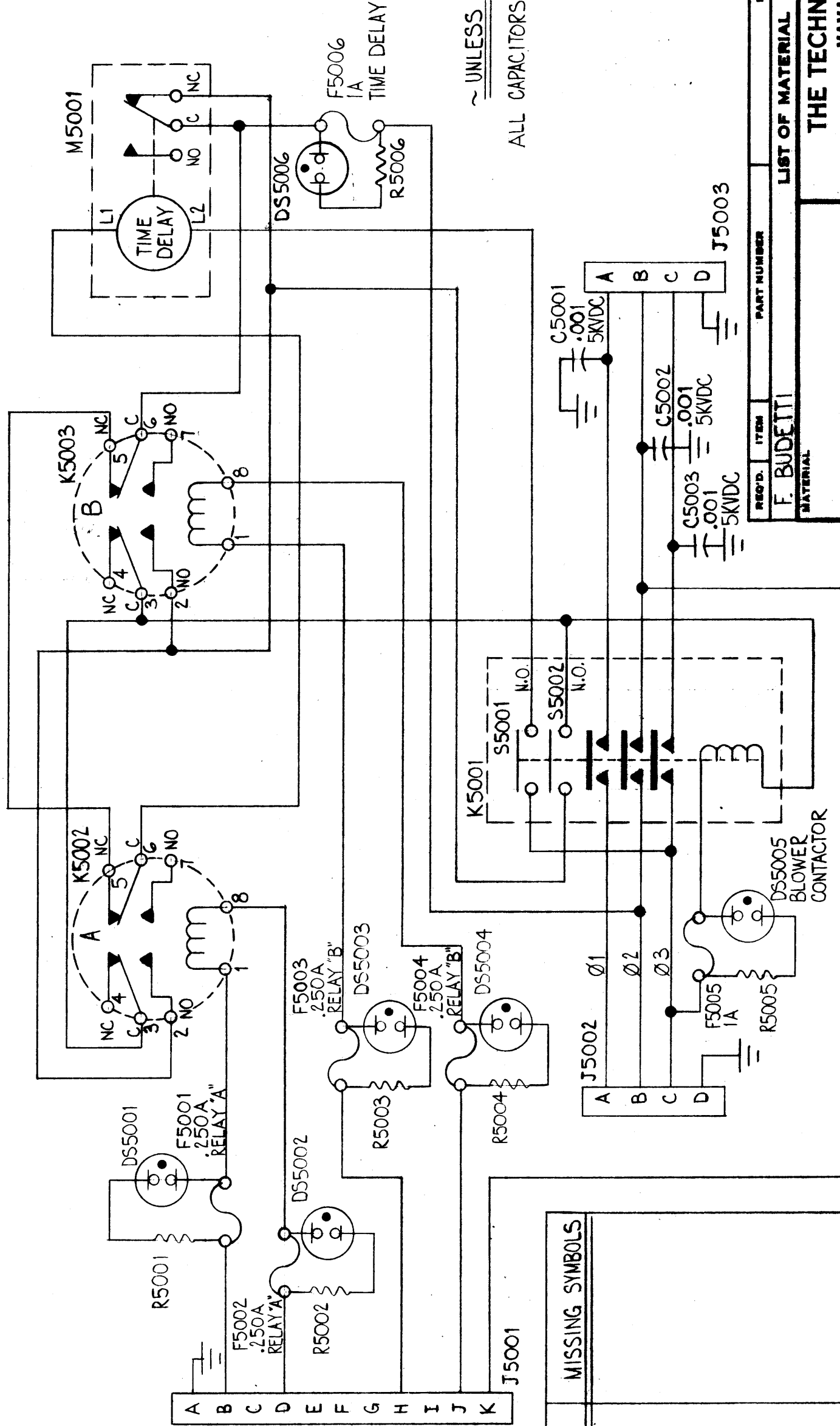
NOTES

THE CONTENTS OF THIS DRAWING ARE THE EXCLUSIVE PROPERTY OF THE TECHNICAL MATERIEL CORP. ITS UNAUTHORIZED USE OR REPRODUCTION IN WHOLE OR IN PART IS STRICTLY FORBIDDEN.

CK-637

REVISIONS

SYM	DESCRIPTION	DATE	E.M.N. NO.	DRAFT	CHKD	APPD
Q	ORIGINAL RELEASE FOR PRODUCTION	3-2-64		A.M.		



~ UNLESS OTHERWISE SPECIFIED ~
ALL CAPACITORS ARE IN MICROFARADS.

LAST SYMBOLS	MISSING SYMBOLS
C5003	
DS5006	
F5006	
J5003	
K5003	
S5002	
M5001	
R5006	

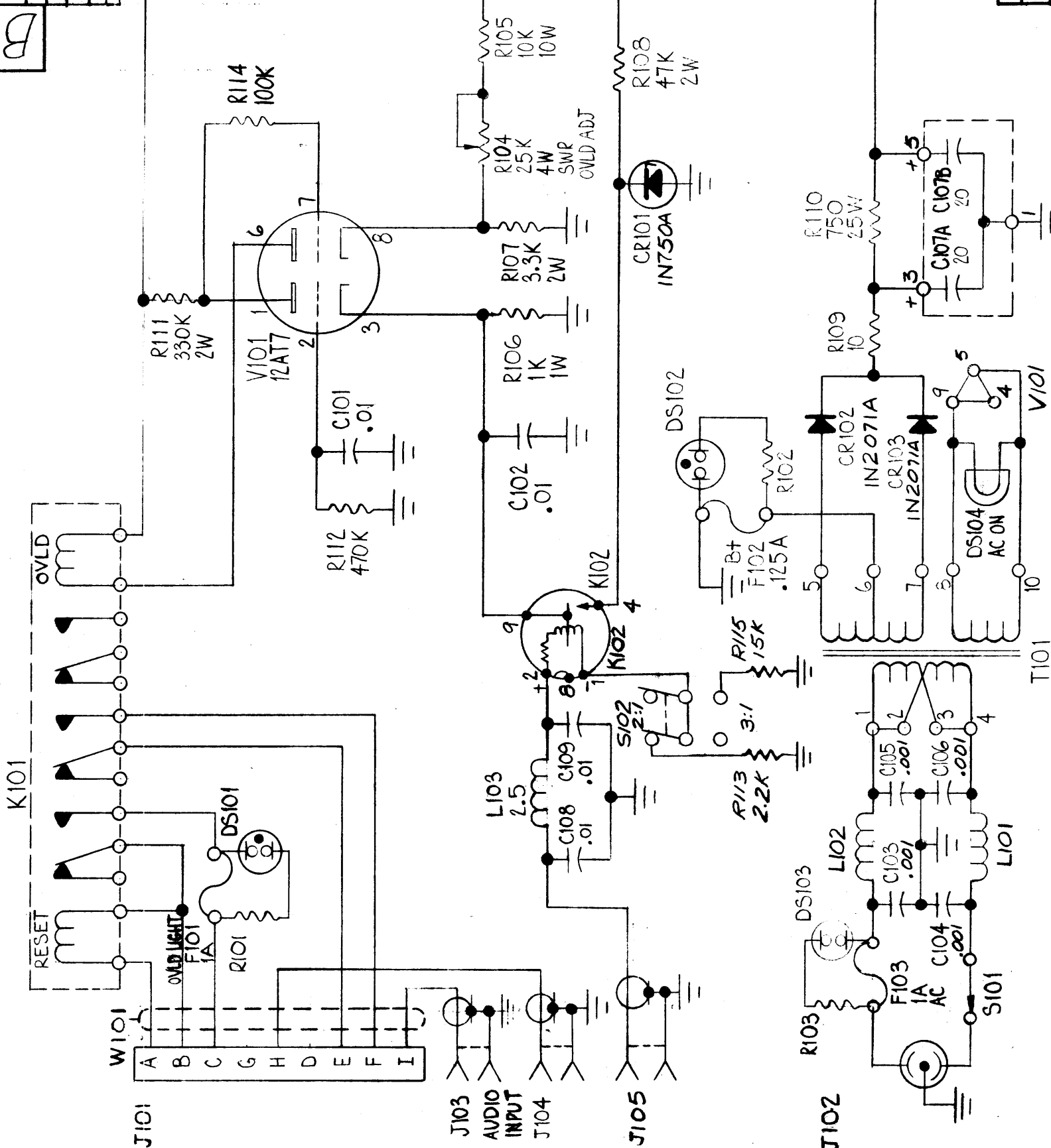
REGD.	ITEM	PART NUMBER	DESCRIPTION	SYMBOL
F. BUDETTI				
LIST OF MATERIAL				
THE TECHNICAL MATERIEL CORP. MAMARONECK, NEW YORK				
TITLE SCHEMATIC DIAGRAM, BLOWER DELAY				
DRAWN W.A. FRANCO	DATE 3-18-63	FINAL APPROVAL <i>[Signature]</i>		DATE
CHECKED W.F.	DATE 2-13-64			
ELECT. E.S.H.	DATE 2/14/64	CK-637		
MECH. DES. S.D.	DATE 2-13-64	SHEET		REV. LTR.

QTY/UNIT	GPT-200K	MODEL USED ON	AX-393
SCALE		CODE	A

THE CONTENTS OF THIS DRAWING ARE THE EXCLUSIVE PROPERTY OF THE TECHNICAL MATERIEL CORP. ITS UNAUTHORIZED USE OR REPRODUCTION IN WHOLE OR IN PART IS STRICTLY FORBIDDEN.

NOTES

SYN	DESCRIPTION	DATE	E.M.N. NO.	DRAFT	CHKD	APPD
0	ORIGINAL RELEASE FOR PRODUCTION	4-23-64	0	A.M.		
A	COMPLETELY REVISED	11-30-65	15254	A.V.V.		
B	W101 & NOTE ADDED, P 3052 DELETED	12-16-67	18423	2470		FR J.W.



~ LAST SYMBOLS ~
 C109
 CR103
 DS104
 F103
 J105
 K102
 L103
 R115
 T101
 V101
 S102
 * W103

~ MISSING SYMBOLS ~

* ~ NOTE ~
 W102 & W103 ARE NOT SHOWN ON THIS SCHEMATIC BUT ARE SUPPLIED AS LOOSE ITEMS WHEN THIS UNIT IS SHIPPED BY ITSELF. W102 IS PART OF RACK AND W103 IS SHIPPED AS A LOOSE ITEM.
 SEE MATERIAL LIST FOR CORRECT PART/No.

REP'D.	ITEM	PART NUMBER	DESCRIPTION	SYMBOL
F. BUDETTI			LIST OF MATERIAL	
			THE TECHNICAL MATERIEL CORP. MAMARONECK, NEW YORK	
			SCHEMATIC, DIAGRAM	
DRAWN	W.A. FRANCO	DATE	10-14-63	DATE
CHECKED		DATE		DATE
ELECTRICAL		DATE		DATE
MESG. SET.		DATE		DATE
			CK-642	B
				SHEET

UNLESS OTHERWISE SPECIFIED DIMENSIONS ARE IN INCHES AND INCLUDE CHEMICALLY APPLIED OR PLATED FINISHES	FRACTIONS ± 1/64 ANGLES ± 0° 30'
DECIMALS ± .005 ± .01 ± .008	TOLERANCES
GPT-40K(14)	SWCH-1
GPT-10K(17)	SWCH-1
MODEL USED ON	ASBY. NO.
SCALE	CODE
	A

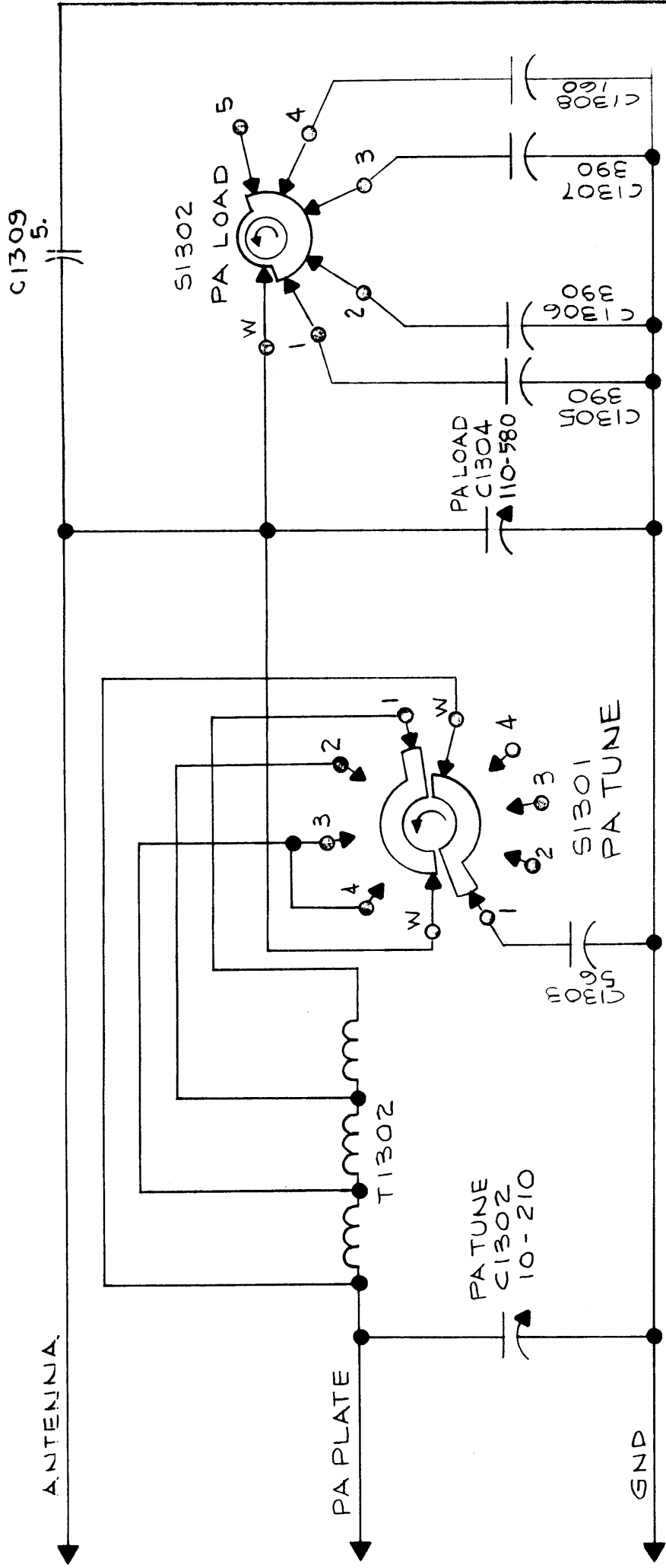
THE CONTENTS OF THIS DRAWING ARE THE EXCLUSIVE PROPERTY OF THE TECHNICAL MATERIEL CORP. ITS UNAUTHORIZED USE OR REPRODUCTION IN WHOLE OR IN PART IS STRICTLY FORBIDDEN.

NOTES

THE CONTENTS OF THIS DRAWING ARE THE EXCLUSIVE PROPERTY OF THE TECHNICAL MATERIEL CORP. ITS UNAUTHORIZED USE OR REPRODUCTION IN WHOLE OR IN PART IS STRICTLY FORBIDDEN.

CR-655

PA TUNE	
SWITCH POS.	FREQUENCY
1	8-10 MC
2	10-12.6 MC
3 & 4	12.6-16 MC

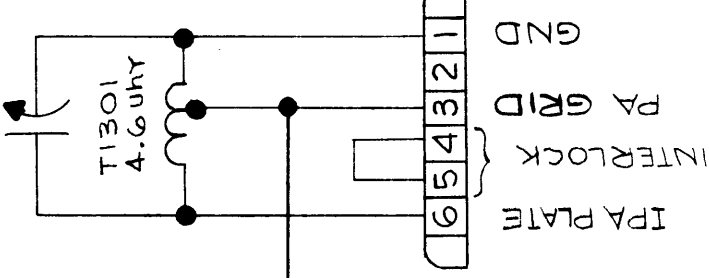


NOTE:
ALL CAPACITORS IN PF

LAST SYMBOLS

- C1309
- T1302
- J1301
- S1302

IPA TUNE
C1301
9-180



J1301
CHASSIS INTERCONNECT

SYM	DESCRIPTION	DATE	CH. NO.	DRAFTS	CHECKER	ENG. APP.
B	C1303 VALUE WAS ".560"	1-5-65	13184	J.F.	J.F.	J.F.
A	C1309 ADD. BETWEEN PA GRID & ANTENNA LAST SYMB. C1309 WAS C1308	9-15-64	12357	J.B.	J.B.	J.B.

SCALE: NONE

UNLESS OTHERWISE SPECIFIED:
DIMENSIONS ARE IN INCHES
TOLERANCES ON
FRACTIONS ± 1/64 DECIMALS ± .005 ANGLES ± 1/2°

MAXIMUM ALLOWABLE TOLERANCES HAVE BEEN DETERMINED AND ANY DEVIATIONS WILL BE CAUSE FOR REJECTION.
REMOVE ALL BURRS AND SHARP EDGES

REQ. ITEM	PART NO.	DESCRIPTION	SYMBOL
		KOHN	E3037-69
		THE TECHNICAL MATERIEL CORP. MAMARONECK, NEW YORK	
		DIAGRAM, SCHEMATIC	
		AX-411/TTRA-3	
		DRAWN	APPROVAL
		CHECKED	
		FINISH & SPEC. NO.	CK-655
		MECH. DES. APP.	B
		ELEC. DES. APP.	

