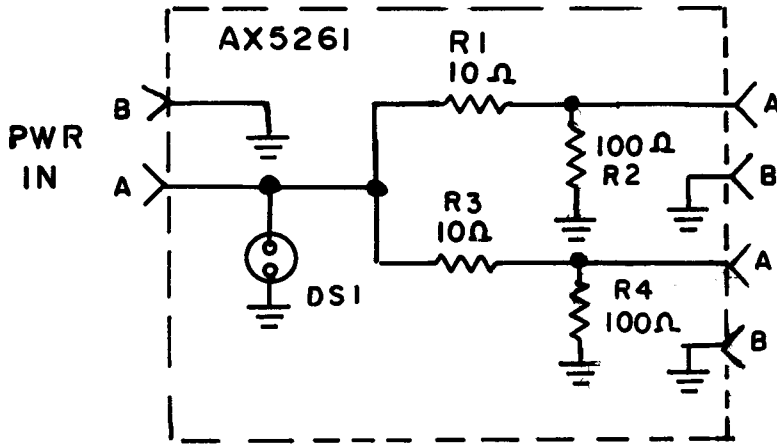




APPLICATION			REVISIONS						
QTY	MODEL USED ON	ASS'Y NO.	LTR	DESCRIPTION	DATE	E.M.N.NO	DRAFT	CHKD	APPD

LF/MF 2X8



<small>UNLESS OTHERWISE SPECIFIED DIMENSIONS ARE IN INCHES AND INCLUDE CHEMICALLY APPLIED OR PLATED FINISHES</small> <small>DECIMALS: .X ± .05, .XX ± .01, .XXX ± .005</small> <small>FRACTIONS: 1/64, ANGLES: 0°-30°</small> <small>TOLS.</small>	REQ'D	ITEM	PART NUMBER	DESCRIPTION	SYM.		
	LIST OF MATERIAL						
	MATERIAL	MECH. DES.	DATE	<b>THE TECHNICAL MATERIEL CORP.</b> MAMARONECK, NEW YORK  <b>SCHEMATIC DIAGRAM</b> <b>TRANSIENT PROTECTION &amp;</b> <b>SPLITTER</b>			
	FINISH	ELECT. DES.	DATE				
		CHECKED	DATE				
	DRAWN <b>G.D.L</b>	DATE <b>10-11-68</b>					
<small>NOTICE TO PERSONS RECEIVING THIS DRAWING</small> <small>THE TECHNICAL MATERIEL CORPORATION claims proprietary right in the material disclosed hereon. This drawing is issued in confidence for engineering information only and may not be reproduced or used to manufacture anything shown hereon without permission from THE TECHNICAL MATERIEL CORPORATION to the user. This drawing is loaned for mutual assistance and is subject to recall at any time.</small>				SIZE <b>A</b>	CODE IDENT. NO. <b>82679</b>	DWG NO. <b>CK 2297</b>	ISSUE
				SCALE		SHEET	OF