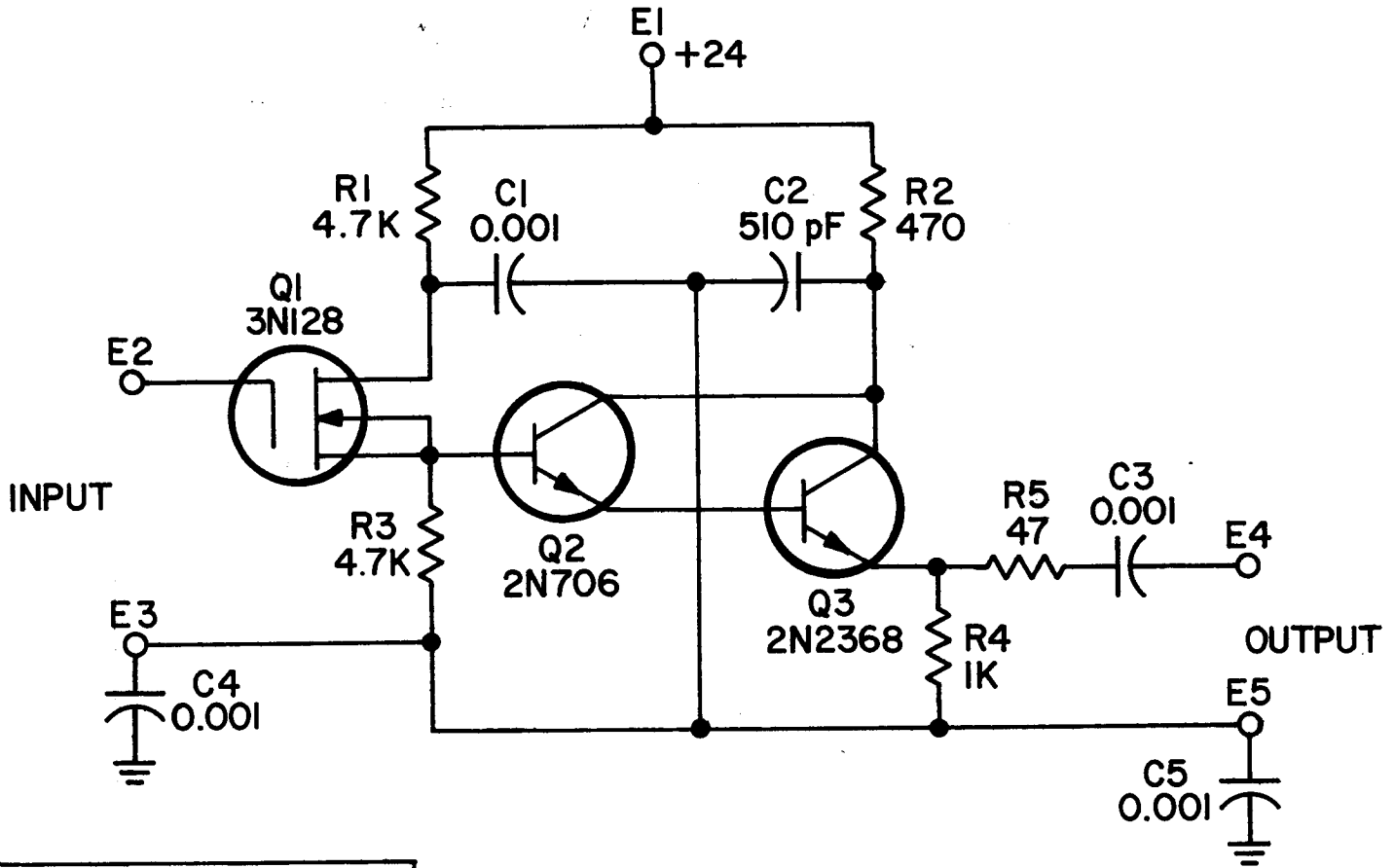



APPLICATION			REVISIONS							
QTY	MODEL USED ON	ASS'Y NO.	LTR	DESCRIPTION	DATE	E.M.N.NO	DRAFT	CHKD	APPD	
1	HFRR-4	A4823	X	EXP. RELEASE	4/20/70					
			X1	Q3 2N2368 WAS Q32N236B	5/1/70					
			X2	A4823 WAS A4853 & PICT. REV.	5/26/70				9013	
				ORIGINAL RELEASE	4/18/70					

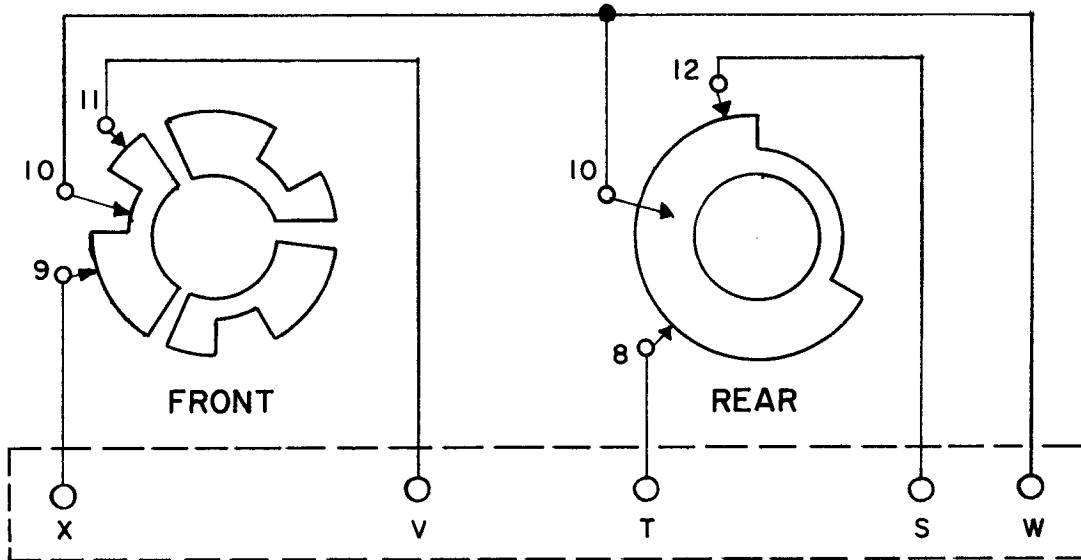


SYMBOLS	
LAST	MISSING
C5	
Q3	
R5	

NOTES: UNLESS SPECIFIED OTHERWISE
ALL RESISTOR VALUES IN OHMS
ALL CAPACITOR VALUES IN MICROFARADS

<small>UNLESS OTHERWISE SPECIFIED DIMENSIONS ARE IN INCHES AND INCLUDE CHEMICALLY APPLIED OR PLATED FINISHES</small> <small>DECIMALS: .X ± .05, .XX ± .01, .XXX ± .005</small> <small>FRACTIONS: 1/64, ANGLES: 0°-30'</small>	REQ'D	ITEM	PART NUMBER	 MAMARONECK, NEW YORK	SYM.		
	LIST						
	FINAL APPROVAL	DATE					
	MECH. DES.	DATE					
	ELECT. DES.	DATE					
MATERIAL	CHECKED	DATE		DIAGRAM SCHEMATIC BUFFER AMPLIFIER			
FINISH	DRAWN	DATE					
<small>NOTICE TO PERSONS RECEIVING THIS DRAWING</small> <small>THE TECHNICAL MATERIEL CORPORATION claims proprietary right in the material disclosed hereon. This drawing is issued in confidence for engineering information only and may not be reproduced or used to manufacture anything shown hereon without permission from THE TECHNICAL MATERIEL CORPORATION to the user. This drawing is loaned for mutual assistance and is subject to recall at any time.</small>				SIZE	CODE IDENT. NO.	DWG NO.	ISSUE
A		82679	CK1747				
SCALE			SHEET		OF		

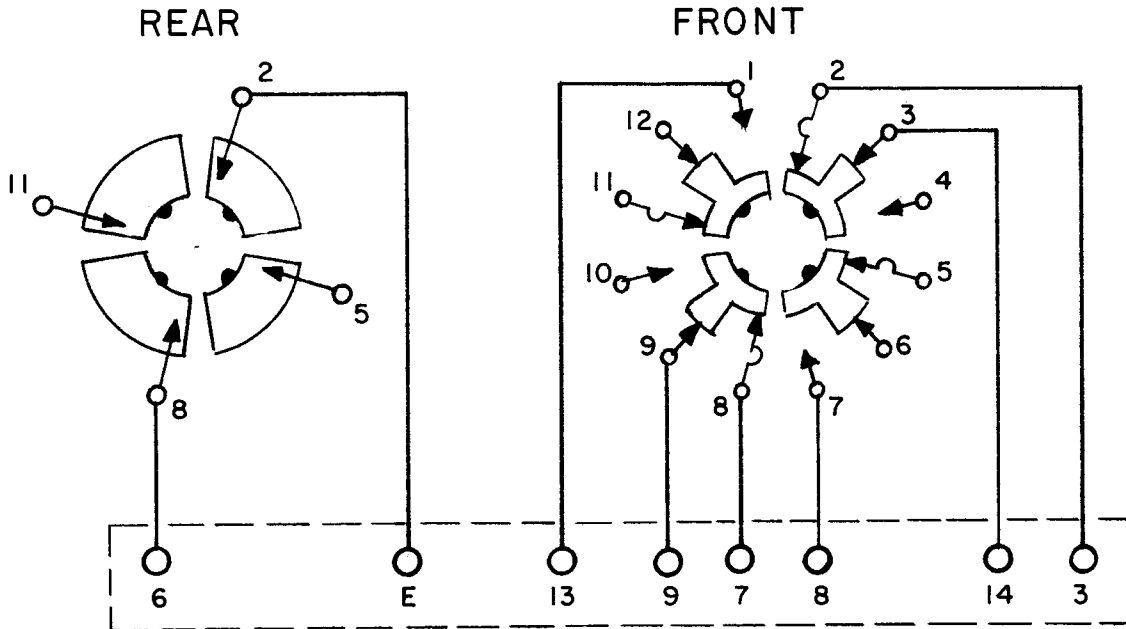
APPLICATION			REVISIONS						
QTY	MODEL USED ON	ASS'Y NO.	LTR	DESCRIPTION	DATE	E.M.N.NO	DRAFT	CHKD	APPD
	HFS-4		X	EXPERIMENTAL RELEASE	3-25-70		KD		
			Ø	ORIG RELEASE FOR PROD	4-3-70		CV		



SW463/PC373

UNLESS OTHERWISE SPECIFIED DIMENSIONS ARE IN INCHES AND INCLUDE CHEMICALLY APPLIED OR PLATED FINISHES		REQ'D	ITEM	PART NUMBER	DESCRIPTION	SYM.
DECIMALS .X ± .05 .XX ± .01 .XXX ± .005 TOLS. 1/64 ANGLES 0°-30'		POSE		LIST OF MATERIAL		
MATERIAL		FINAL APPROVAL <i>[Signature]</i>		DATE 4-3-70	THE TECHNICAL MATERIEL CORP. MAMARONECK, NEW YORK	
FINISH		MECH. DES. <i>[Signature]</i>		DATE	DIAGRAM SCHEMATIC	
		ELECT. DES. <i>[Signature]</i>		DATE	FREQUENCY SWITCH	
		CHECKED <i>[Signature]</i>		DATE 3/26/70		
		DRAWN Deinlein		DATE 3-25-70		
NOTICE TO PERSONS RECEIVING THIS DRAWING THE TECHNICAL MATERIEL CORPORATION claims proprietary right in the material disclosed hereon. This drawing is issued in confidence for engineering information only and may not be reproduced or used to manufacture anything shown hereon without permission from THE TECHNICAL MATERIEL CORPORATION to the user. This drawing is loaned for mutual assistance and is subject to recall at any time.				SIZE A	CODE IDENT. NO. 82679	DWG NO. CK 1765
				SCALE	SHEET OF	
					ISSUE Ø	

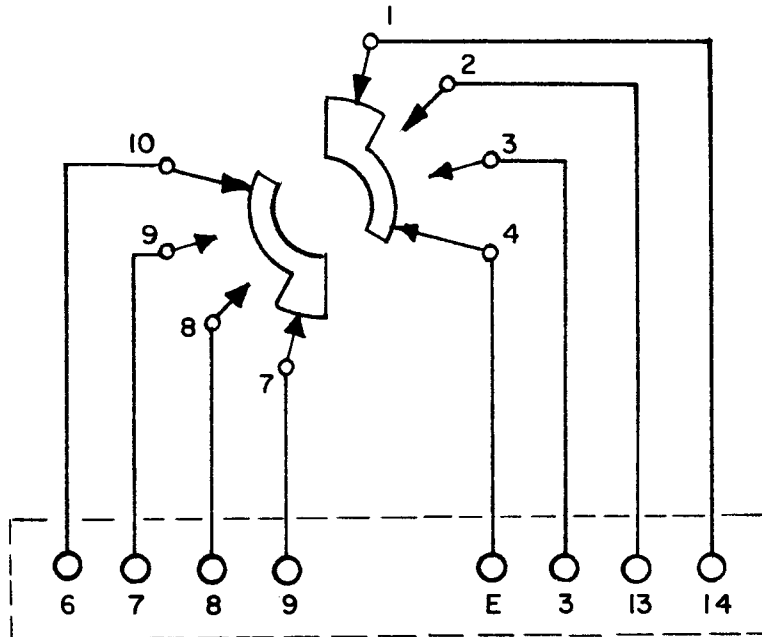
APPLICATION			REVISIONS							
QTY	MODEL USED ON	ASS'Y NO.	LTR	DESCRIPTION	DATE	E.M.N.NO	DRAFT	CHKD	APPD	
	MSA-4	AX5107	X	EXPERIMENTAL RELEASE	3-18-70		KD			
			Ø	ORIG RELEASE FOR PROD	4/3/70		CV			



SW528/PC370

UNLESS OTHERWISE SPECIFIED DIMENSIONS ARE IN INCHES AND INCLUDE CHEMICALLY APPLIED OR PLATED FINISHES		REQ'D	ITEM	PART NUMBER	DESCRIPTION	SYM.
DECIMALS .X ± .05 .XX ± .01 .XXX ± .005 FRACTIONS 1/64 ANGLES 0° - 30'		POSE LIST OF MATERIAL THE TECHNICAL MATERIEL CORP. MAMARONECK, NEW YORK DIAGRAM SCHEMATIC TIME CONSTANT				
MATERIAL	FINAL APPROVAL	MECH. DES.	DATE	THE TECHNICAL MATERIEL CORP. MAMARONECK, NEW YORK		
FINISH	ELECT. DES.	CHECKED	DATE	DIAGRAM SCHEMATIC TIME CONSTANT		
	DRAWN	DATE	DATE	SIZE A CODE IDENT. NO. 82679 DWG NO. CK 1766 ISSUE Ø		
NOTICE TO PERSONS RECEIVING THIS DRAWING THE TECHNICAL MATERIEL CORPORATION claims proprietary right in the material disclosed hereon. This drawing is issued in confidence for engineering information only and may not be reproduced or used to manufacture anything shown hereon without permission from THE TECHNICAL MATERIEL CORPORATION to the user. This drawing is loaned for mutual assistance and is subject to recall at any time.				SCALE		SHEET 1 OF 2

APPLICATION			REVISIONS						
QTY	MODEL USED ON	ASS'Y NO.	LTR	DESCRIPTION	DATE	E.M.N.NO	DRAFT	CHKD	APPD
	MSA-4	AX5107-2	X	EXPERIMENTAL RELEASE	3-18-70		KD		
			Ø	ORIG RELEASE FOR PROD	4/4/70		CV		



SW453/PC370

UNLESS OTHERWISE SPECIFIED DIMENSIONS ARE IN INCHES AND INCLUDE CHEMICALLY APPLIED OR PLATED FINISHES	REQ'D ITEM	PART NUMBER	DESCRIPTION	SYM.
DECIMALS: .X ± .05, .XX ± .01, .XXX ± .005 FRACTIONS: 1/64, ANGLES: 0° - 30'	POSE LIST OF MATERIAL			
MATERIAL	FINAL APPROVAL <i>[Signature]</i> MECH. DES.	DATE 4-3-70	THE TECHNICAL MATERIEL CORP. MAMARONECK, NEW YORK	
FINISH	ELECT. DES. <i>[Signature]</i> CHECKED <i>[Signature]</i> DRAWN Deierlein	DATE 3/26/70 DATE 3-18-70	DIAGRAM SCHEMATIC TIME CONSTANT	

NOTICE TO PERSONS RECEIVING THIS DRAWING THE TECHNICAL MATERIEL CORPORATION claims proprietary right in the material disclosed hereon. This drawing is issued in confidence for engineering information only and may not be reproduced or used to manufacture anything shown hereon without permission from THE TECHNICAL MATERIEL CORPORATION to the user. This drawing is loaned for mutual assistance and is subject to recall at any time.	SIZE A	CODE IDENT. NO. 82679	DWG NO. CK 1766	ISSUE Ø
	SCALE		SHEET 2 OF 2	

THE CONTENTS OF THIS DRAWING ARE THE EXCLUSIVE PROPERTY OF THE TECHNICAL MATERIEL CORP. ITS UNAUTHORIZED USE FOR REPR DUCTI N IN WHOLE OR IN PART IS STRICTLY FORBIDDEN.

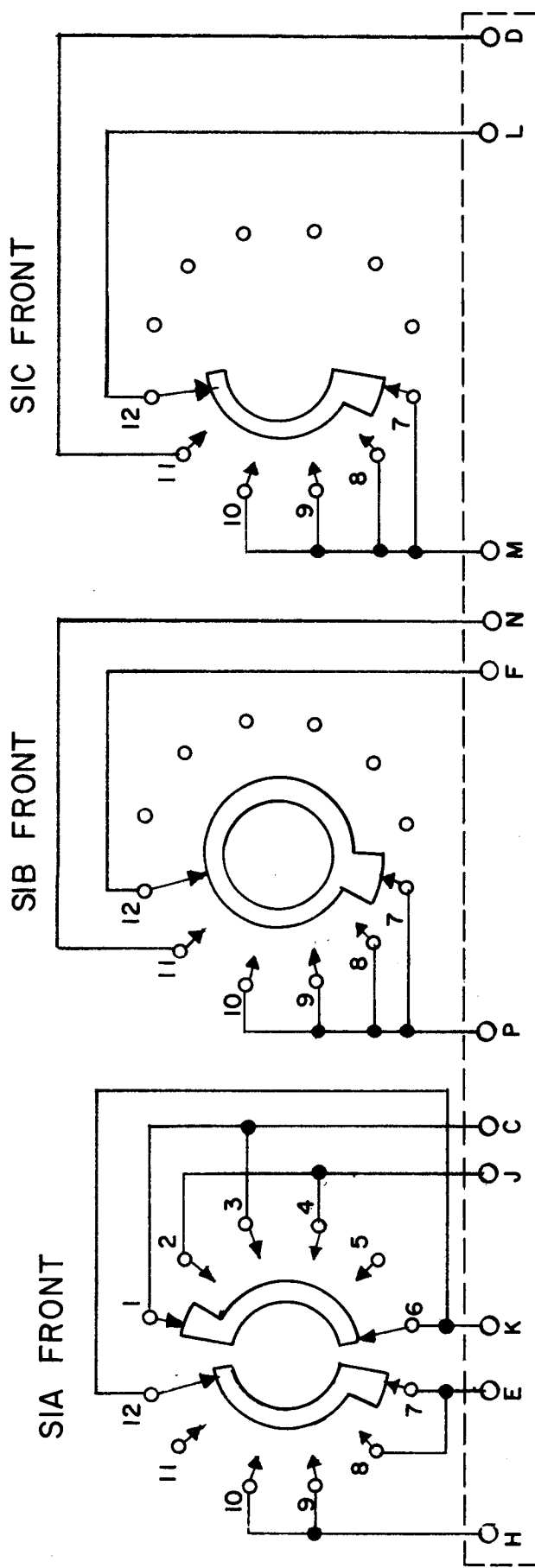
USED ON
ASS'Y. NO.

DATE
3-26-70

MODEL
MSA-4

CK1767

Ø



NOTE:
SWITCH SHOWN IN 2.5KC AM POSITION

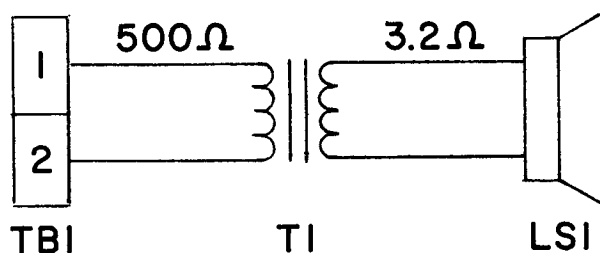
SW / PC

REQ. ITEM	PART NO.	DESCRIPTION	SYMBOL
		THE TECHNICAL MATERIEL CORP. MAMARONECK. NEW YORK	
		DIAGRAM SCHEMATIC	
		MODE SWITCH	
		DRAWN <i>Deckerlein</i>	3/4/70
		CHECKED	FINAL APPROVAL
		ELEC. DES. APP. <i>[Signature]</i>	
		MECH. DES. APP.	
		FINISH & SPEC. NO.	CK1767
			Ø

SYM	DESCRIPTION	DATE	CH. NO.	DRAFTS	CHECKER	ENG. APP.
Ø	ORIG REL FOR PROD	4/3/70				
X	EXP RELEASE	3-26-70				

UNLESS OTHERWISE SPECIFIED	SCALE
DIMENSI NS ARE IN INCHES AND INCLUDE CHEMICALLY APPLIED OR PLATED FINISHES	
DECIMALS	
.X ± .05	
.XX ± .01	
.XXX ± .005	
FRACTIONS	
± 1/64	
ANGLES	
± 0° 30'	
TOLERANCES	
CODE	

APPLICATION			REVISIONS						
QTY	MODEL USED ON	ASS'Y NO.	LTR	DESCRIPTION	DATE	E.M.N.NO	DRAFT	CHKD	APPD
	LSP-4B		X	EXP. RELEASE	7/8/70		CS		
			⊕	ORIGINAL RELEASE	5/9/73		CS		



UNLESS OTHERWISE SPECIFIED DIMENSIONS ARE IN INCHES AND INCLUDE CHEMICALLY APPLIED OR PLATED FINISHES		REQ'D	ITEM	PART NUMBER	DESCRIPTION	SYM.	
DECIMALS: .X ± .05, .XX ± .01, .XXX ± .005 FRACTIONS: 1/64, ANGLES: 0°-30'		LIST OF MATERIAL					
MATERIAL		FINAL APPROVAL <i>DB</i>		DATE 5-9/73	THE TECHNICAL MATERIEL CORP. MAMARONECK, NEW YORK DIAGRAM SCHEMATIC LSP-4B		
FINISH		MECH. DES.		DATE			
		ELECT. DES.		DATE			
		CHECKED		DATE			
		DRAWN <i>J. J. J.</i>		DATE 7/8/70			
NOTICE TO PERSONS RECEIVING THIS DRAWING THE TECHNICAL MATERIEL CORPORATION claims proprietary right in the material disclosed hereon. This drawing is issued in confidence for engineering information only and may not be reproduced or used to manufacture anything shown hereon without permission from THE TECHNICAL MATERIEL CORPORATION to the user. This drawing is loaned for mutual assistance and is subject to recall at any time.				SIZE A	CODE IDENT. NO. 82679	DWG NO. CK 1785	ISSUE ⊕
SCALE \neq			SHEET		OF		