

IF IT IS FOUND DESIRABLE TO CHANGE ANY TOLERANCE OR OTHER DETAIL SPECIFIED ON THIS DRAWING NOTIFY THE PURCHASER PROMPTLY.

MAXIMUM ALLOWABLE TOLERANCES HAVE BEEN DETERMINED AND DEVIATIONS WILL BE CAUSE FOR REJECTION. REMOVE ALL BURRS AND SHARP EDGES

CK - 10223

USED ON

MODEL

PROJECT NO.

ASSY. NO.

DATE

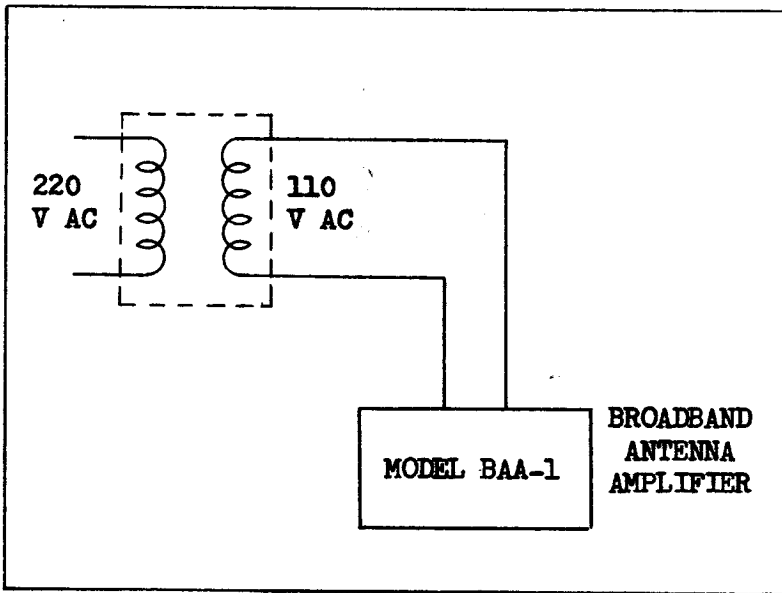


Figure 3-2

INSTALLATION OF STEP-DOWN TRANSFORMER

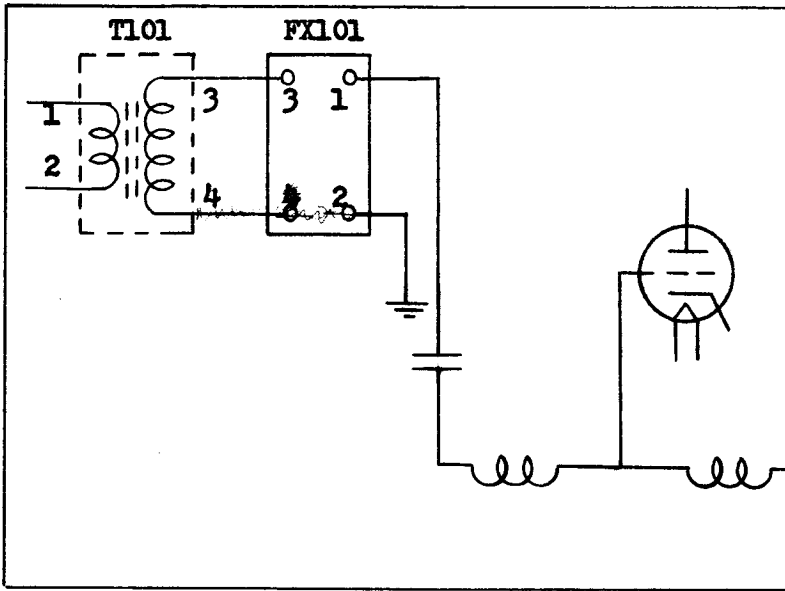


Figure 3-1

INSTALLATION OF FILTER, FX101

REQ. ITEM	PART NO.	DESCRIPTION	SYMBOL
		<b>TMC (Canada) LIMITED</b> OTTAWA ONTARIO	
		Figure 3-1 INSTALLATION OF FILTER, FX101	
		Figure 3-2 INSTALLATION OF STEP-DOWN TRANSFORMER	
		DRAWN	ELEC. DES. APP. MECH. DES. APP.
		CHECKED	
		HEAT TREAT. SPEC.	FINAL APPROVAL
		FINISH & SPEC. NO.	used in IN-10007 CK - 10223

ISSUE ITEM	CHANGED FROM	DATE	CN. NO.	DRAFTS CHECKER	ENG. APP.
TOLERANCES					
SCALE					
ALL OTHERS	DEC. DIM. ±				
	FRAC. DIM. ±				
	ANGULAR DIM. ±				
DRILL, PUNCH, COMMERCIAL STOCK SIZES AND MANUFACTURERS TOLERANCES ARE NOT INCLUDED.					

CK - 10224

USED ON

DATE

ASSY. NO.

PROJECT NO.

MODEL

IF IT IS FOUND DESIRABLE TO CHANGE ANY TOLERANCE OR OTHER DETAIL SPECIFIED ON THIS DRAWING NOTIFY THE PURCHASER PROMPTLY.

MAXIMUM ALLOWABLE TOLERANCES HAVE BEEN DETERMINED AND DEVIATIONS WILL BE CAUSE FOR REJECTION. REMOVE ALL BURRS AND SHARP EDGES

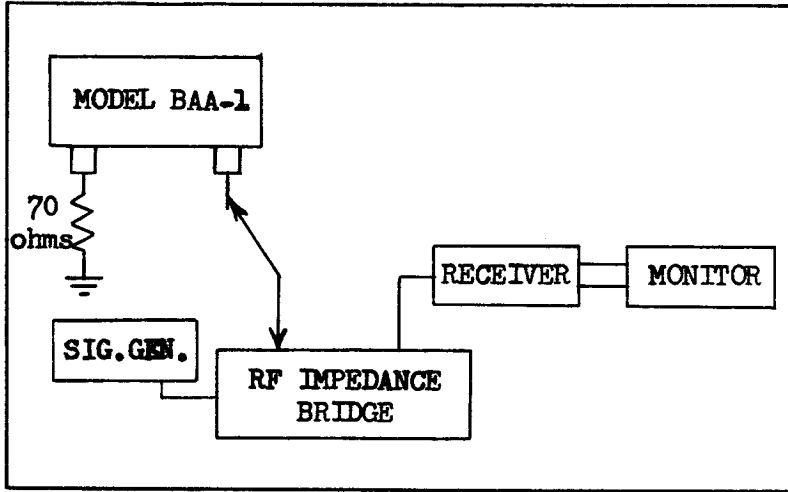


Figure 4-1

TEST SET UP FOR IMPEDANCE MEASUREMENTS

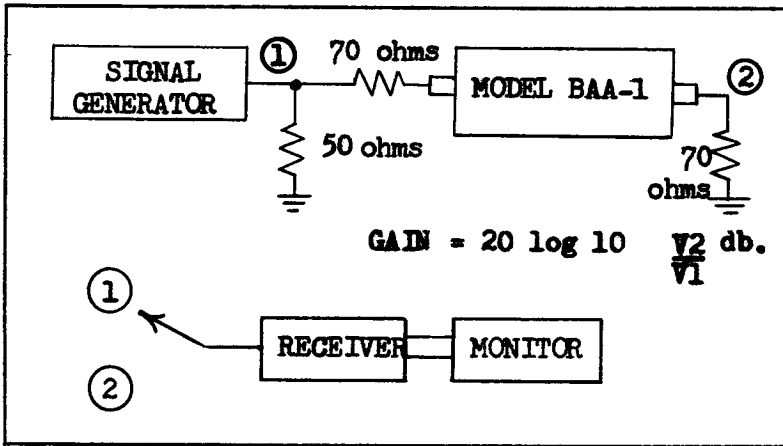


Figure 4-2

TEST SET UP FOR GAIN MEASUREMENTS

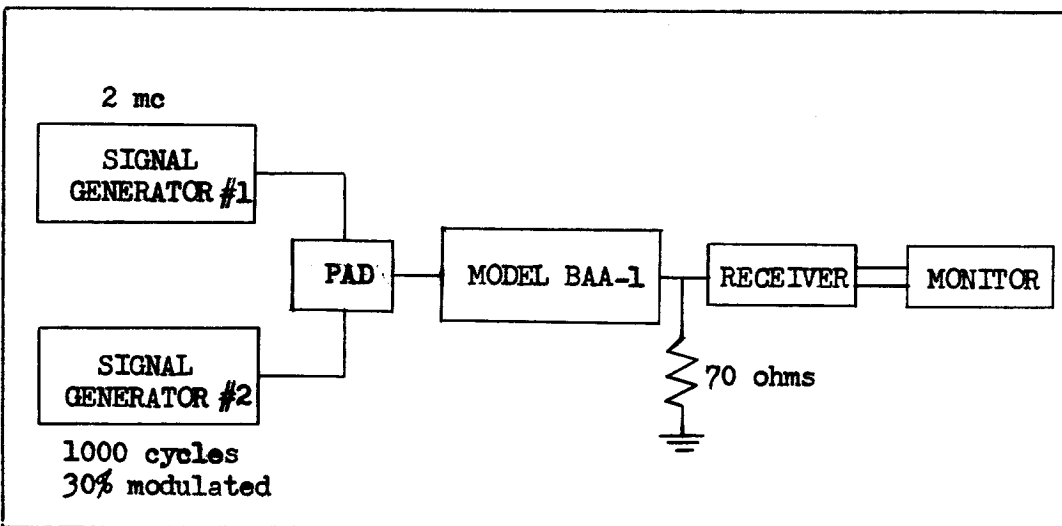


Figure 4-3

TEST SET UP FOR INTERMODULATION MEASUREMENTS

REQ. ITEM	PART NO.	DESCRIPTION	SYMBOL
		<b>TMC (Canada) LIMITED</b> OTTAWA ONTARIO	
		TEST SET UPS FOR Figure 4-1 IMPEDANCE MEASUREMENTS Figure 4-2 GAIN MEASUREMENTS Figure 4-3 INTERMODULATION CHARACTERISTICS	
		DA 10/12/57	
		DRAWN	ELEC. DES. APP.
		CHECKED	MECH. DES. APP.
		used in IN-10007	FINAL APPROVAL
			CK - 10224

ISSUE ITEM	CHANGED FROM	DATE	CN. NO.	DRAFTS CHECKER	ENG. APP.

TOLERANCES		SCALE
DEC. DIM. ±		
FRAC. DIM. ±		
ANGULAR DIM. ±		

DRILL, PUNCH, COMMERCIAL STOCK SIZES AND MANUFACTURERS TOLERANCES ARE NOT INCLUDED.	
ALL OTHERS	

IF IT IS FOUND DESIRABLE TO CHANGE ANY TOLERANCE OR OTHER DETAIL SPECIFIED ON THIS DRAWING NOTIFY THE PURCHASER PROMPTLY.

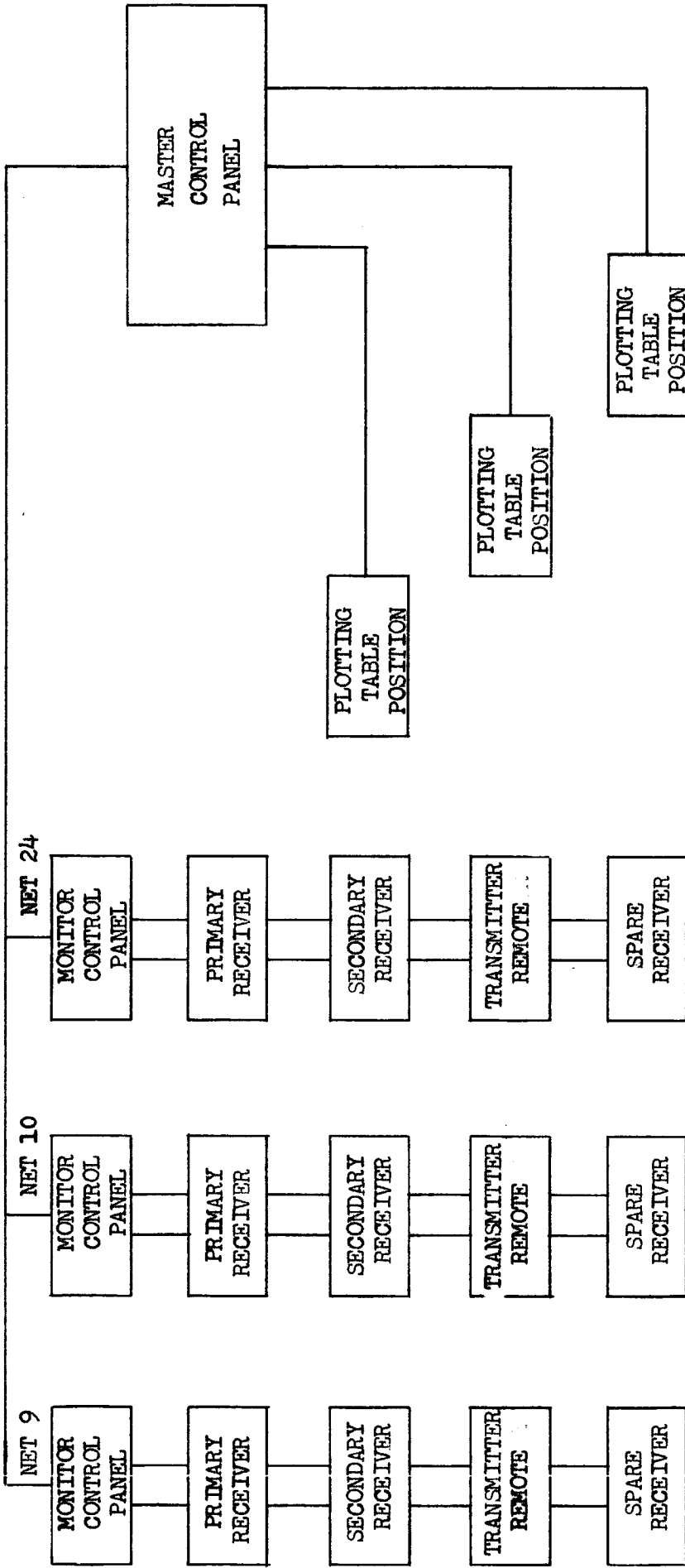
MAXIMUM ALLOWABLE TOLERANCES HAVE BEEN DETERMINED AND DEVIATIONS WILL BE CAUSE FOR REJECTION. REMOVE ALL BURRS AND SHARP EDGES

CK - 10230

USED ON

MODEL PROJECT NO. ASS'Y. NO. DATE

E-8548-V



REQ. ITEM	PART NO.	DESCRIPTION	SYMBOL
		<b>TMC (Canada) LIMITED</b> OTTAWA ONTARIO	
		ADC RECEIVER CONTROL SYSTEM	
		STOCK SIZE	
		MATERIAL	
		WEIGHT PER PC.	
		TYPE & TEMPER.	
		HEAT TREAT. SPEC.	
		FINISH & SPEC. NO.	
		DRAWN	ELEC. DES. APP.
		CHECKED	MECH. DES. APP.
		DF 22-1-58	
			FINAL APPROVAL
			CK - 10230

ISSUE ITEM	CHANGED FROM	DATE	CN. NO.	DRAFTS	CHECKER	ENG. APP.
TOLERANCES						
SCALE						
DRILL, PUNCH, COMMERCIAL STOCK SIZES AND MANUFACTURERS TOLERANCES ARE NOT INCLUDED.						
ALL OTHERS	DEC. DIM. ±					
	FRAC. DIM. ±					
	ANGULAR DIM. ±					

IF IT IS FOUND DESIRABLE TO CHANGE ANY TOLERANCE OR OTHER DETAIL SPECIFIED ON THIS DRAWING NOTIFY THE PURCHASER PROMPTLY.

MAXIMUM ALLOWABLE TOLERANCES HAVE BEEN DETERMINED AND DEVIATIONS WILL BE CAUSE FOR REJECTION. REMOVE ALL BURRS AND SHARP EDGES

CK-10268

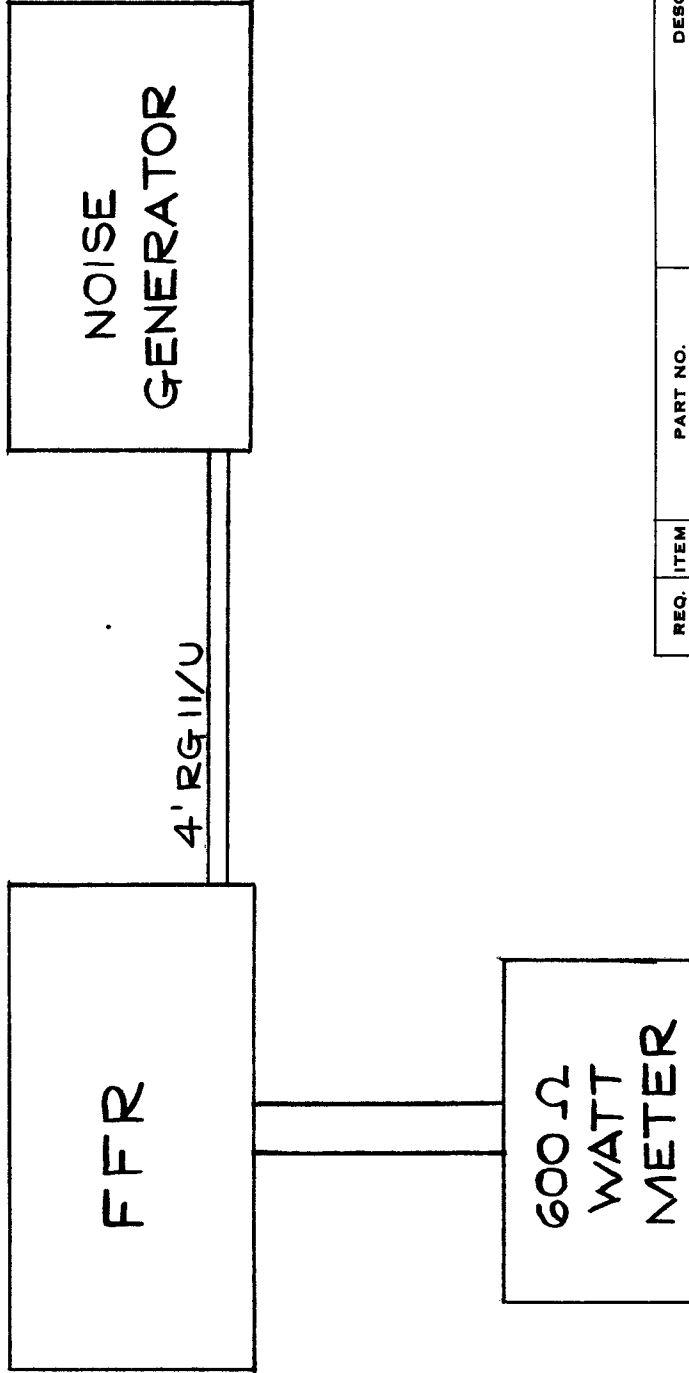
USED ON

MODEL

PROJECT NO.

ASSY. NO.

DATE



REQ. ITEM	PART NO.	DESCRIPTION	SYMBOL
		TMC (Canada) LIMITED OTTAWA	
	STOCK SIZE	NOISE MEASUREMENT	
	MATERIAL	FFR RECEIVER	
	WEIGHT PER PC.	DCM DEC 13 1958	
	TYPE & TEMPER	DRAWN	ELEC. DES. APP.
	HEAT TREAT. SPEC.	CHECKED	MECH. DES. APP.
	FINISH & SPEC. NO.		FINAL APPROVAL
			CK 10268

ISSUE ITEM	CHANGED FROM	DATE	CN. NO.	DRAFTS CHECKER	ENG. APP.
TOLERANCES					
DEC. DIM. ±					
FRAC. DIM. ±					
OTHERS					
DRILL, PUNCH, COMMERCIAL STOCK SIZES AND MANUFACTURERS TOLERANCES ARE NOT INCLUDED.					

