

CK70 B

USED ON ASSY. NO. DATE

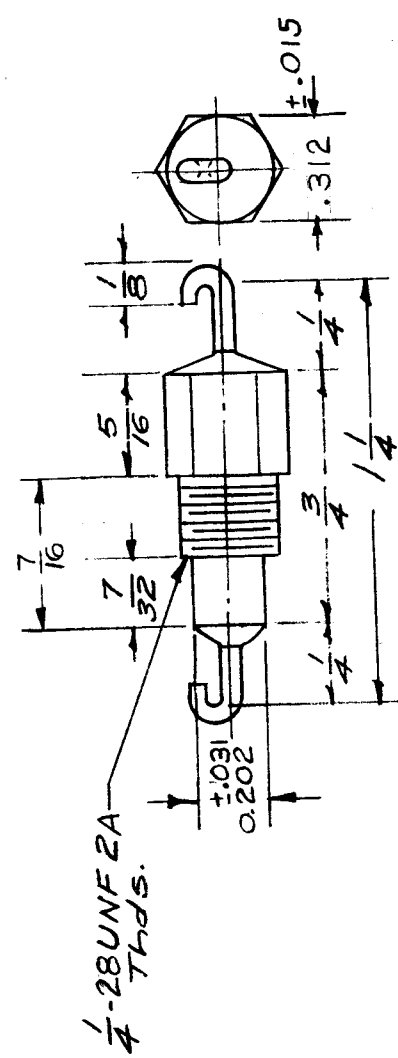
REQ. PER UNIT MODEL

CHARACTERISTICS

CHAR. CODE	CHAR.	
	MAX. AMBIENT TEMP.	+85°C
	MIN. AMBIENT TEMP.	-55°C
AW	Insulation Resistance Min. (Megohm)	7500
	At 25°C	1000
	At 85°C	2.0 MAX.
	Power Factor at 25°C, 1 KC per second (percent)	200
	Life Test Voltage in percent of rated voltage	+22, -56
	Cap. Change over temp. range (percent)	

CAP. TOLERANCE	
CODE	TOL. (%)
M	±20
X	+80 -20

NOTE - VOLTAGE DC Working Voltage will be 1000V. for any cap. value below 470mmf., & 500V. for 470mmf. or higher.



1/4-28UNF 2A Thds.

Leads- No. 16 tinned dead soft copper.

Mfg. Hardware (Nut & 1st. tooth Lock-washer) supplied by Mfg.

Type Designation shall be in the following form:

CK70 AW 471 M

STYLE & CHARACTERISTIC CAPACITANCE TOLERANCE  
 DWG. NO. (3rd digit = # of zeros)

EXAMPLE: CK70AW102M = 1000 mmfd. ±20%  
 CK70AW100M = 10 mmfd. ±20%

Acc/W/with MIL-C-11015/13 & Amend.

REQ. ITEM	PART NO.	DESCRIPTION	SYMBOL
		THE TECHNICAL MATERIEL CORP. MAMARONECK, NEW YORK	
		CAPACITOR, FIXED, CERAMIC, FEEDTHRU	
		MATERIAL	
		HEAT TREAT. SPEC.	
		FINISH & SPEC. NO.	
		TYPE & TEMPER	
		CHECKED	
		DRAWN	
		FINAL APPROVAL	
		CK70	B

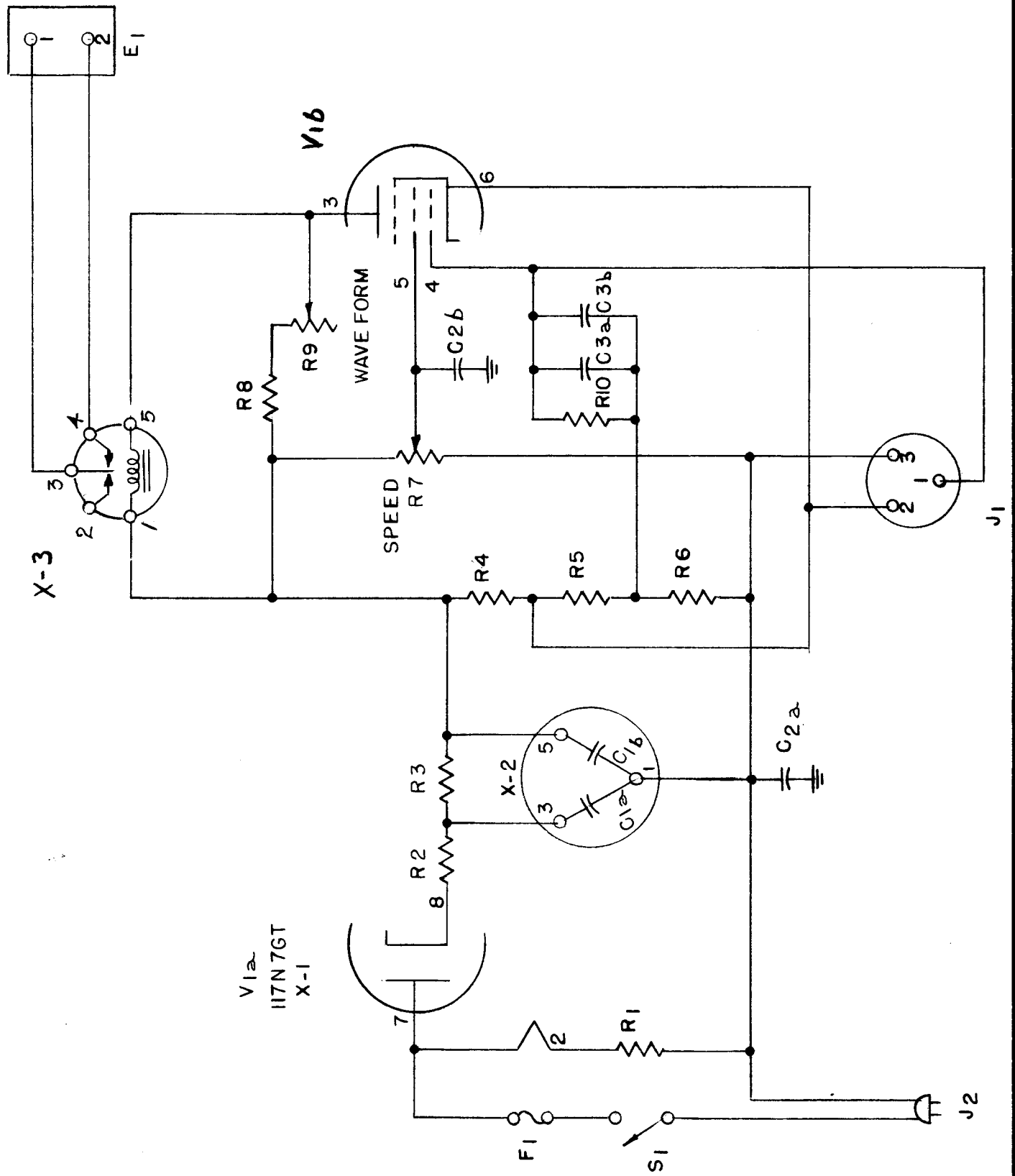
EXTENSIVE CHGS REFER TO E.M.N.#  
 CHAR. CODE WAS "A"  
 CAP CHANGE WAS +10, -35

DATE CH. NO. DRAFTS CHECKER ENG. APP.  
 4-8-64 11193 AM. JDC  
 10-5-62 1387 JDC

SCALE: ~~1/32~~

MAXIMUM ALLOWABLE TOLERANCES HAVE BEEN DETERMINED AND ANY DEVIATIONS WILL BE CAUSE FOR REJECTION.  
 REMOVE ALL BURRS AND SHARP EDGES

DEC. DIM. ± 1/32  
 FRAC. DIM. ±  
 ANGULAR DIM. ±



DATE 6-11-52  
 DRN. *JADe*  
 CHKD. *ARB*  
 APPD. *ARB*

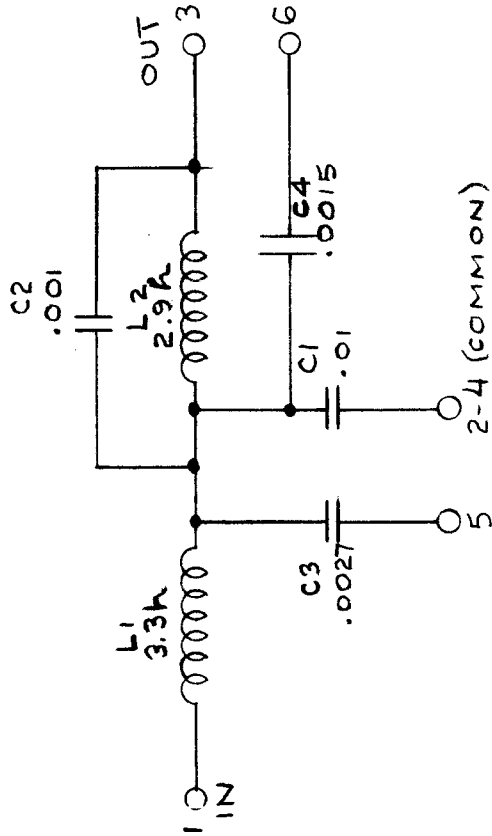
MORSE RELAY  
 KEYING UNIT  
 MODEL MRK-1

THE TECHNICAL MATERIEL  
 CORPORATION  
 MAMARONECK, NEW YORK

SHEET OF NO. CK-100

IF IT IS FOUND DESIRABLE TO CHANGE ANY TOLERANCE OR OTHER DETAIL SPECIFIED ON THIS DRAWING NOTIFY THE PURCHASER PROMPTLY.

MAXIMUM ALLOWABLE TOLERANCES HAVE BEEN DETERMINED AND DEVIATIONS WILL BE CAUSE FOR REJECTION. REMOVE ALL BURRS AND SHARP EDGES



ELECTRICAL SPECIFICATIONS:  
 1. 1800 CYCLE CARRIER  
 INPUT 1-2    OUTPUT 3-4  
 2. 1500 CYCLE CARRIER  
 A.- PLACE JUMPER BETWEEN 2-5  
 B.- PLACE JUMPER BETWEEN 3-6  
 INPUT 1-2    OUTPUT 3-4

CK-129

USED ON

MODEL	PROJECT NO.	ASSY. NO.	DATE
FX-100	160	A-279	12-17-52

REQ. ITEM	PART NO.	DESCRIPTION	SYMBOL
	ff	THE TECHNICAL MATERIEL CORP. MAMARONECK. NEW YORK	
	ff	SCHEMATIC DIAGRAM	
	ff	FX-100	
	ff	16 12-17-52	
	ff	C.D.D.	
	ff	CHECKED	
	ff	FINAL APPROVAL	
	ff	CK-129	
ISSUE ITEM	CHANGED FROM	DATE	CN. NO. DRAFTS CHECKER ENG. APP.
TOLERANCES			
ALL OTHERS	DEC. DIM. ± FRAC. DIM. ± ANGULAR DIM. ±	DRILL, PUNCH, COMMERCIAL STOCK SIZES AND MANUFACTURERS TOLERANCES ARE NOT INCLUDED.	



REQ. PER UNIT	MODEL	USED ON	ASSY. NO.	DATE
	FFR		104	1-8-53
		CK-136		

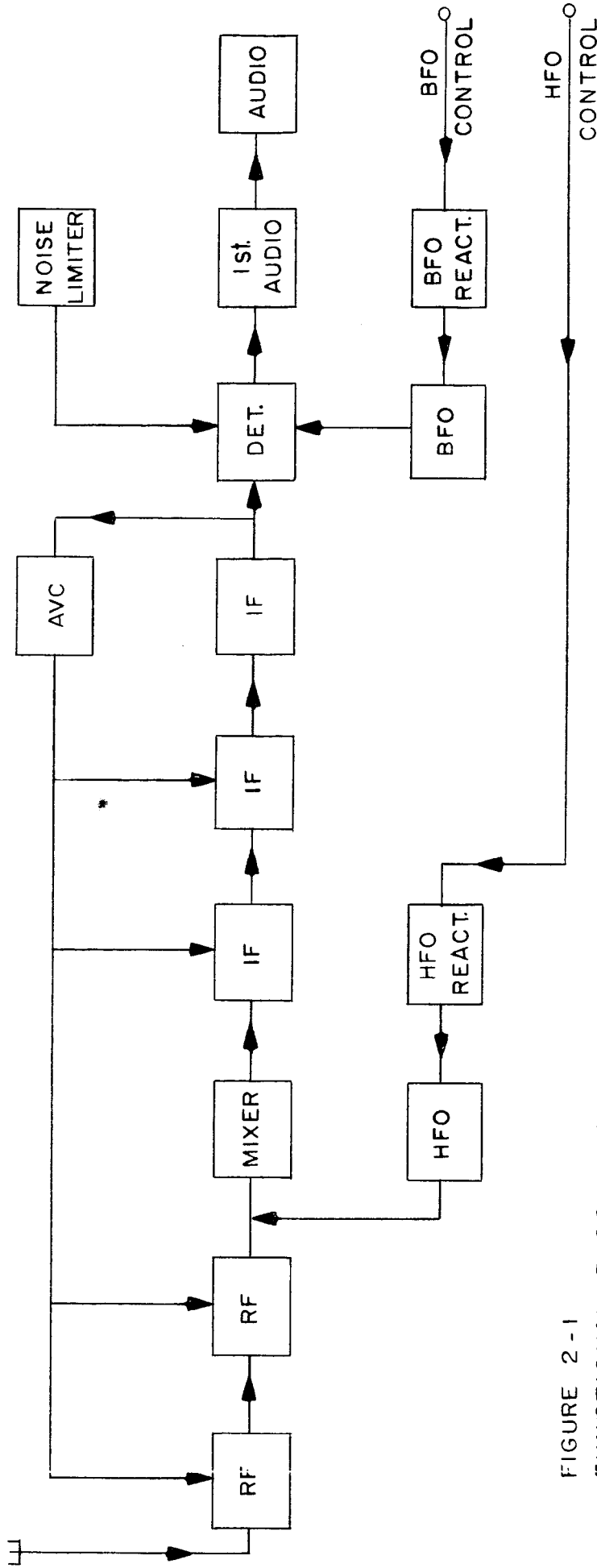
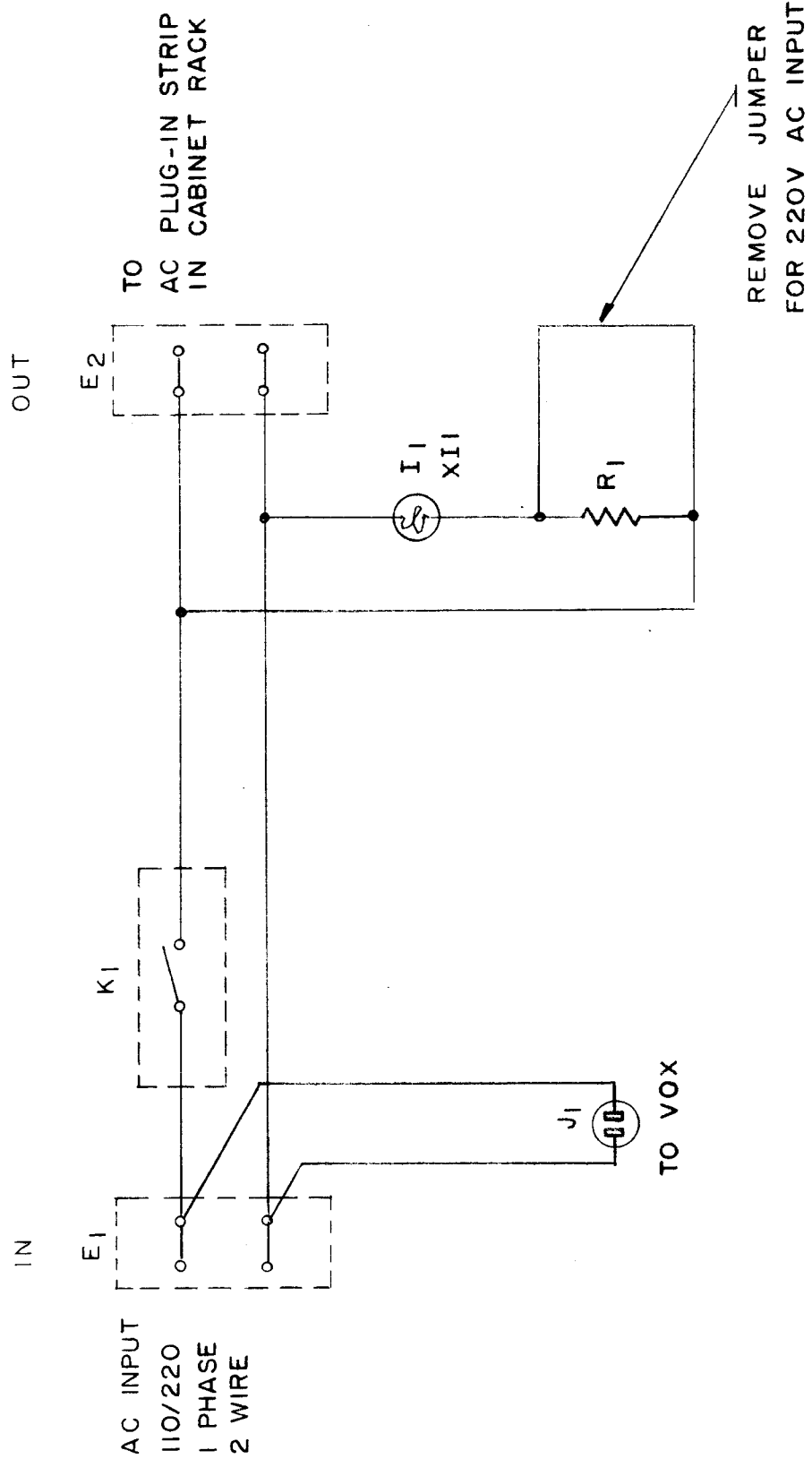


FIGURE 2-1  
FUNCTIONAL BLOCK DIAGRAM  
COMMUNICATION RECEIVER, MODEL FFR

REQ. ITEM	PART NO.	DESCRIPTION	SYMBOL
		THE TECHNICAL MATERIEL CORP. MAMARONECK, NEW YORK	
		FUNCTIONAL BLOCK DIAGRAM	
		COMMUNICATION RECEIVER, MODEL FFR	
		B.P. 6-9-55	G.T.O
		DRAWN	CHECKED
		G.T.O	
		ELEC. DES. APP.	MECH. DES. APP.
		FINISH & SPEC. NO.	CK-136
TOLERANCES			
DEC. DIM. ±	MAXIMUM ALLOWABLE TOLERANCES HAVE BEEN DETERMINED AND ANY DEVIATIONS WILL BE CAUSE FOR REJECTION.		
FRAC. DIM. ±	REMOVE ALL BURRS AND SHARP EDGES		
ANGULAR DIM. ±			
SCALE:	DATE	CH. NO.	DRAFTS
	6-10-55	#	PC
			W.D.C.
			ENG. APP.

CK-142



A	J1 ADDED	3-3-54	ATJ
SYM	DESCRIPTION	DATE	APP

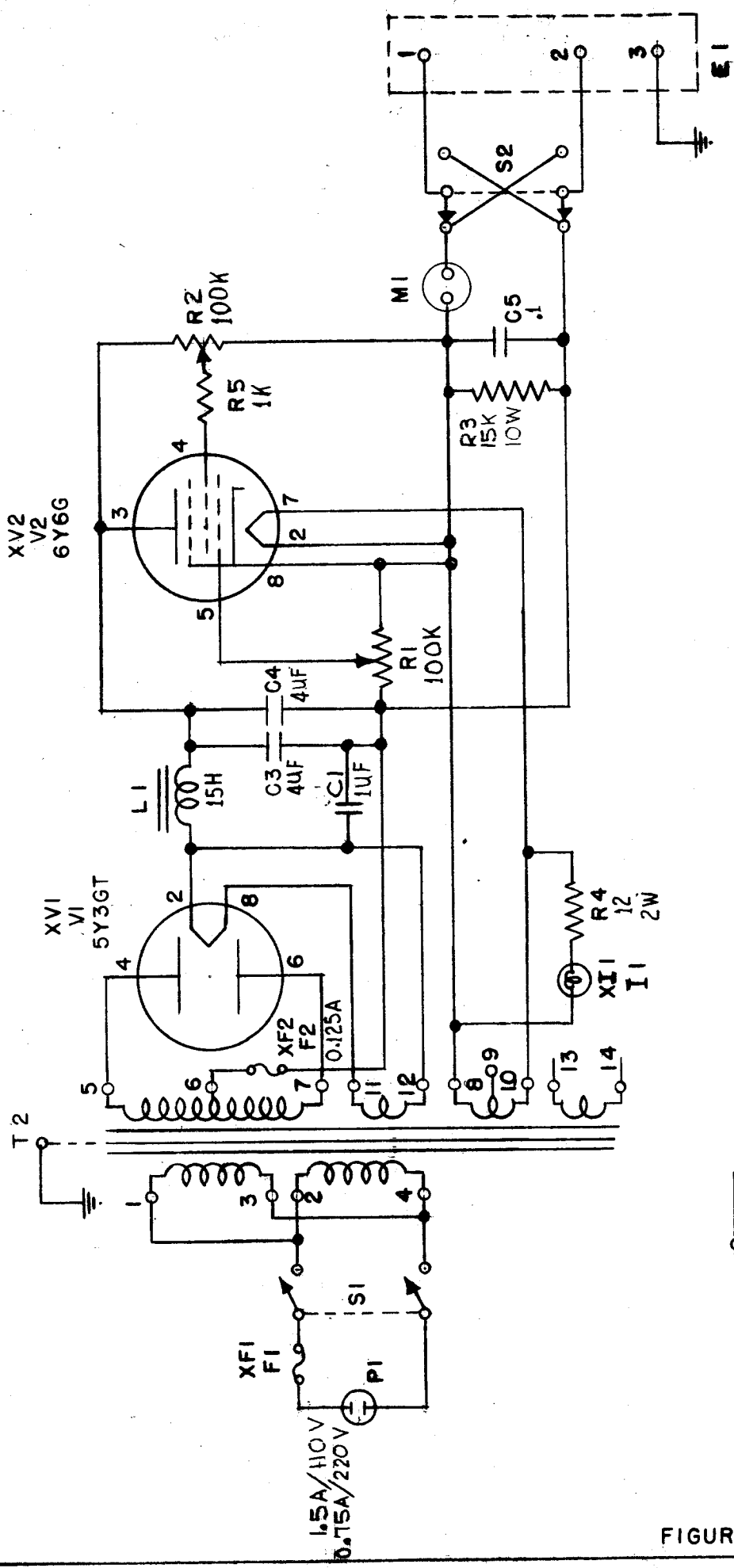
DATE	4-9-51
DRN.	JADe
CHKD.	A. J. J.
APPD.	A. J. J.

SCHEMATIC  
POWER CONTROL PANEL  
MODEL DCP

THE TECHNICAL MATERIEL  
CORPORATION  
MAMARONECK, NEW Y RK

SHEET	OF	NO. CK-142	A
-------	----	------------	---

CK-143



**SCHEMATIC DIAGRAM**  
POWER SUPPLY  
MODEL PSP

**THE TECHNICAL MATERIEL**  
CORPORATION  
MAMARONECK, NEW YORK

DATE	2-12-51	CHKD.	<i>[Signature]</i>
DRAWN	<i>[Signature]</i>	APPD.	<i>[Signature]</i>
SHEET	1	OF	1
NO	CK-143		

ISSUE	CHANGED FROM	DATE	APP.
C 6230	ALL VALUES ADDED	1-19-51	<i>[Signature]</i>
B 43	R2 & R3 Reversed	7/2/50	A. J. J.
A 1	13 TO 11 14 TO 12	7/14/50	<i>[Signature]</i>

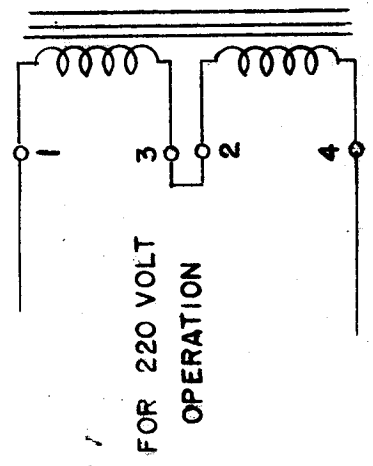


FIGURE 6-13

IF IT IS FOUND DESIRABLE TO CHANGE ANY TOLERANCE OR OTHER DETAIL SPECIFIED ON THIS DRAWING NOTIFY THE PURCHASER PROMPTLY.

MAXIMUM ALLOWABLE TOLERANCES HAVE BEEN DETERMINED AND DEVIATIONS WILL BE CAUSE FOR REJECTION. REMOVE ALL BURRS AND SHARP EDGES

CK-146

USED ON

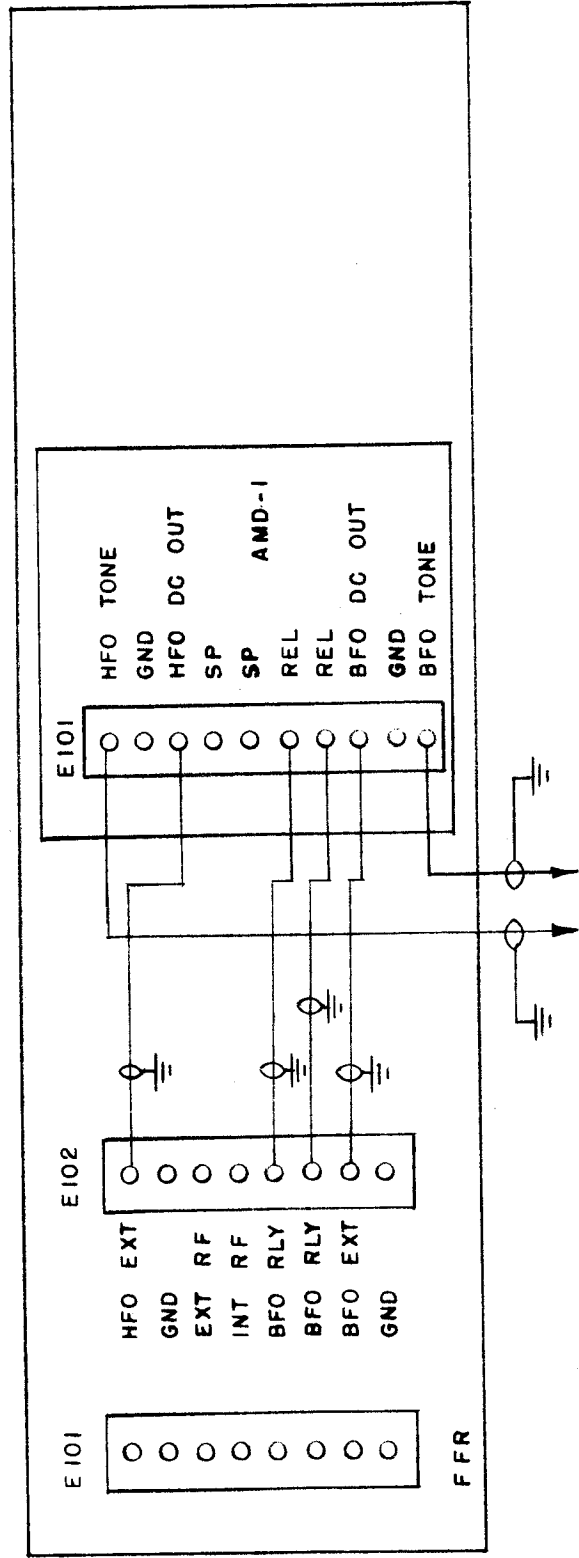
DATE

ASS'Y. NO.

PROJECT NO.

MODEL

4



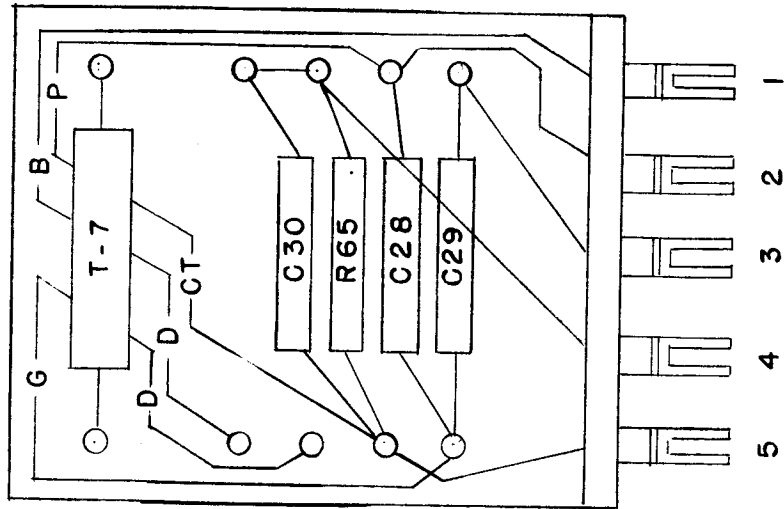
HFO SIGNAL TONE BFO SIGNAL TONE

REQ. ITEM	PART NO.	DESCRIPTION	SYMBOL
		THE TECHNICAL MATERIEL CORP. MAMARONECK. NEW YORK	
STOCK SIZE		FIGURE A-1 CONNECTIONS FOR	
MATERIAL	WEIGHT PER PC.	REMOTE CONTROL OPERATION	
TYPE & TEMPER		<i>JAL</i> 2-6-53	ELEC. DES. APP.
HEAT TREAT. SPEC.		<i>ARB</i>	MECH. DES. APP.
TOLERANCES		CHECKED	FINAL APPROVAL
DEC. DIM. ±	DRILL, PUNCH, COMMERCIAL STOCK		
FRAC. DIM. ±	SIZES AND MANUFACTURERS		
ANGULAR DIM. ±	TOLERANCES ARE NOT INCLUDED.		
ISSUE ITEM	CHANGED FROM	DATE	CN. NO. DRAFTS
			CHECKER
			ENG. APP.
SCALE			
TOLERANCES			
FINISH & SPEC. NO.			
CK-146			

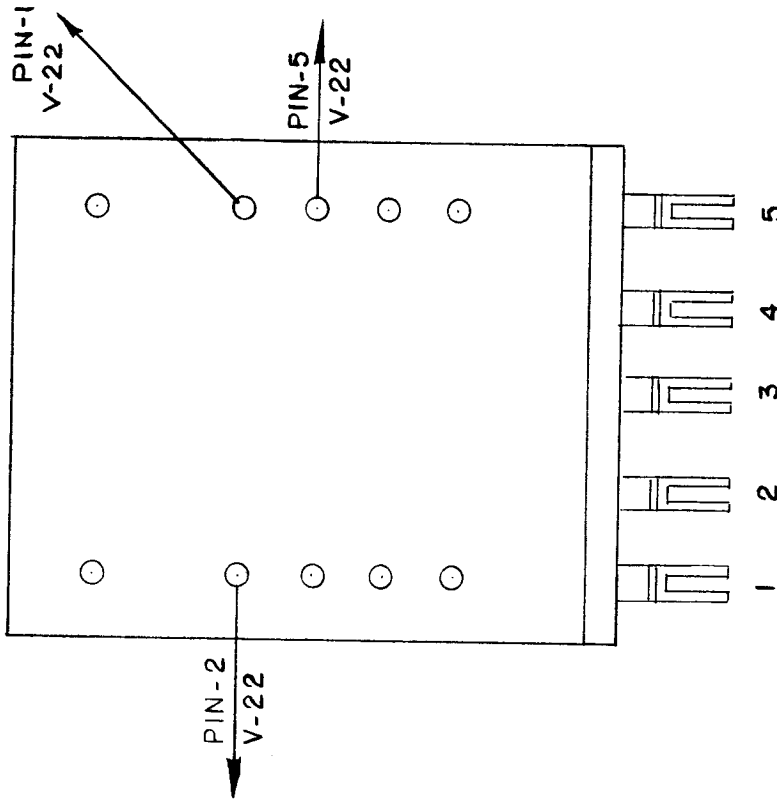


CH-150

FRONT VIEW



REAR VIEW



NOTE:

PIN-2 AND PIN-7 OF TUBE V-22 TO BE CONNECTED TOGETHER.

REFER DWGS.

A-400

A-401

SUPERCEDED: AEW 005

DATE 12-6-51

DRN. *JAK*

CHKD. A. J. J.

APPD. A. J. J.

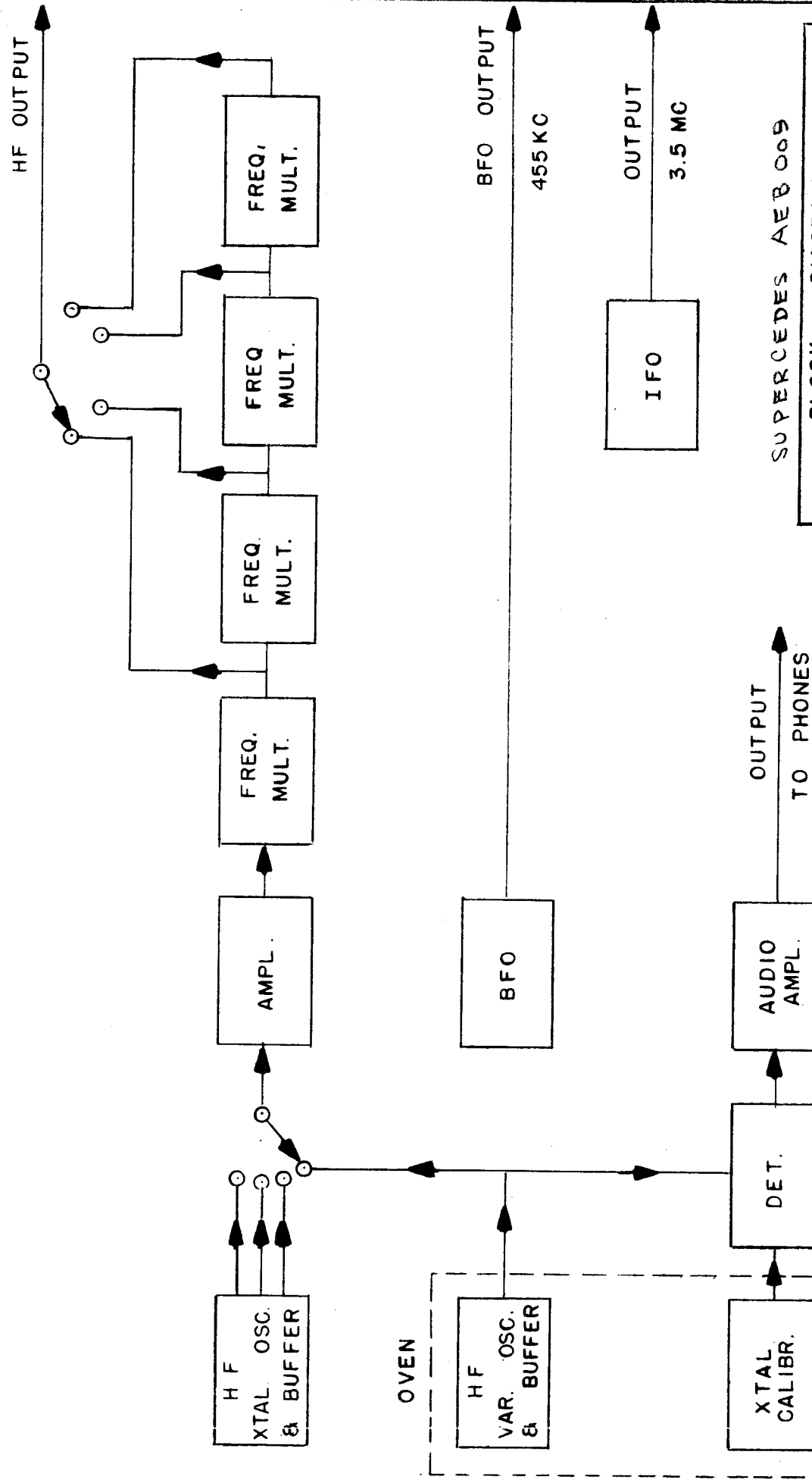
WIRING DIAGRAM  
OSCILLATOR ASSEMBLY

MODEL CFA

THE TECHNICAL MATERIEL  
CORPORATION  
MAMARONECK, NEW YORK

SHEET OF NO. CK-150

CK-162  
 CK-162



SUPERCEDES AEB 009

BLOCK DIAGRAM  
 VARIABLE MASTER OSCILLATOR  
 MODEL VOX

THE TECHNICAL MATERIEL  
 CORPORATION  
 MAMARONECK, NEW YORK

DATE	6-11-51	CHKD.	<i>EJm</i>
DRAWN	<i>AAZ</i>	APTD.	
SECT	OF	NO	CK-162

IF IT IS FOUND DESIRABLE TO CHANGE ANY TOLERANCE OR OTHER DETAIL SPECIFIED ON THIS DRAWING NOTIFY THE PURCHASER PROMPTLY.

MAXIMUM ALLOWABLE TOLERANCES HAVE BEEN DETERMINED AND DEVIATIONS WILL BE CAUSE FOR REJECTION. REMOVE ALL BURRS AND SHARP EDGES

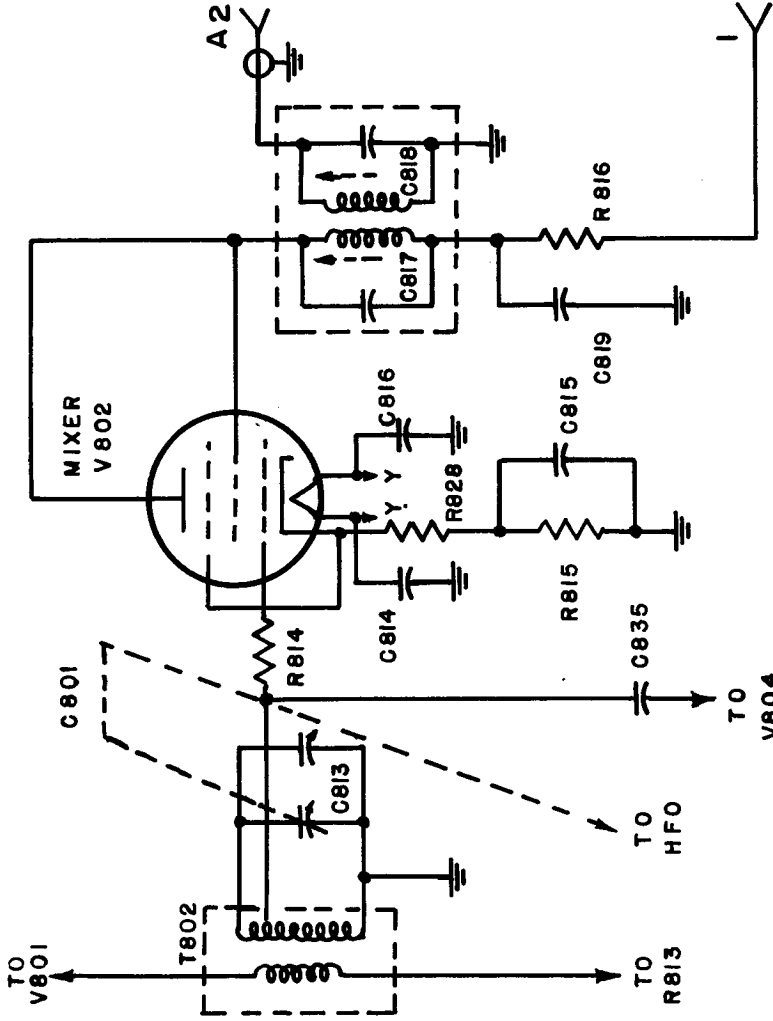
CK-182

USED ON

MODEL PROJECT NO. ASS'Y. NO. DATE

FFR

7-14-53



REQ. ITEM	PART NO.	DESCRIPTION	SYMBOL
THE TECHNICAL MATERIEL CORP. MAMARONECK, NEW YORK			
MIXER CIRCUIT			
DRAWN		ELEC. DES. APP.	MECH. DES. APP.
DRD 10-16-53		DRD 10-16-53	
CHECKED		FINAL APPROVAL	
STOCK SIZE			
MATERIAL		WEIGHT PER PC.	
TYPE & TEMPER			
HEAT TREAT. SPEC.			
FINISH & SPEC. NO.		CK-182	

ISSUE ITEM	CHANGED FROM	DATE	CN. NO.	DRAFTS	CHECKER	ENG. APP.
TOLERANCES						
SCALE						
DRILL, PUNCH, COMMERCIAL STOCK SIZES AND MANUFACTURERS TOLERANCES ARE NOT INCLUDED.						
ALL	DEC. DIM. ±					
OTHERS	FRAC. DIM. ±					
	ANGULAR DIM. ±					

