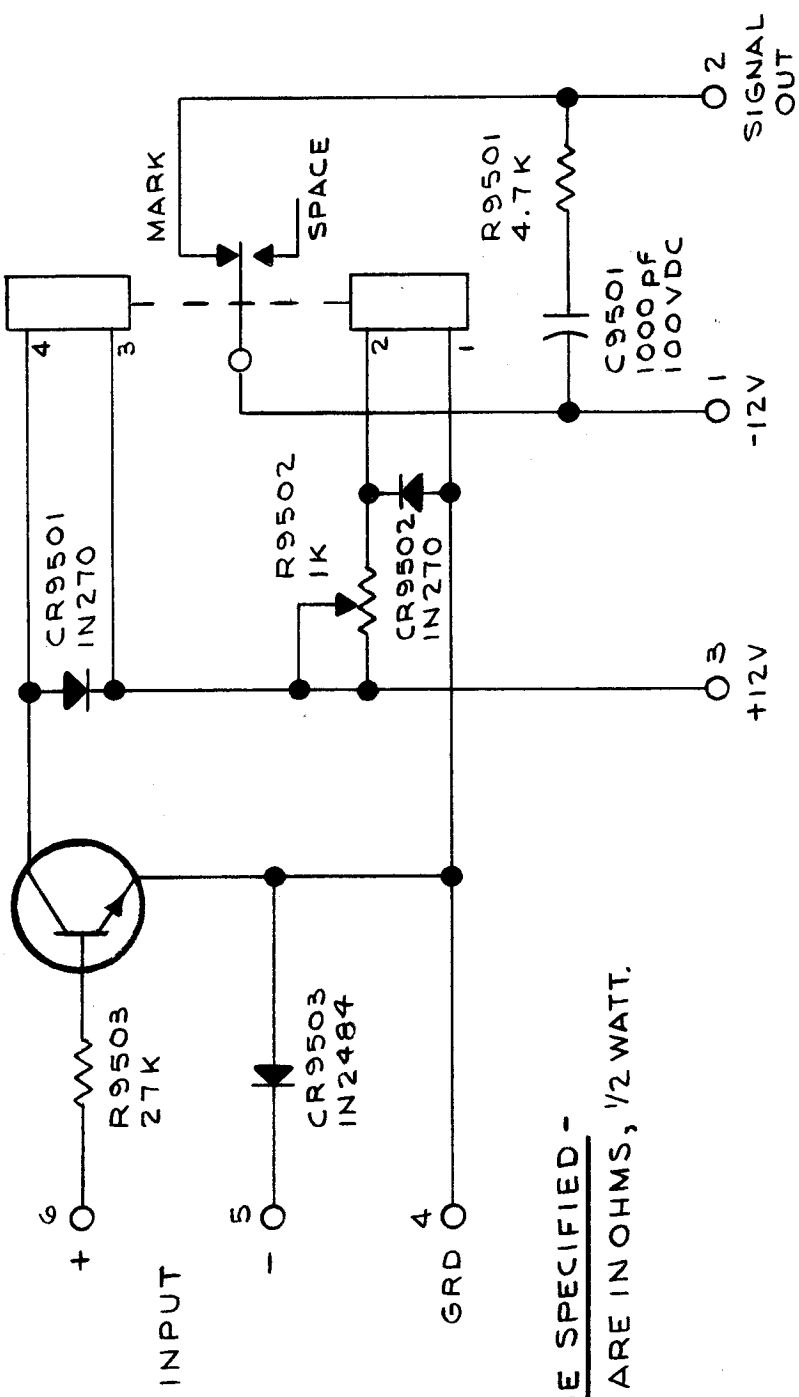


REQ. PER UNIT	MODEL	USED ON
	AK101	ASSY. NO.
		DATE
		9-14-65

CK1042 A

Q9501
2N3646
K9501

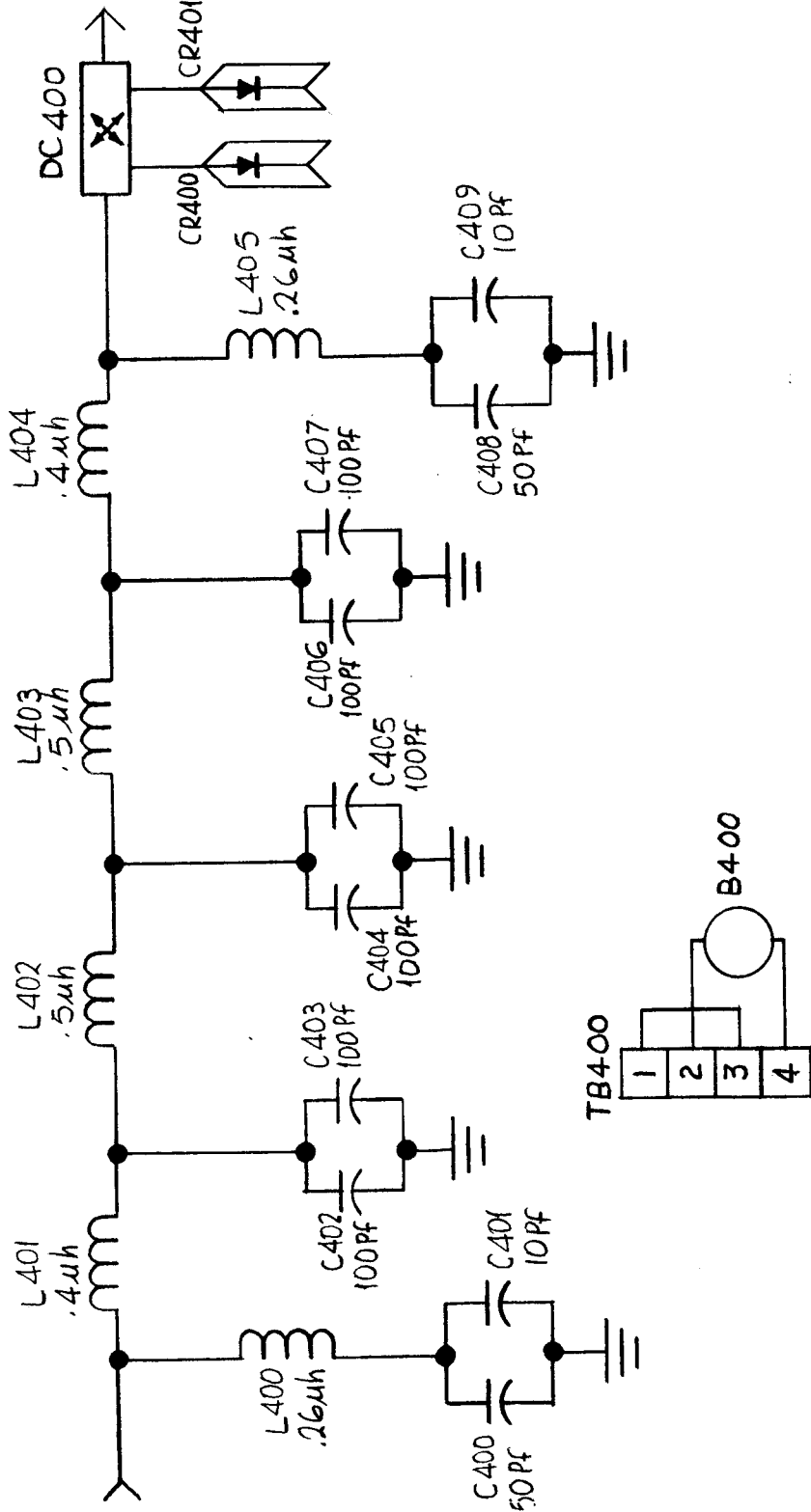


- UNLESS OTHERWISE SPECIFIED -
I-ALL RESISTORS VALUES ARE IN OHMS, 1/2 WATT.

SYMBOLS	
LAST	MISSING
R9503	
C9501	
CR9503	
Q9501	
K9501	

REQ. ITEM	PART NO.	DESCRIPTION	SYMBOL
		THE TECHNICAL MATERIEL CORP. MAMARONECK, NEW YORK	
	STOCK SIZE	DIAGRAM, SCHEMATIC (KEYER)	
	MATERIAL		
	TYPE & TEMPER	J. LESHINSKI	
	HEAT TREAT. SPEC.	12/12/65	
	FINISH & SPEC. NO.	CK1042	A
	CHECKER	12/12/65	
	ENG. APP.		
	SCALE		
	DATE	12/17/65	
	CH. NO.	15308	
	DRAFTS	W.V.	
	CHECKER	W.V.	
	DESCRIPTION	ORIGINAL RELEASE	
	UNLESS OTHERWISE SPECIFIED		
	DIMENSIONS ARE IN INCHES AND INCLUDE		
	CHEMICALLY APPLIED OR PLATED FINISHES		
	TOLERANCES	FRACTIONS	
	.X ± .05	± 1/64	
	.XX ± .01	ANGLES	
	.XXX ± .005	± 0° 30'	

REQ. PER UNIT	MODEL	USED ON	DATE
1	TST-10K (AF104)	ASSY. NO.	10-6-65
CK1050			A

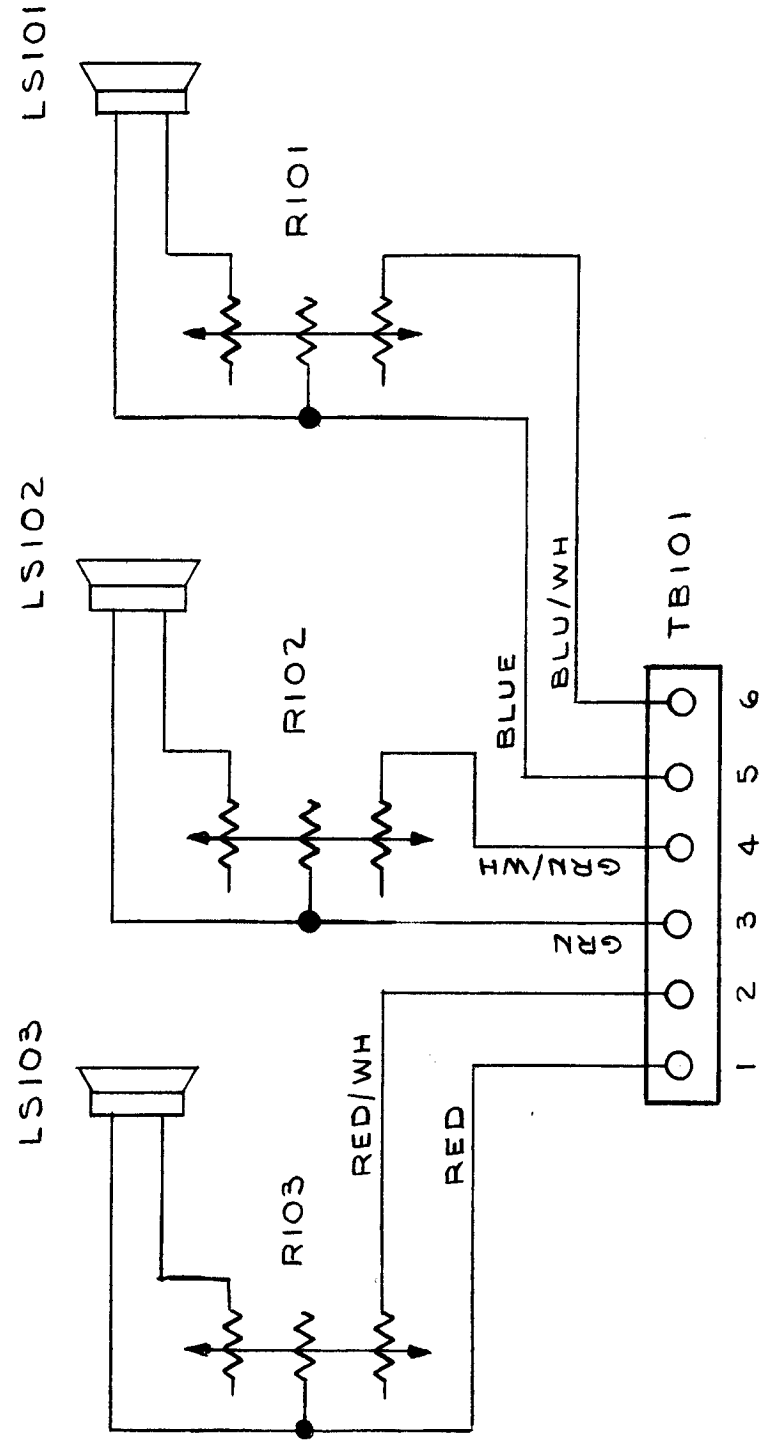


REQ. ITEM	PART NO.	F. BUDETTI	DESCRIPTION	SYMBOL
			THE TECHNICAL MATERIEL CORP. MAMARONECK. NEW YORK	
			DIAGRAM, SCHEMATIC	
			LOW PASS FILTER, FIXED	
			CHECKED	
			DRAWN	
			ELEC. DES. APP.	
			MECH. DES. APP.	
			FIN. APPROVAL	
			CK1050	A

DESCRIPTION	DATE	CHECKER	ENG. APP.
ADDED TB400 & B400	6-27-67	L.A.K.	FB
ORIGINAL RELEASE FOR PRODUCTION	8-25-66	RME	
CR400, CR401 ADDED, DC400 CH.	11-23-65		JA
SCALE			
UNLESS OTHERWISE SPECIFIED DIMENSIONS ARE IN INCHES AND INCLUDE CHEMICALLY APPLIED OR PLATED FINISHES			
TOLERANCES			
DECIMALS			
X ± .05			
XX ± .01			
.XXX ± .005			
FRACTIONS			
± 1/64			
ANGLES			
± 0° 30'			
FINISH & SPEC. NO.			
FINISH & SPEC. NO.			

REQ. PER UNIT		USED ON	
1	LSP-8	MODEL	ASSY. NO.
1	LSP-8A		
		DATE	DATE
		1/5/66	4/12/66

CK1087 A



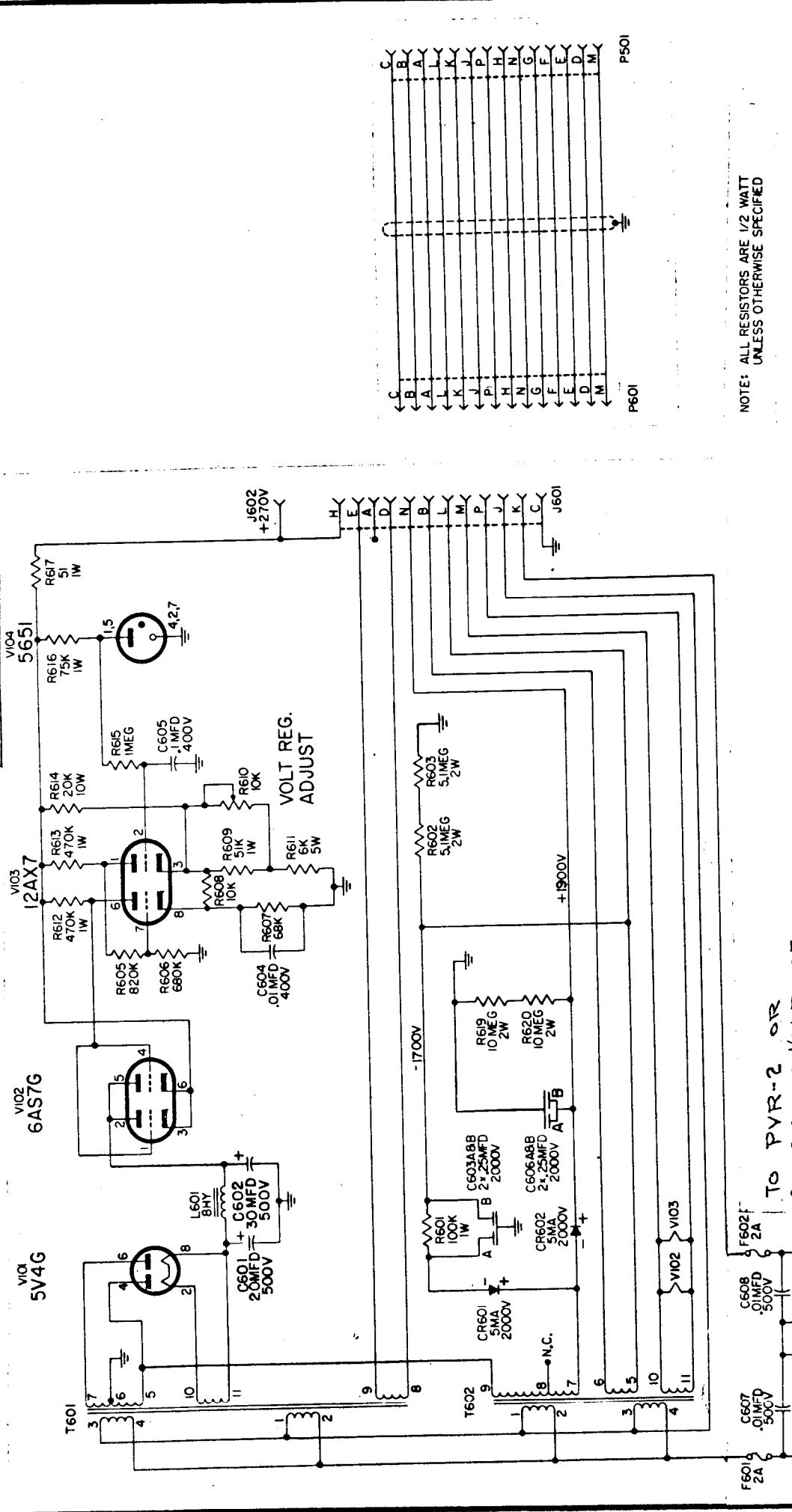
REQ. ITEM	PART NO.	DESCRIPTION	SYMBOL
		R. HAY	
		THE TECHNICAL MATERIEL CORP. MAMARONECK, NEW YORK	
		DIAGRAM, SCHEMATIC	
		LSP-8	
		JL	1/5/66
		DRAWN	CHECKED
		TYPE & TEMPER	HEAT TREAT. SPEC.
		MATERIAL	FIN. APP. APPROVAL
		FINISH & SPEC. NO.	ELEC. DES. APP. MECH. DES. APP.
		DATE	CHECKER
		5/4/66	JL
		CH. NO.	ENG. APP.
		1/6/66	JL
		DESCRIPTION	SCALE
		ORIGINAL RELEASE	
		UNLESS OTHERWISE SPECIFIED DIMENSIONS ARE IN INCHES AND INCLUDE CHEMICALLY APPLIED OR PLATED FINISHES	
		TOLERANCES	CODE
		FRACTIONS	± 1/64
		DECIMALS	± 0.005
		ANGLES	± 0° 30'

CK1087A

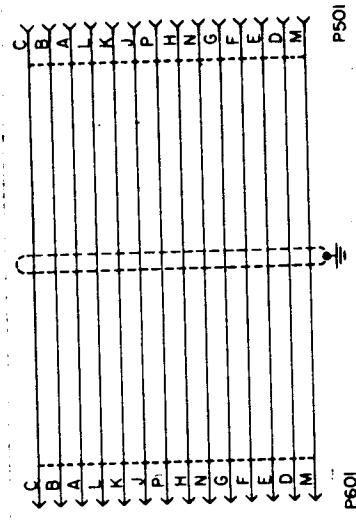
CK1096

USED ON
 REQ. PER UNIT
 MODEL
 ASS'Y. NO.
 DATE

FSA-4
 2-16-66



NOTE: ALL RESISTORS ARE 1/2 WATT UNLESS OTHERWISE SPECIFIED



REQ. ITEM	PART NO.	DESCRIPTION	SYMBOL
		THE TECHNICAL MATERIEL CORP. MAMARONECK, NEW YORK	
		DIAGRAM, SCHEMATIC	
		FSA-A (POWER SUPPLY)	
		<i>W.P.</i>	<i>Millham</i>
		CHECKED	FINAL APPROVAL
		DRAWN	
		ELEC. DES. APP.	
		MECH. DES. APP.	
		FINISH & SPEC. NO.	CK1096
		HEAT TREAT. SPEC.	
		CHECKER	
		ENG. APP.	
		DATE	2-16-66
		CH. NO.	M-Jc
		SCALE	
		DESCRIPTION	ORIGINAL RELEASE FOR PRODUCTION
		UNLESS OTHERWISE SPECIFIED DIMENSIONS ARE IN INCHES AND INCLUDE CHEMICALLY APPLIED OR PLATED FINISHES	
		TOLERANCES	FRACTIONS ± 1/64 ANGLES, ± 0° 30'
		DECIMALS	.X ± .05 .XX ± .01 .XXX ± .005