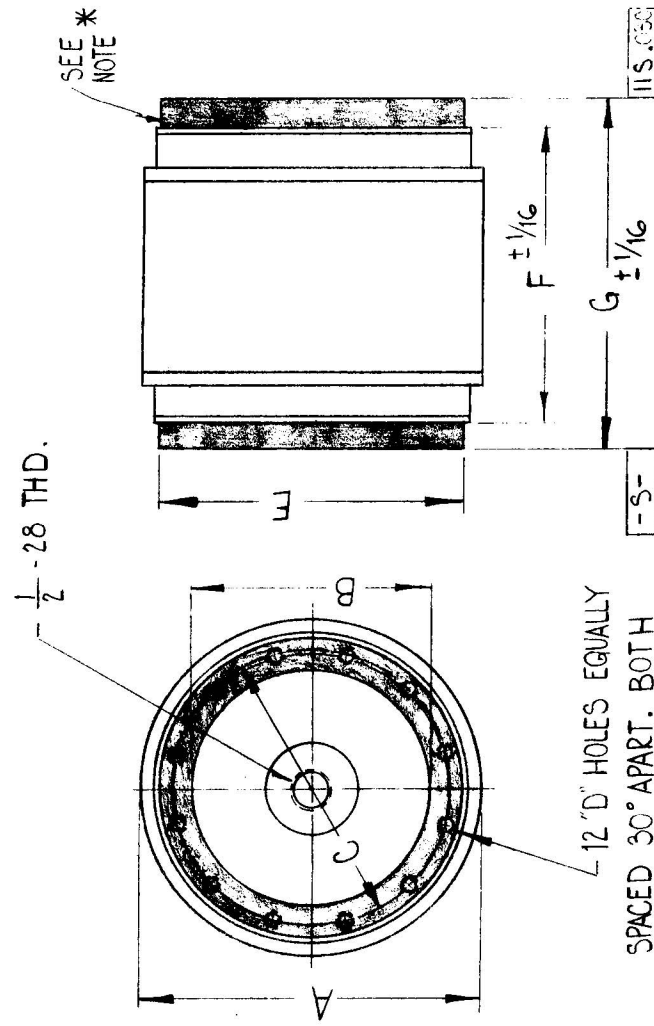


REQ. PER UNIT	MODEL	USED ON
	GPT-200K	ASBY. NO. AX 395
		DATE 10-18-63

CB 167 B

TMC PART NO.	MFG PART NO.	CAP RANGE	VOLTAGE RATING PEAK KV	CUR RATING	DIMENSIONS TYP. BOTH ENDS				DIM E	DIM F	DIM G
					A MAX	B	C	D			
CB 167-1	CVFB 750	25-750	40	125	7.20	5.156	5.656	1/4-20 X 25/64 DP.	6.156	7 1/16	8 3/16
CB 167-2	CVFB 1500	100-1500	40	135	7.20	5.156	5.656	1/4-20 X 25/64 DP.	6.156	8 13/32	9 17/32



CB 167-1

TMC PART NO. (SEE CHART)

NOTE * SHADED AREAS INDICATE CONTACT SURFACES.

B	MAX ADDED ON "A" DIM. CB167-1 CB167-2 7.20 WAS 7	1-19-66	15544	MS	QC3	QA	F. BUDETTI	DESCRIPTION	SYMBOL
A	CB-167-2 CAP RANGE WAS 35-1500	11.11.64	12883	ASB	ASB	ASB		THE TECHNICAL MATERIEL CORP. MAMARONECK. NEW YORK	
O	ORIGINAL RELEASE	5.18.64						CAPACITOR, VARIABLE, VACUUM CERAMIC CASE	
X2	REDRAWN & REVISED. WAS 2 SIZE DWG	10-18-63							
SYM	DESCRIPTION	DATE	CH. NO.	DRAFTS	CHECKER	ENG. APP.	MATERIAL		
UNLESS OTHERWISE SPECIFIED DIMENSIONS ARE IN INCHES AND INCLUDE CHEMICALLY APPLIED OR PLATED FINISHES									
TOLERANCES FRACTIONS ± 1/64 ANGLES ± 0° 30' DECIMALS .XX ± .01 .XXX ± .005									
TYPE & TEMPER HEAT TREAT. SPEC.							W.A. FRANCO		
FINISH & SPEC. NO.							DRAWN		
S401-48 (CVF)							CHECKED		
							FINAL APPROVAL		
							CB 167		