

CB 152

CAPACITANCE AVAILABLE	
TMC CODE	CAP. IN MMFD
700	25-700
1000	25-1000

CHART 1

VOLTAGE AVAILABLE	
TMC CODE	VOLTAGE (PEAK)
15	15KV

CHART 2

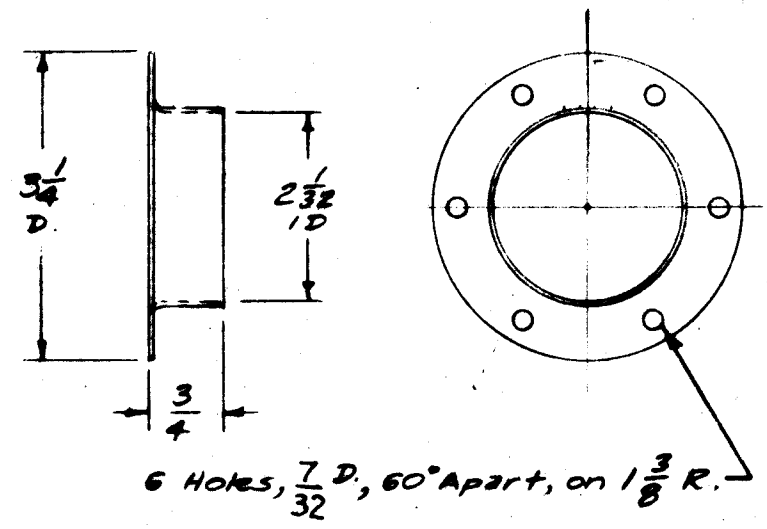
FLANGE ARRANGEMENT	
TMC CODE	ARRANGEMENT
A	NO FLANGES
B	NO VARIABLE END FLANGE, FIXED END FLANGE WELDED TO END

CHART 3

NOTE: KV PEAK AT 60 cps MAX. RATING

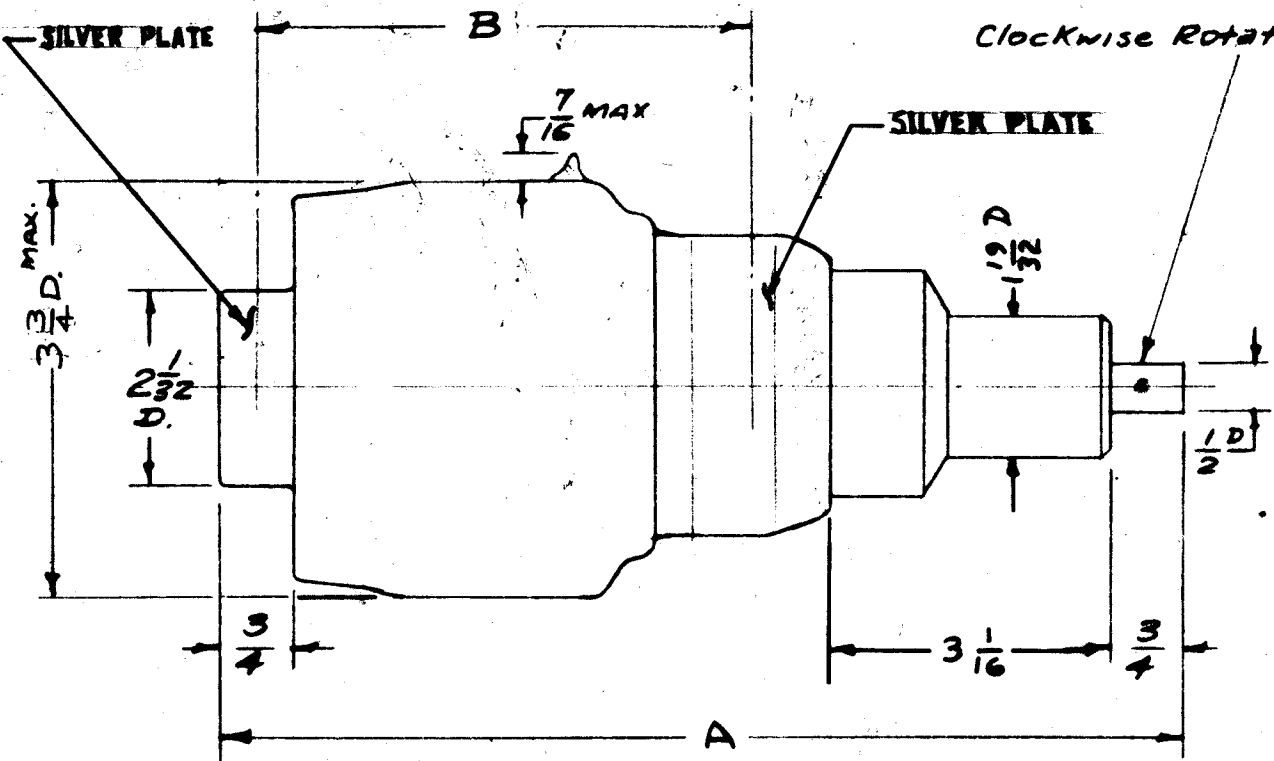
Ferrous Materials Shall Not Be Used At Any Point
Temperature Coefficient: Less Than 30ppm/°C

Note-This Flange Required Only when called for in Part No, as per "B" Type Flange Arrangement.



FIXED END FLANGE

TYPE FM2LL (NO LOCKING DEVICE)
.062 COPPER, SILVER PLATED



CAPACITY	DIMENSION	
	A	B
25-700	9 5/8 ± 1/4	4 13/16 ± 1/4
25-1000	9 13/16 ± 1/4	5 ± 1/4

NOTICE TO PERSONS RECEIVING THIS DRAWING

THE TECHNICAL MATERIEL CORPORATION claims proprietary right in the material disclosed herein. This drawing is issued to you for engineering information only and may not be reproduced or used to manufacture anything shown herein without permission from THE TECHNICAL MATERIEL CORPORATION to the user. This drawing is loaned for mutual assistance and is subject to recall at any time.

Property of:
THE TECHNICAL MATERIEL CORPORATION
MAMARONECK, NEW YORK

TMC PART NO. TO BE IN FOLLOWING FORM:

CB 152 - 1000 - 15 A

REF. NOTE -
When this Capacitor requires loose Mtg. Flanges, Use TMC Dwg. No. PO 185-3 for fixed end & PO 185-7 for Variable end.

BASIC TMC PART NO.	MAX. CAPACITANCE DESIRED (in MMFD) SEE CHART # 1 TMC CODE	VOLTAGE DESIRED (in KV) SEE CHART 2 TMC CODE	FLANGE ARRANGEMENT DESIRED SEE CHART 3 TMC CODE
--------------------	---	--	---

Example: CB 152-1000-15A = Capacitor, Variable, Vacuum, 25 to 1000 MMFD., 15 KV, No Flanges.

ISSUE	ITEM	CHANGED FROM	DATE	CH. NO.	DRAFTS	CHECKER	ENG. APP.
D	1	SEE SH. 2 OF 2	4-30-65	13952	G.L.	QC/8	[Signature]
C	#	SH. 1 OF 2 REVISED SH. 2 OF 2 ADDED	10-30-64	12702	g.z.	@	[Signature]
B	1	ON FLANGE Hole Dim. WAS 3/16, TYPE WAS FM 2B	8-5-61	5378	G.D.L.	RU	[Signature]
A	1	ON FLANGE DETAIL SILVER PLATE WAS .062	5-15-61	4875	W.H.	QC/2	[Signature]

TOLERANCES		SCALE: S-48148 (UCS K)
DEC. DIM. ±		MAXIMUM ALLOWABLE TOLERANCES HAVE BEEN DETERMINED AND ANY DEVIATIONS WILL BE CAUSE FOR REJECTION. REMOVE ALL BURRS AND SHARP EDGES
FRAC. DIM. ± 1/32		
ANGULAR DIM. ± 1°		

REQ. PER UNIT	MODEL	PROJECT NO.	ASST. NO.	DATE
				8-24-60

REQ. ITEM	PART NO.	DESCRIPTION	SYMBOL
		THE TECHNICAL MATERIEL CORP. MAMARONECK, NEW YORK	
		CAPACITOR, VARIABLE, VACUUM	
		MATERIAL	
		TYPE & TEMPER	
		HEAT TREAT. SPEC.	
		DRAWN	
		CHECKED	
		FINAL APPROVAL	
		FINISH & SPEC. NO.	
		ELEC. DES. APP.	
		MECH. DES. APP.	

CB 152 D

CB 152

CAPACITANCE AVAILABLE	
TMC CODE	CAP. IN MMFD
700	25-700
1000	25-1000

CHART 1

VOLTAGE AVAILABLE	
TMC CODE	VOLTAGE (PEAK)
15	15KV

CHART 2

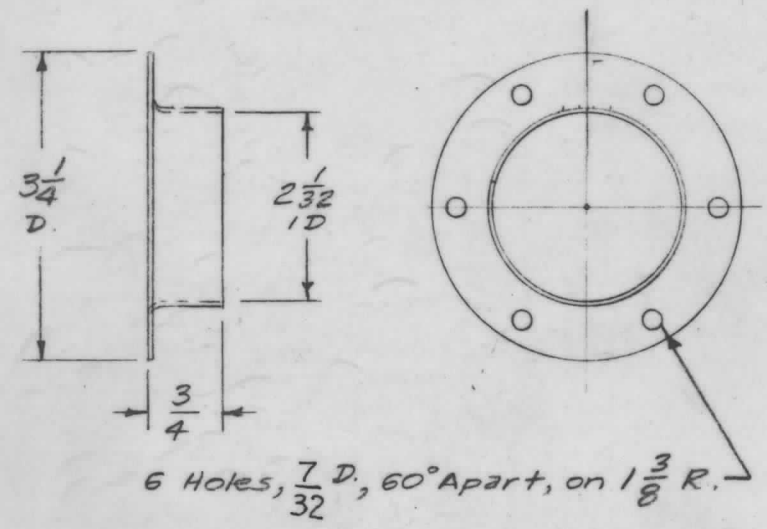
FLANGE ARRANGEMENT	
TMC CODE	ARRANGEMENT
A	NO FLANGES
B	NO VARIABLE END FLANGE, FIXED END FLANGE WELDED TO END

CHART 3

NOTE: KV PEAK AT 60 cps MAX. RATING

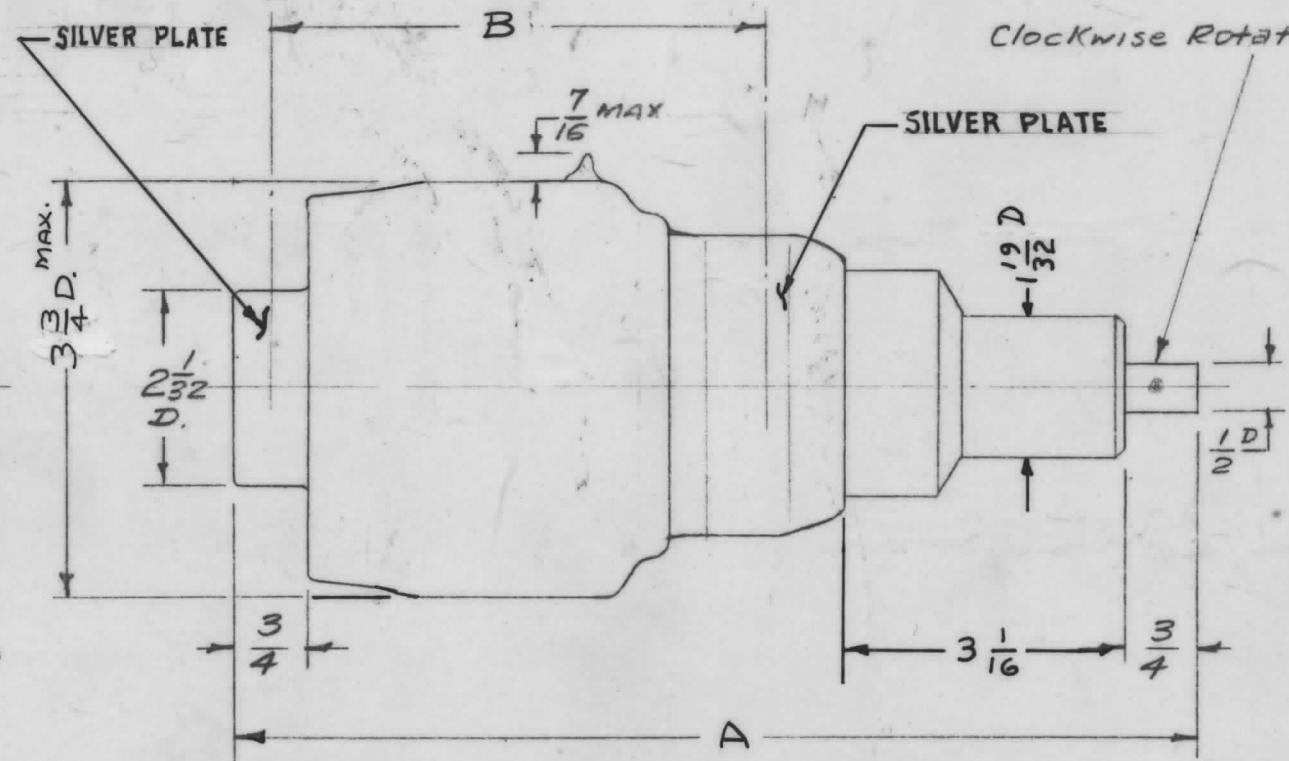
Ferrous Materials Shall Not Be Used At Any Point
Temperature Coefficient: Less Than 30ppm/°C

Note - This Flange Required Only when called for in Part No., as per "B" Type Flange Arrangement.



FIXED END FLANGE

TYPE FM2LL (NO LOCKING DEVICE)
.062 Copper, SILVER Plated



Clockwise Rotation of Shaft Decreases Capacity.

CAPACITY	DIMENSION	
	A	B
25-700	$9\frac{5}{8} \pm \frac{1}{4}$	$4\frac{13}{16} \pm \frac{1}{4}$
25-1000	$9\frac{13}{16} \pm \frac{1}{4}$	$5 \pm \frac{1}{4}$

NOTICE TO PERSONS RECEIVING THIS DRAWING

THE TECHNICAL MATERIEL CORPORATION claims proprietary right in the material disclosed hereon. This drawing is issued in confidence for engineering information only and may not be reproduced or used to manufacture anything shown hereon without permission from THE TECHNICAL MATERIEL CORPORATION to the user. This drawing is loaned for mutual assistance and is subject to recall at any time.

Property of:
THE TECHNICAL MATERIEL CORPORATION
MAMARONECK, NEW YORK

TMC PART NO. TO BE IN FOLLOWING FORM:

CB 152 - 1000 - 15 A

BASIC TMC PART NO.	MAX. CAPACITANCE DESIRED (in MMFD) See CHART # 1 TMC CODE	VOLTAGE DESIRED (in KV) See CHART 2 TMC CODE	FLANGE ARRANGEMENT DESIRED See CHART 3 TMC CODE
--------------------	---	--	---

Example: CB 152-1000-15A = Capacitor, Variable, Vacuum, 25 to 1000 MMFD., 15 KV, No Flanges.

REF. NOTE -

When this Capacitor requires loose Mtg. Flanges, Use TMC Dwg. No. PO 185-3 for fixed end & PO 185-7 for Variable end.

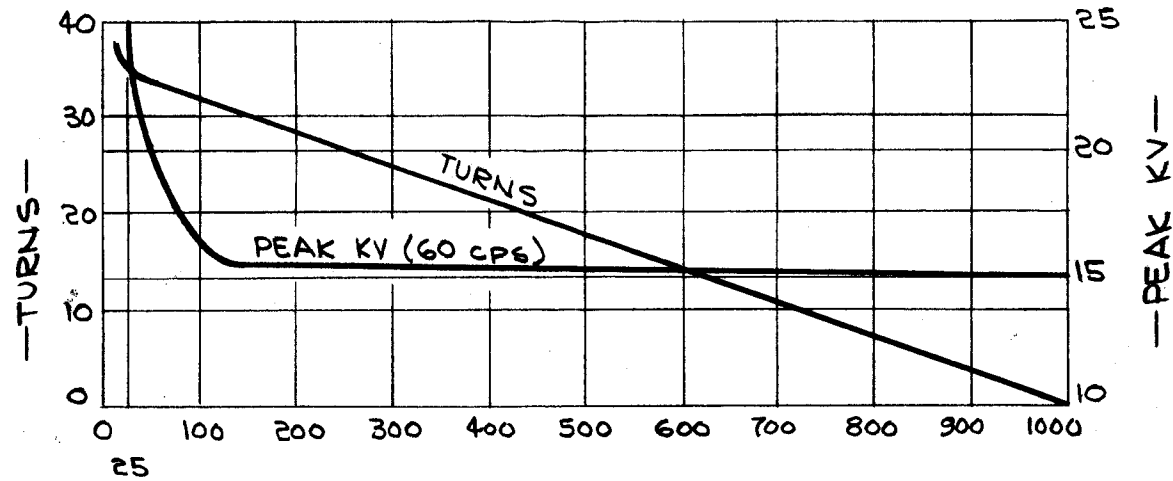
ISSUE	ITEM	CHANGED FROM	DATE	CH. NO.	DRAFTS	CHECKER	ENG. APP.
D	1	SEE SH. 2 OF 2	4-30-65	13952	G. J.
C	#	SH. 1 OF 2 REVISED SH. 2 OF 2 ADDED	10-30-64	12702	J. L. ...	@	...
B	1	ON FLANGE HOLE DIM. WAS 3/16 TYPE WAS FM 2B	8-5-61	5378	G. D. L.	RU	...
A	1	ON FLANGE DETAIL SILVER PLATE WAS GOOD	5-15-61	4875

TOLERANCES		SCALE: S-481-48 (UCS X)
DEC. DIM. ±	FRAC. DIM. ± 1/32	ANGULAR DIM. ± 1°
MAXIMUM ALLOWABLE TOLERANCES HAVE BEEN DETERMINED AND ANY DEVIATIONS WILL BE CAUSE FOR REJECTION. REMOVE ALL BURRS AND SHARP EDGES		

REQ. PER UNIT	MODEL	PROJECT NO.	ASS'Y. NO.	DATE
				8-24-60
USED ON				

REQ. ITEM	PART NO.	DESCRIPTION	SYMBOL
STOCK SIZE			
THE TECHNICAL MATERIEL CORP. MAMARONECK, NEW YORK			
CAPACITOR, VARIABLE, VACUUM			
MATERIAL			
TYPE & TEMPER		HEAT TREAT. SPEC.	DATE
			8-24-60
FINISH & SPEC. NO.		ELEC. DES. APP.	MECH. DES. APP.
			CB 152 D

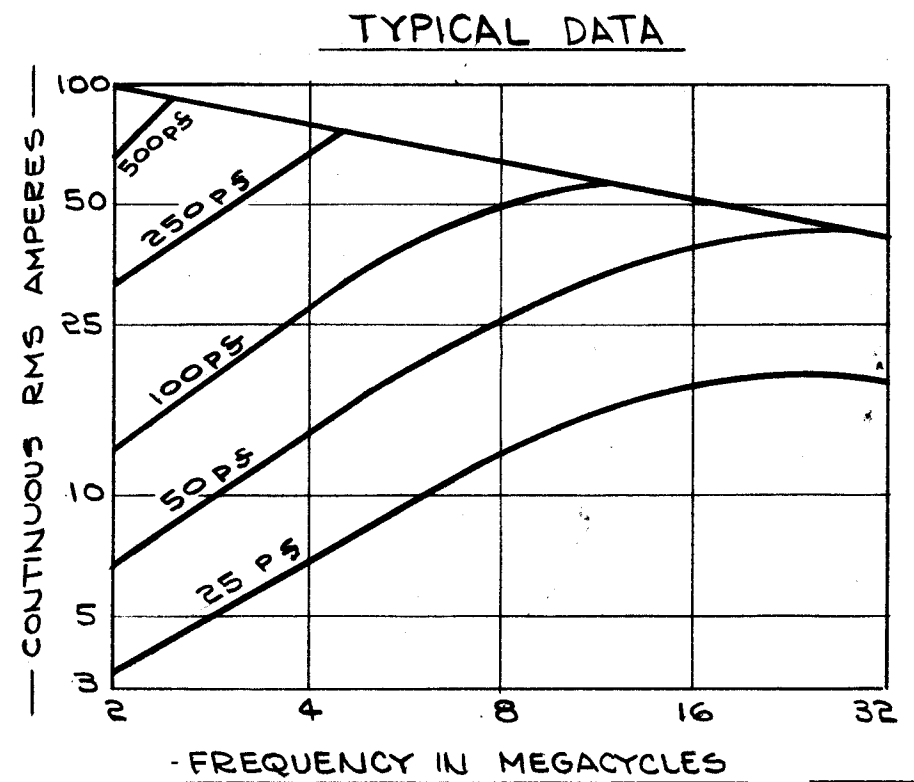
TYPICAL DATA



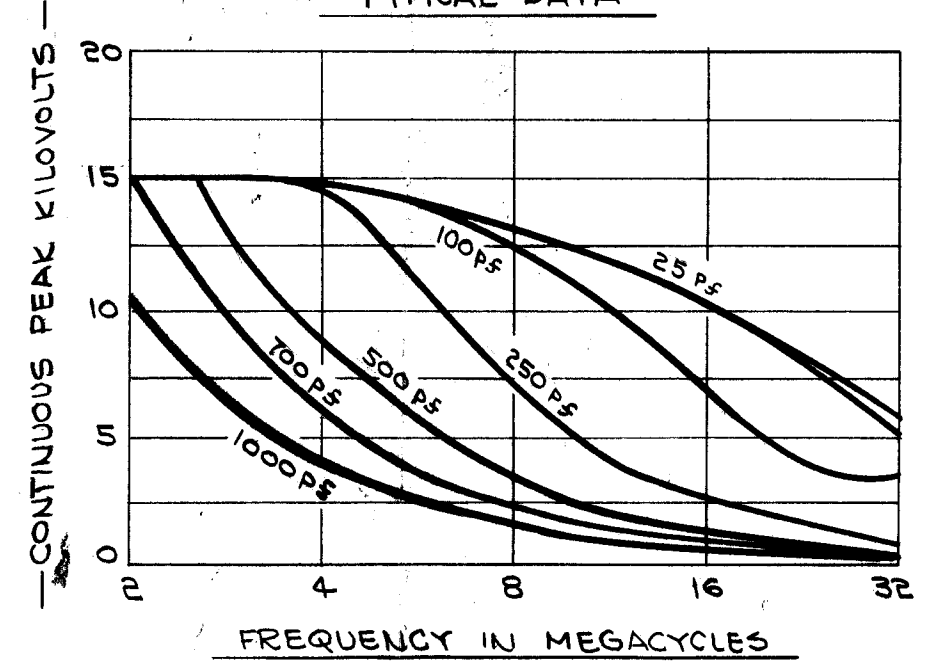
SYM	DESCRIPTION	REVISIONS				
		DATE	E.M.N. NO.	DRAFT	CHKD	APPD
C	SHEET 2 OF 2 ADDED	11-24-64	12702	S.L.	[Signature]	
D	ON CB152-1000 CHART TURNS 0 TO 1000 DELETED	4-30-65	13952	[Signature]	[Signature]	

STANDARD DRAWING

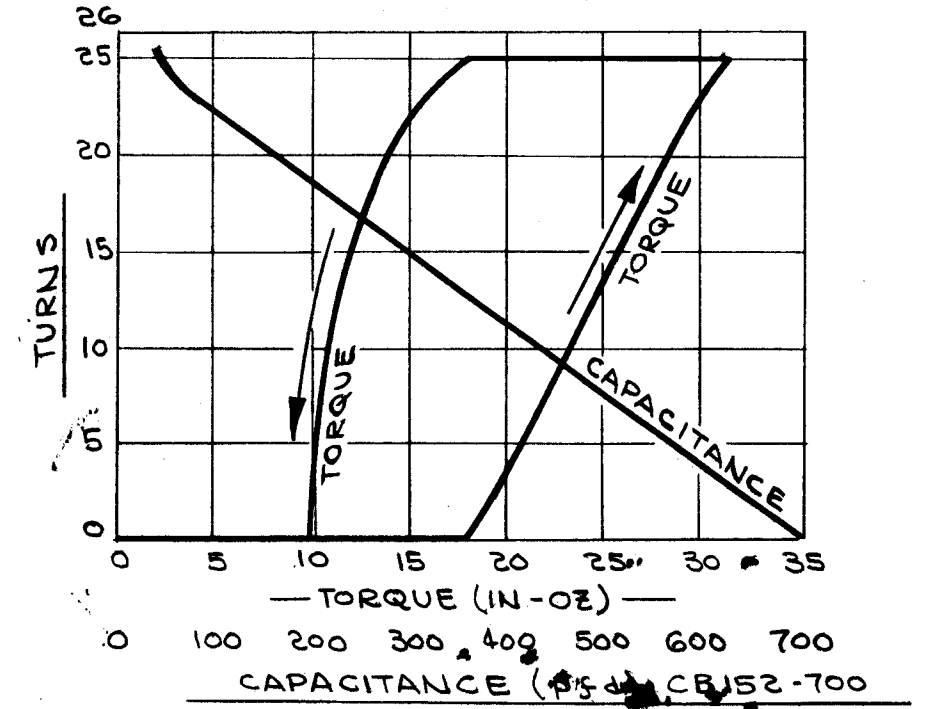
CAPACITY IN pfd (CB152-1000)



TYPICAL DATA



TYPICAL DATA



REQ'D.	ITEM	PART NUMBER	DESCRIPTION	SYMBOL
R. DEWEY LIST OF MATERIAL				
MATERIAL			THE TECHNICAL MATERIEL CORP. MAMARONECK, NEW YORK	
FINISH			TITLE CAPACITOR, VARIABLE, VACUUM	
UNLESS OTHERWISE SPECIFIED DIMENSIONS ARE IN INCHES AND INCLUDE CHEMICALLY APPLIED OR PLATED FINISHES			DRAWN: <i>G. Swam</i> DATE: 11-24-64 CHECKED: <i>G. Swam</i> DATE: 11-24-64 ELECT. DES. DATE: MECH. DES. DATE:	FINAL APPROVAL: <i>[Signature]</i> DATE: CB152 D SHEET 2 OF 2 REV. LTR.

STANDARD DRAWING

Q'TY./UNIT	MODEL USED ON	ASS'Y. NO.
SCALE: <i>4</i>	CODE: C	5401-48 (UC 5X)
THE CONTENTS OF THIS DRAWING ARE THE EXCLUSIVE PROPERTY OF THE TECHNICAL MATERIEL CORP. ITS UNAUTHORIZED USE OR REPRODUCTION IN WHOLE OR IN PART IS STRICTLY FORBIDDEN.		

NOTES