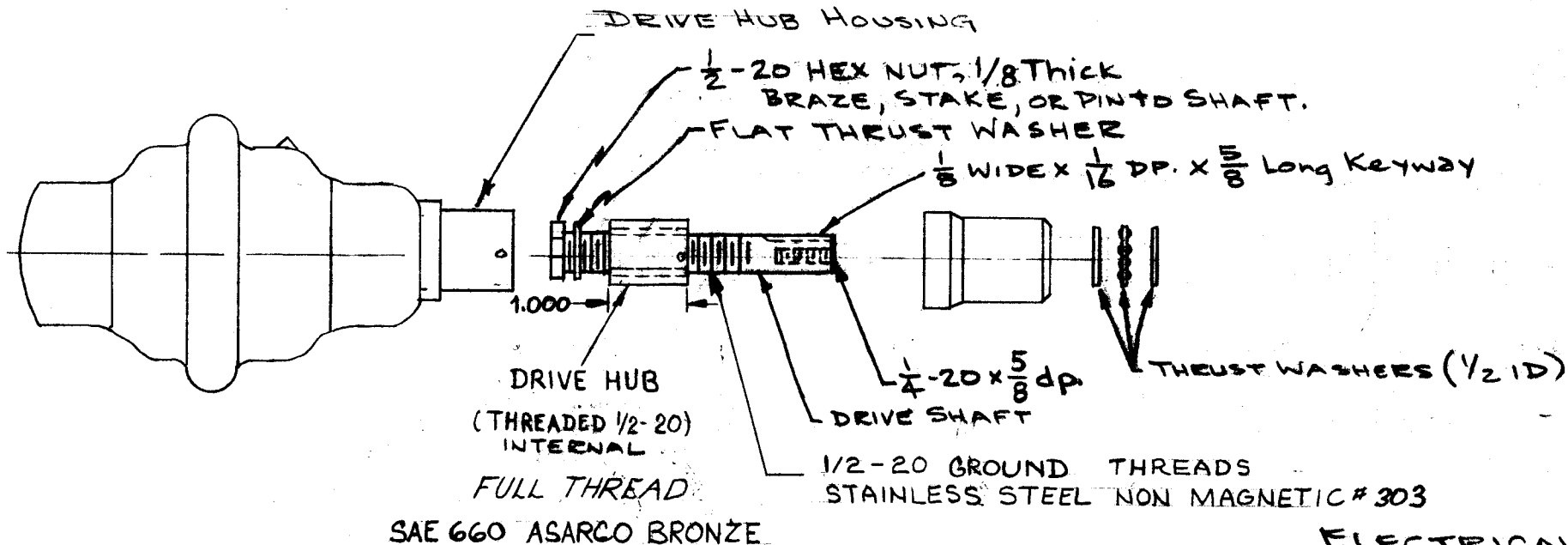


CB-149 F

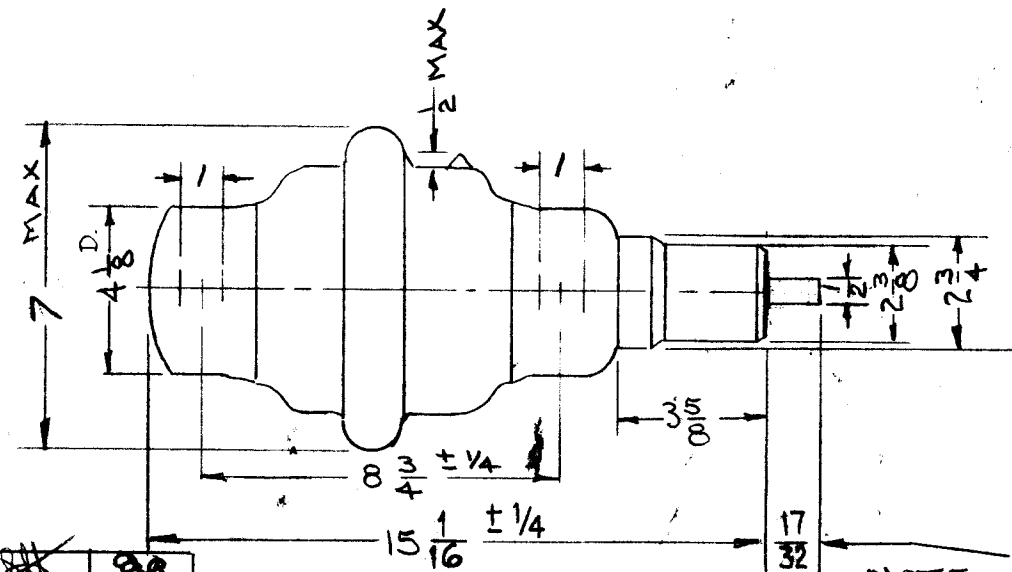


NOTICE TO PERSONS RECEIVING THIS DRAWING

THE TECHNICAL MATERIEL CORPORATION claims proprietary right in the material disclosed hereon. This drawing is issued in confidence for engineering information only and may not be reproduced or used to manufacture anything shown hereon without permission from THE TECHNICAL MATERIEL CORPORATION to the user. This drawing is loaned for mutual assistance and is subject to recall at any time.

Property of:
THE TECHNICAL MATERIEL CORPORATION
MAMARONECK, NEW YORK

ELECTRICAL SPEC:
CAPACITANCE: 25-450 μ f
VOLTAGE : 45 KV
CURRENT RATING 8 125 AMPS RMS AT 5 MC OR BELOW.



NOTE
17/32 DIM. AT MAX. CAPACITY STOP.

FINISHED ASSEMBLED CAPACITOR

MOUNTING FLANGE REF: FOR TMC USE ONLY
FIXED END FLANGE - PO-185-8
VARIABLE END FLANGE - PO-185-8

REF: VMMHC - 25-450 μ f AS MODIFIED

REQ. ITEM	PART NO.	DESCRIPTION	SYMBOL
THE TECHNICAL MATERIEL CORP. MAMARONECK, NEW YORK			
STOCK SIZE			
CAPACITOR, VARIABLE VACUUM W/ MAX. CAPACITY STOP			
MATERIAL			
TYPE & TEMPER	HEAT TREAT. SPEC.	DRAWN	CHECKED
FINISH & SPEC. NO.		ELEC. DES. APP. MECH. DES. APP.	

ISSUE ITEM	CHANGED FROM	DATE	CH. NO.	DRAFTS	CHECKER	ENG. APP.
F	1 ON TOL. CHART FRAC. DIM 1/32 ADDED	11-6-61	5815	ES	JCB	JP
	6 O/A LENGTH WAS 15 1/4					
	5 HUB METL. WAS MONEL METAL TYPE R					
	4 # 303 ADDED TO ST. STL NON MAGNETIC	5-11-61	4880	M.C.F.	JCB	JP
	3 DIM. 1.000 WAS .900					
	2 1/4-20, 5/8 DEEP WAS 1/2					
	1 1/2-20 HEX NUT WAS 3/16 THK					
D	1 On Capacitor dim 7 was 8 3/8	12/2/60	3632	RU	JCB	JP
C	2 METAL CHANGED ON DRIVE HUB	8-5-60	2686	RU	JCB	JP
	1 DIA. .900 ADDED TO DRIVE HUB					
B	2 ADD ST. STL TO 1/2-20 3/16 DIM. WAS 1/4	4-29-60	2214	CS	HQ	JP
A	1 PICTORIAL REVISED	3-22-60	-	JP	JCB	JP

TOLERANCES		SCALE: 5:101-48	
DEC. DIM. \pm 1/32			
FRAC. DIM. \pm 1/32			
ANGULAR DIM. \pm 3/32			
MAXIMUM ALLOWABLE TOLERANCES HAVE BEEN DETERMINED AND ANY DEVIATIONS WILL BE CAUSE FOR REJECTION. REMOVE ALL BURRS AND SHARP EDGES			
REQ. PER UNIT	3	MODEL	5PT-40K
		PROJECT NO.	AX, 209, AX, 244
		ASS'Y. NO.	12-10-59
		DATE	
USED ON			